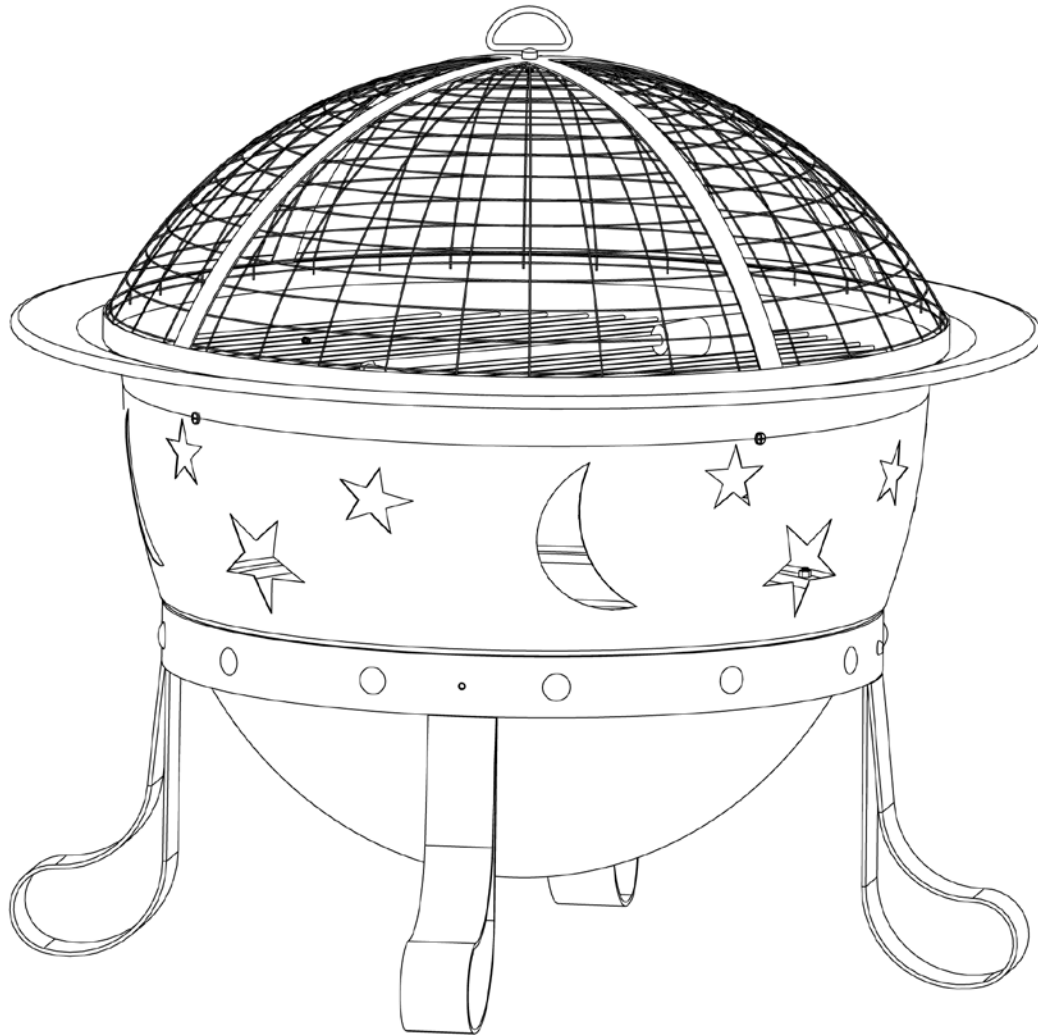


Outdoor Fireplace

Model No. WAD1081SP



WARNING
FOR YOUR SAFETY:
For Outdoor Use Only
(outside any enclosure)

WARNING
FOR YOUR SAFETY:

1. Improper installation, adjustment, alteration, service or maintenance can cause injury or property damage.
2. Read the installation, operation, and maintenance instructions thoroughly before installing or servicing this equipment.
3. Failure to follow these instructions could result in fire or explosion, which could cause property damage, personal injury, or death.
4. This instruction manual contains important information necessary for the proper assembly and safe use of the appliance.
5. Read and follow all warnings and instructions before assembling and using the appliance.
6. Follow all warnings and instructions when using the appliance.
7. Keep this manual for future reference.

WARNING
FOR YOUR SAFETY:
Do NOT store or use gasoline or other flammable liquids or vapors in the vicinity of this or any other appliance.

DANGER
Never operate this appliance unattended.

Table of Contents

Important Safeguards	Page 2
Expanded View & Hardware	3
Assembly Instructions	4
Operating Instructions	6
Cleaning and Care	6
Product Registration	6
Replacement Parts	6
Limited Warranty	6

THIS INSTRUCTION BOOKLET CONTAINS IMPORTANT SAFETY INFORMATION. PLEASE READ AND KEEP FOR FUTURE REFERENCE.

If you are assembling this unit for someone else, give this manual to them to read and save for future reference.

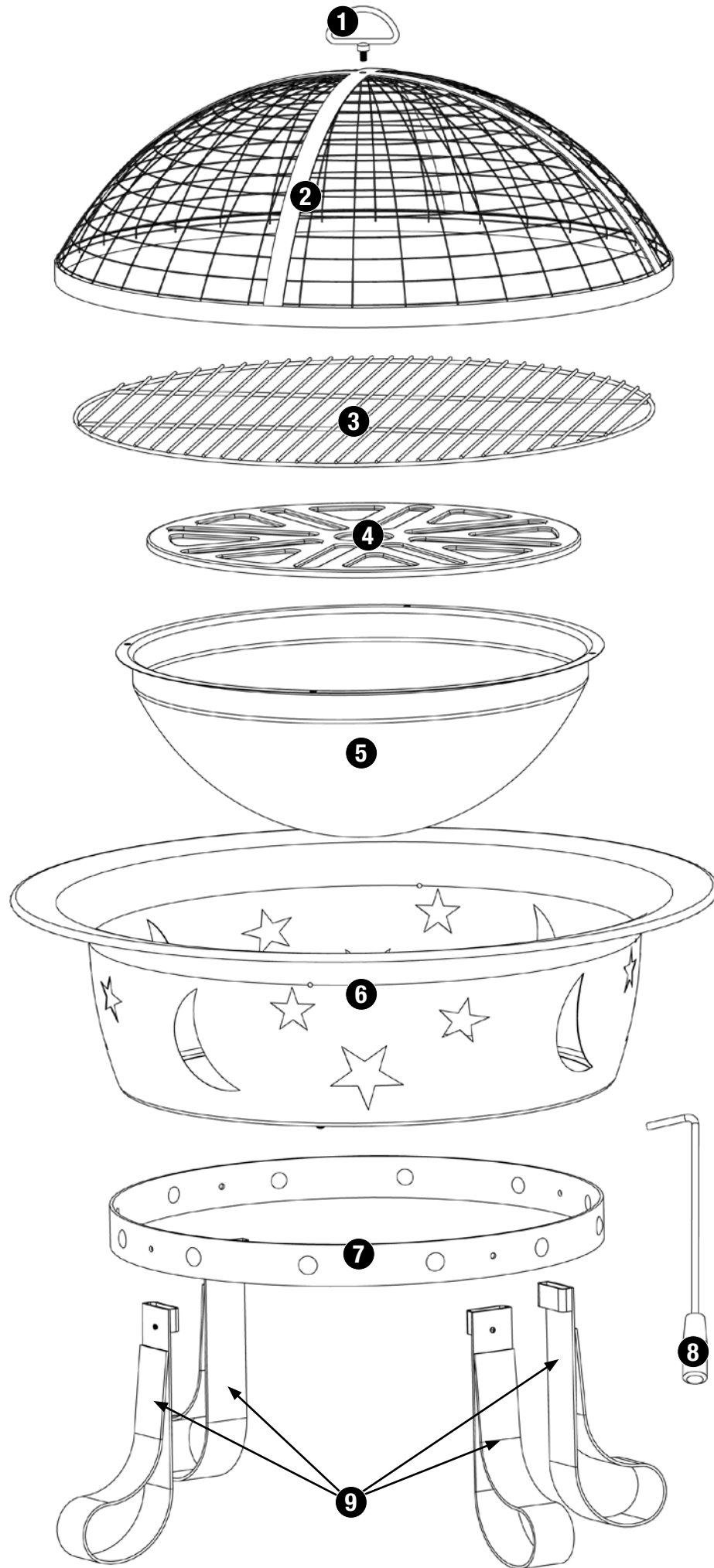
Important Safeguards

- ▲ **DANGER:** Failure to follow the dangers, warnings and cautions in this manual may result in serious bodily injury or death, or in a fire or an explosion causing damage to property.
-
- ▲ **WARNINGS:**
 - ▲ Do NOT use this outdoor fireplace without reading the entire owner's manual.
 - ▲ This appliance is for outdoor use only, and should NOT be used in a building, garage or any other enclosed area.
 - ▲ Do NOT use this outdoor fireplace for indoor heating. TOXIC carbon monoxide fumes can accumulate and cause asphyxiation.
 - ▲ This outdoor fireplace is NOT for commercial use.
 - ▲ This outdoor fireplace is safety certified for use in the United States and Canada only. Do NOT modify for use in any other location. Modification will result in a safety hazard and will void the warranty.
 - ▲ This outdoor fireplace is NOT to be operated by children.
 - ▲ Do NOT operate, light or use this appliance within ten (10) feet (3.05 m) of walls, structures or buildings.
 - ▲ Do NOT store or use gasoline, or any other flammable vapors or liquids within twenty-five (25) feet (7.62 m) of this or any other appliance.
 - ▲ Do NOT use in an explosive atmosphere. Keep outdoor fireplace area clear and free from combustible materials, gasoline and other flammable liquids.
 - ▲ Apartment dwellers: Check with management to learn the requirements and fire codes for using an outdoor fireplace in your apartment complex. If allowed, use outside on the ground floor with a ten (10) foot (3.05 m) clearance from walls or rails. Do NOT use on or under balconies.
 - ▲ Always use in accordance with all applicable local, state and national codes. Contact your local fire department for details on outdoor burning.
 - ▲ When using this outdoor fireplace, exercise the same precautions you would with any open fire.
 - ▲ This outdoor fireplace is NOT to be used in or on boats or recreational vehicles.
 - ▲ Do NOT use this outdoor fireplace under any overhead or near any unprotected combustible constructions. Avoid using near or under overhanging trees and shrubs.
 - ▲ This outdoor fireplace is designed for use with dry, seasoned hardwood. It will burn hotter, more completely and create less smoke.
 - ▲ Do NOT burn charcoal briquettes, lump charcoal, manufactured logs, driftwood, trash, leaves, paper, cardboard, plywood, painted, stained or pressure-treated wood. Avoid using softwoods such as pine or cedar, which can throw sparks.
 - ▲ Do NOT use gasoline, kerosene, diesel fuel, lighter fluid or alcohol to light or relight fires.
 - ▲ Do NOT alter this outdoor fireplace in any manner. Any alteration will void your warranty.
 - ▲ Do NOT use this outdoor fireplace until it is COMPLETELY assembled and all parts are securely fastened and tightened.
 - ▲ The use of alcohol, prescription or non-prescription drugs may impair the consumer's ability to properly assemble and/or safely operate this outdoor fireplace.
 - ▲ Do NOT use this outdoor fireplace near automobiles, trucks, vans or recreational vehicles.
 - ▲ Always use this outdoor fireplace on a hard, level, non-combustible surface such as concrete, rock or stone. An asphalt or blacktop surface may not be acceptable for this purpose. Do NOT use on wooden decks.
 - ▲ Do NOT wear flammable or loose clothing when operating this outdoor fireplace.
 - ▲ Do NOT use in windy conditions.
 - ▲ Do NOT lean over this outdoor fireplace when lighting or while in use.
 - ▲ Do NOT use this outdoor fireplace unless spark guard(s) are securely in place.
 - ▲ Keep all electrical cords away from a hot fireplace.
 - ▲ All surfaces of this outdoor fireplace are hot when in operation. To avoid burns, do NOT touch fireplace until it has completely cooled (about 45 minutes) unless you are wearing protective gear (potholders, gloves, BBQ mittens, hot pads, etc.). Never touch ashes or embers to see if they are hot.
 - ▲ Do NOT leave a lit outdoor fireplace unattended, especially around children and pets.
 - ▲ Always empty this outdoor fireplace before each use.
 - ▲ Do NOT attempt to move or store this outdoor fireplace until all ashes and embers are completely extinguished.
 - ▲ Do NOT remove ashes or embers until they are completely and fully extinguished and the outdoor fireplace has completely cooled.
 - ▲ Do NOT place wood directly into the bottom of the outdoor fireplace. Place wood only on the wood grate provided.
 - ▲ Do NOT overload the fireplace. Do NOT add additional firewood until the fire burns down. NOTICE: If any portion of the bowl, lid or spark guard(s) of this outdoor fireplace are glowing red, it is overloaded.
 - ▲ Do NOT place a hot spark guard or hot fireplace tools onto combustible surfaces such as grass, wooden deck or furniture.
 - ▲ Avoid breathing smoke from the fire and avoid getting it into your eyes.
 - ▲ This outdoor fireplace should be thoroughly inspected and cleaned on a regular basis.
 - ▲ After a period of storage and/or non-use, check for signs of damage and creosote build-up. Do NOT operate until necessary repairs and/or cleanup are executed.
 - ▲ Do NOT use oven cleaner or other abrasive cleaners as they will damage this product.
 - ▲ Do NOT clean any part of this outdoor fireplace in a self-cleaning oven as it may damage the finish.
 - ▲ Use only Blue Rhino Global Sourcing, Inc. factory-authorized parts. The use of any part that is not factory authorized can be dangerous and will void your warranty.
 - ▲ Use heat-resistant gloves or hot pads when touching handles.
 - ▲ Use long, sturdy fireplace tools when adding or moving logs.
 - ▲ Use protective gloves when assembling this product.
 - ▲ Do NOT force parts together as this can result in personal injury or damage to this product.
 - ▲ Deaths, serious injury or damage to property may occur if the above is not followed exactly.

Parts List

1	Handle	58-11-013
2	Spark Guard	58-11-014
3	Cooking Grid	58-11-015
4	Wood Grate	58-11-016
5	Bowl A	58-11-017
6	Bowl B	58-11-018
7	Bowl Support	58-11-019
8	Fireplace Tool	58-11-009
9	Leg (4)	58-11-021

Expanded View



Hardware

A	Screw	M5x20 Nickel Plated	4 pcs
B	Bolt	M6x10 Nickel Plated	4 pcs
C	Nut	M5 Nickel Plated	8 pcs
D	Nut	M6 Nickel Plated	1 pc
E	Lock Washer	ø5 Nickel Plated	4 pcs

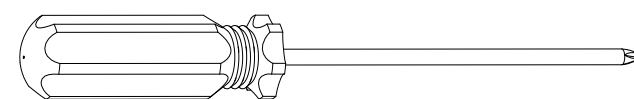
Tools Required for Assembly (Included)

Allen Wrench



Tools Required for Assembly (Not Included)

#2 Phillips Head Screwdriver



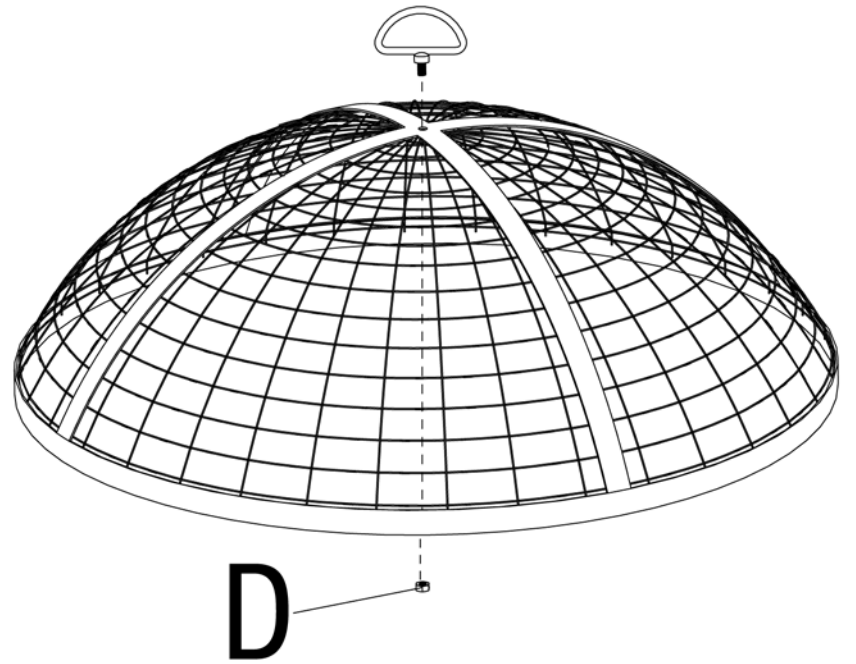
Assembly Instructions
1
DO NOT RETURN TO PLACE OF PURCHASE.

For assistance, call **1.800.762.1142** toll-free. Please have your owner's manual and model number available for reference.

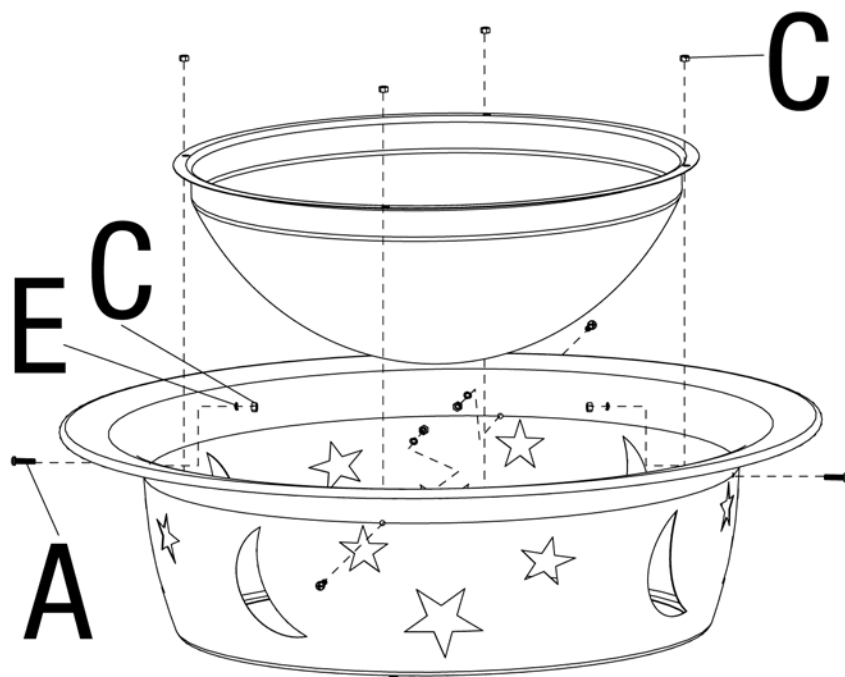
For Easiest Assembly:

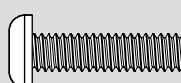
1. Select an area where you will assemble this product. To protect components, choose a smooth surface that's free of cracks or openings.
2. Spread out all parts.
3. Tighten all hardware connections by hand first. Then, before completing each step, go back and fully tighten all hardware. Be careful not to overtighten. That could damage surfaces or strip threads.
4. For best results, complete each step in the order presented.

Typical assembly: approximately 30 minutes.

2
Attach Handle


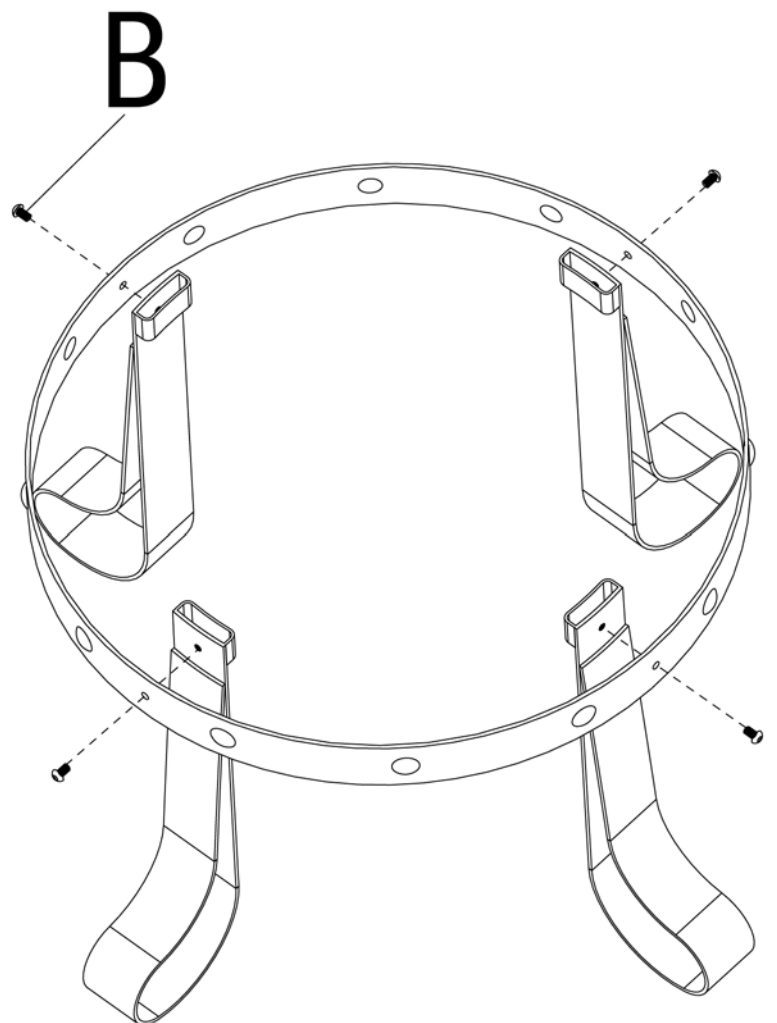
D  x1

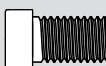
3
Assemble Bowl


A  x4

C  x8

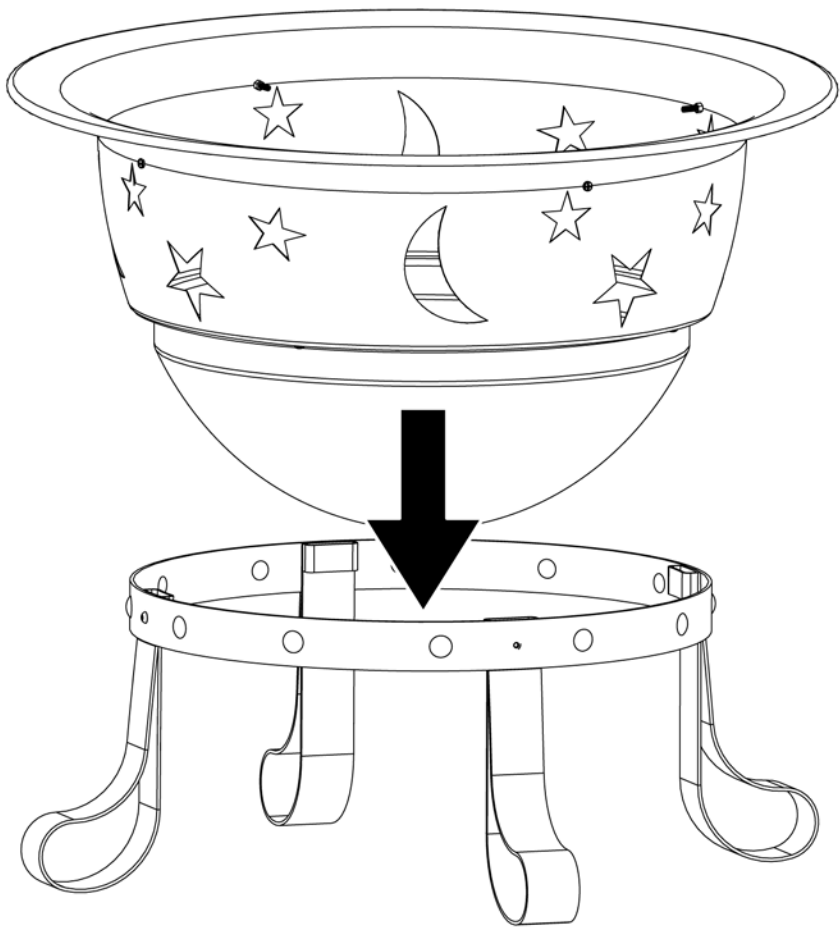
E  x4

4
Assemble Base


B  x4

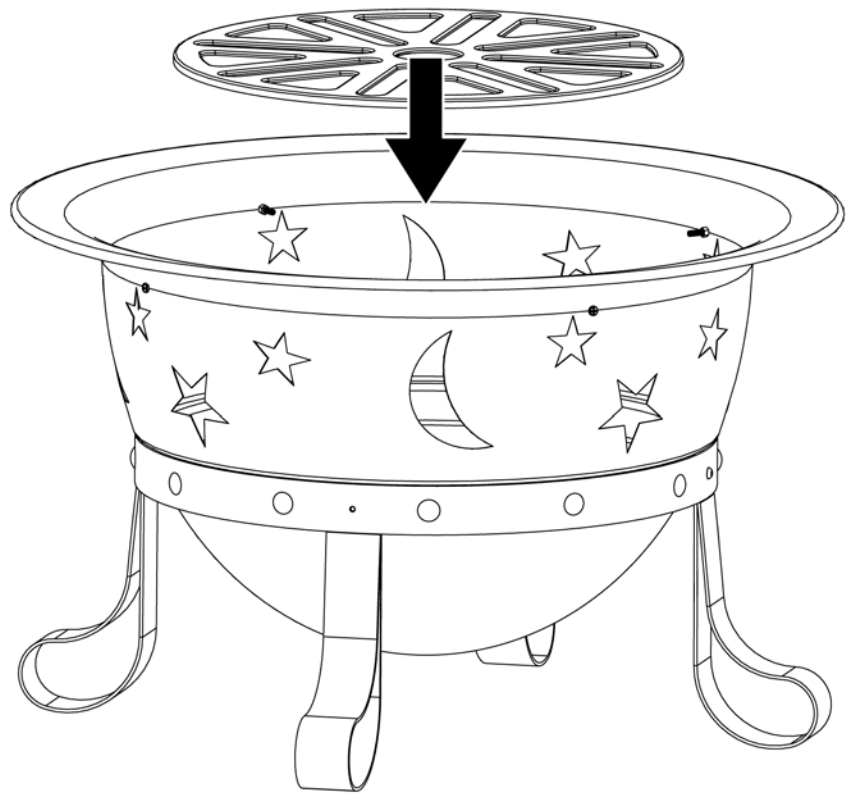
5

Insert Bowl



6

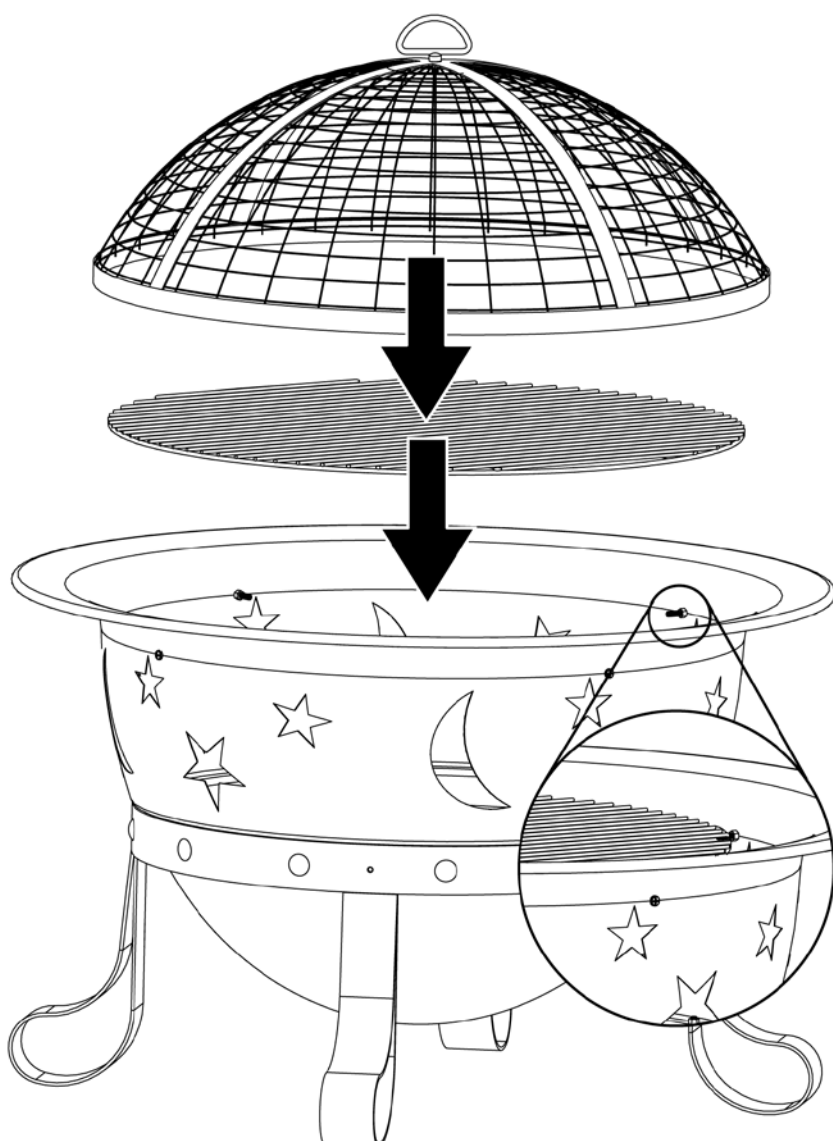
Insert Wood Grate



7

Insert Cooking Grid and Spark Guard

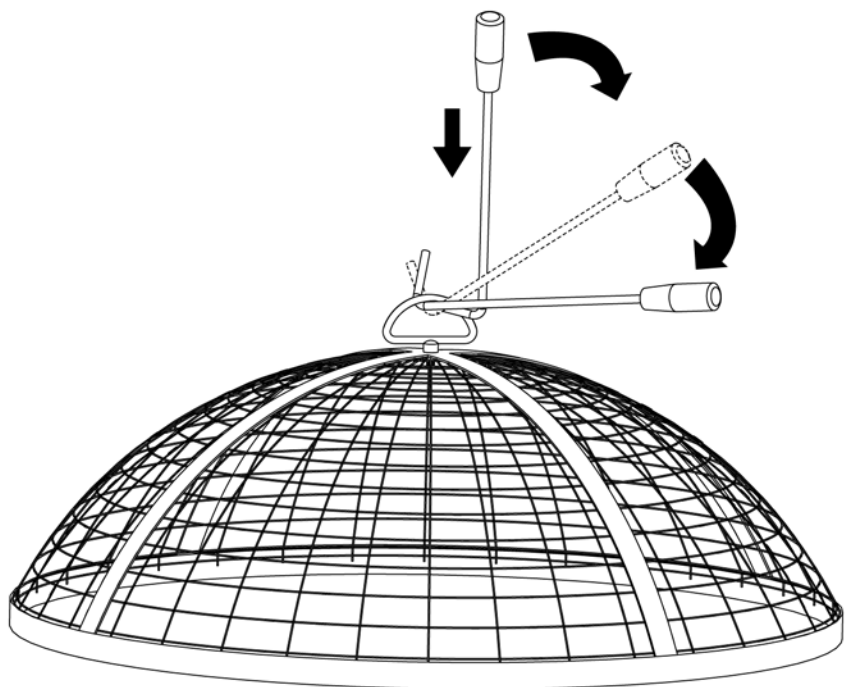
Note: Do NOT place more than 46.5 lbs of weight on cooking grid.



8

Fireplace Tool

▲ WARNING: Use heat-resistant gloves or hot pads.



Operating Instructions

- ▲ WARNING:** Before using this outdoor fireplace, make sure you read, understand and are following all information provided in “Important Safeguards” on page 2. Failure to follow those instructions can cause death, serious injury or property damage.

Lighting with Wood

1. Make sure there is no ash in the bottom of the bowl.
 2. Place a layer of dry kindling or a natural firestarter such as Fatwood™ on the center of the grate.
 3. Above that, place a layer of dry, seasoned hardwood that is cut to lengths of no more than ¾ the diameter of the bowl.
- ▲ CAUTION:** Do NOT add gasoline, kerosene, diesel fuel, lighter fluid or alcohol to re-light or enhance an existing fire.
4. Use a long match to light kindling or firestarter.
 5. Once the kindling or firestarter is lit, use heat resistant gloves and a fireplace tool to replace spark guard.

Tending the Fire

You may need to shift and/or add logs for an ideal experience.

- ▲ CAUTION:** Do NOT place hot fireplace tools onto combustible surfaces such as grass, wooden decks or furniture.

1. Using heat resistant gloves and a fireplace tool, carefully remove spark guard.
2. While using a long-handled fireplace tool, shift coals and logs to allow additional airflow.

- ▲ CAUTION:** Do NOT add gasoline, kerosene, diesel fuel, lighter fluid or alcohol to re-light or enhance an existing fire.

3. Wait until glowing embers have developed before adding any additional wood. If additional wood is needed, carefully place wood on top of embers.
4. Use heat resistant gloves and a fireplace tool to replace spark guard.

Extinguishing

1. Allow fire to burn itself out.
2. Do NOT use water to extinguish the fire. This can be dangerous and cause damage.

Cleaning and Care

▲ CAUTION:

1. All cleaning and maintenance should be done when appliance is cool and with the fuel supply removed.
2. DO NOT clean any part of this appliance in a self-cleaning oven. The extreme heat will damage the finish.

Inspecting

This outdoor fireplace should be inspected on a regular basis to ensure product safety and longer product life.

- ▲ CAUTION:** Do NOT attempt to inspect this outdoor fireplace until the fire is COMPLETELY out and the fireplace has cooled.

1. Check handles to make sure they are secure.
2. Check components for any signs of damage or rust.
3. If damage to any component is detected, do NOT operate until repairs are completed.

Cleaning

This outdoor fireplace should be cleaned on a regular basis to ensure product safety and longer product life.

Note: After repeated use, a slight discoloration of the finish may occur.

- ▲ CAUTION:** Do NOT attempt to clean this outdoor fireplace until the fire is COMPLETELY out and the fireplace has cooled.

- ▲ CAUTION:** Do NOT use oven cleaner or abrasive cleaners as they will damage this product.

- ▲ CAUTION:** Do NOT clean any part of this outdoor fireplace in a self-cleaning oven as it may damage the finish.

1. Wipe exterior surfaces with a mild dishwashing detergent or baking soda.
2. For stubborn stains, use a citrus-based degreaser and a nylon scrubbing brush.
3. Rinse clean with water.
4. Remove built-up creosote from components with a chimney cleaning product.

Tip: Keeping the outdoor fireplace covered when cooled and not in use will help protect it from the elements.

Cleaning and Care (continued)

Storage

- ▲ CAUTION:** Do NOT move or store this outdoor fireplace until the fire is COMPLETELY out and the fireplace has cooled.

1. Once the fire is out, embers are cold and outdoor fireplace is cool to the touch, remove and properly dispose of the ashes.
2. Store the outdoor fireplace assembled in a cool, dry location away from children and pets.

Product Registration

For faster warranty service, please register your product immediately. To register, go to BlueRhino.com/warranty or call 1.800.762.1142.

Replacement Parts

For replacement parts, visit parts.BlueRhino.com or call 1.800.762.1142.

Limited Warranty

Blue Rhino Global Sourcing, Inc. (“Blue Rhino”) warrants to the original retail purchaser of this product, and to no other person, that if this product is assembled, maintained, and operated in accordance with the printed instructions accompanying it, then for a period of one (1) year from the date of purchase, all parts in such product shall be free from defects in material and workmanship. Blue Rhino may require reasonable proof of your date of purchase. Therefore, you should retain your sales slip or invoice. This Limited Warranty shall be limited to the repair or replacement of parts, which prove defective under normal use and service and which Blue Rhino shall determine in its reasonable discretion upon examination to be defective. Before returning any parts, you should contact Blue Rhino’s Customer Service Department using the contact information listed below. If Blue Rhino confirms, after examination, a defect covered by this Limited Warranty in any returned part, and if Blue Rhino approves the claim, Blue Rhino will replace such defective part without charge. If you return defective parts, transportation charges must be prepaid by you. Blue Rhino will return replacement parts to the original retail purchaser, freight or postage prepaid.

This Limited Warranty does not cover any failures or operating difficulties due to accident, abuse, misuse, alteration, misapplication, improper installation or improper maintenance or service by you or any third party, or failure to perform normal and routine maintenance on the product as set out in this owner’s manual. In addition, the Limited Warranty does not cover damage to the finish, such as scratches, dents, discoloration, rust or other weather damage, after purchase.

This Limited Warranty is in lieu of all other express warranties. Blue Rhino disclaims all warranties for products that are purchased from sellers other than authorized retailers or distributors, including the warranty of merchantability or the warranty of fitness for a particular purpose. BLUE RHINO ALSO DISCLAIMS ANY AND ALL IMPLIED WARRANTIES, INCLUDING WITHOUT LIMITATION THE IMPLIED WARRANTIES OF MERCHANTABILITY AND FITNESS FOR A PARTICULAR PURPOSE. BLUE RHINO SHALL HAVE NO LIABILITY TO PURCHASER OR ANY THIRD PARTY FOR ANY SPECIAL, INDIRECT, PUNITIVE, INCIDENTAL, OR CONSEQUENTIAL DAMAGES. Blue Rhino further disclaims any implied or express warranty of, and assumes no responsibility for, defects in workmanship caused by third parties.

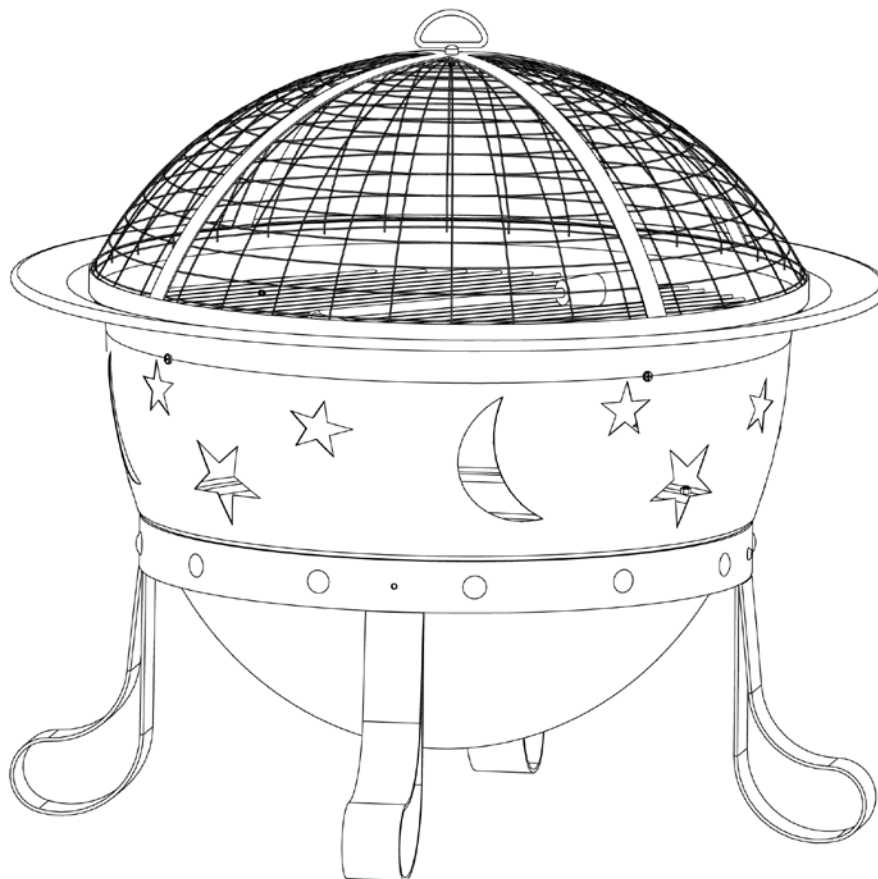
This Limited Warranty gives the purchaser specific legal rights; a purchaser may have other rights depending upon where he or she lives. Some jurisdictions do not allow the exclusion or limitation of special, incidental or consequential damages, or limitations on how long a warranty lasts, so the above exclusion and limitations may not apply to everyone.

Blue Rhino does not authorize any person or company to assume for it any other obligation or liability in connection with the sale, installation, use, removal, return, or replacement of its equipment, and no such representations are binding on Blue Rhino.

Blue Rhino Global Sourcing, Inc.
 Winston-Salem, North Carolina 27105 USA
 1.800.762.1142

Foyer d'extérieur

Modèle n° WAD1081SP



AVERTISSEMENT

POUR VOTRE SÉCURITÉ :

Pour usage à l'extérieur seulement
(hors de tout abri clos)



AVERTISSEMENT

POUR VOTRE SÉCURITÉ :

1. Toute installation défectueuse ou modification incorrecte ainsi que tout mauvais réglage ou entretien incorrect risque d'entraîner des blessures ou des dégâts matériels.
2. Lire complètement les instructions d'installation, d'utilisation et d'entretien avant de procéder à la maintenance de l'appareil ou à son entretien.
3. Le non-respect de ces consignes risque de provoquer un incendie ou une explosion et entraîner des dégâts matériels, des blessures graves voire la mort.
4. Cette notice contient des renseignements importants permettant un assemblage adéquat et à une utilisation sécuritaire de l'appareil.
5. Lire et suivre toutes les mises en garde et toutes les instructions avant l'assemblage et l'utilisation de l'appareil.
6. Suivre toutes les mises en garde et toutes les instructions lors de l'utilisation de l'appareil.
7. Conserver cette notice pour consultation ultérieure.



AVERTISSEMENT

POUR VOTRE SÉCURITÉ :

Ne pas utiliser ni entreposer d'essence ou de liquides présentant des vapeurs inflammables dans le voisinage de cet appareil ou de tout autre appareil.



DANGER

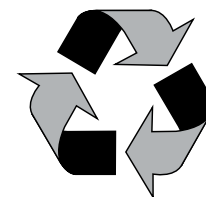
Ne jamais laisser cet appareil allumé sans surveillance.

Table des matières

Consignes de sécurité importantes	Page 2
Vue éclatée des pièces et quincaillerie	3
Instructions d'assemblage	4
Fonctionnement	6
Nettoyage et entretien	6
Enregistrement de l'appareil	6
Pièces de rechange	6
Garantie limitée	6

CE MANUEL D'UTILISATION CONTIENT DE L'INFORMATION IMPORTANTE CONCERNANT LA SÉCURITÉ. VEUILLEZ LIRE ET CONSERVER CE MANUEL AFIN DE POUVOIR LE CONSULTER ULTÉRIEUREMENT.

Si vous êtes en train d'assembler cet appareil pour une autre personne, veuillez lui fournir le manuel afin qu'elle puisse le consulter plus tard.



Fabriqué à partir de 75% de bagasse de canne à sucre (résidu de pulpe de canne à sucre sans danger pour l'environnement)

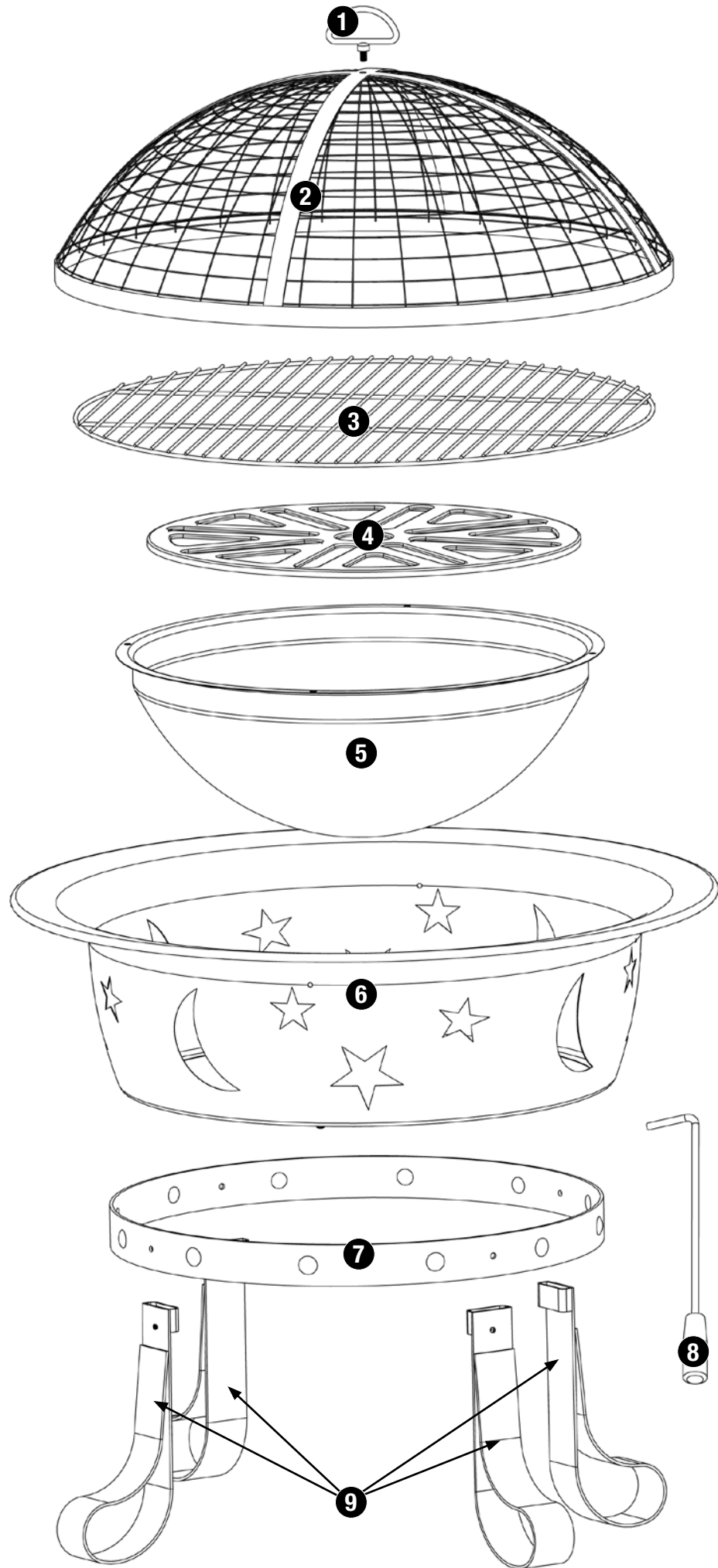
Consignes de sécurité importantes

- ▲ **DANGER** : Le non-respect des avis de danger, des mises en garde et des consignes de sécurité de ce manuel risque de provoquer un incendie ou une explosion et d'entraîner des dégâts matériels, des blessures graves voire la mort.
- ▲ **AVERTISSEMENT** :
- ▲ **NE PAS** utiliser ce foyer d'extérieur avant de lire toutes les instructions de ce manuel d'utilisation.
- ▲ Ce foyer d'extérieur doit être utilisé uniquement à l'extérieur et ne doit PAS être utilisé dans un immeuble, un garage ou tout autre espace clos.
- ▲ **NE PAS** utiliser le foyer d'extérieur pour se chauffer ou pour cuisiner à l'intérieur. Des émanations **TOXIQUES** de monoxyde de carbone peuvent s'accumuler et provoquer l'asphyxie.
- ▲ Ce foyer d'extérieur N'est PAS destiné à un usage commercial.
- ▲ Ce foyer d'extérieur est homologué afin de pouvoir être utilisé en toute sécurité uniquement aux États-Unis et au Canada. Ne pas modifier le foyer en vue de l'utiliser autre part. Toute modification présentera un danger pour l'utilisateur et entraînera l'annulation de la garantie.
- ▲ Ce foyer d'extérieur **NE** doit pas être utilisé par des enfants.
- ▲ **NE PAS** utiliser ou allumer cet appareil à moins de dix (10) pieds (3,05 m) de tout mur, construction ou immeuble.
- ▲ **NE PAS** utiliser ni entreposer d'essence ou de liquides présentant des vapeurs inflammables à moins de 25 pieds (7,62 m) de cet appareil ou de tout autre appareil.
- ▲ **NE PAS** utiliser le foyer d'extérieur en présence de vapeurs et d'émanations explosives. Veiller à ce que la zone autour du foyer demeure dégagée et dépourvue de matières combustibles, d'essence et d'autres liquides et vapeurs inflammables.
- ▲ Avis aux personnes habitant en appartements : Vérifier auprès de la gérance pour connaître les conditions requises, la réglementation et le code de prévention des incendies de votre complexe d'habitations collectives. Si permis, utiliser le foyer en le posant au sol en laissant une distance de sécurité de dix (10) pieds (3,05 m) entre le foyer et tout mur ou rampe/rambarde. Ne pas utiliser sous un balcon.
- ▲ Veiller à toujours utiliser le foyer d'extérieur conformément aux codes locaux, nationaux et de votre province. Contactez les pompiers et les services de lutte contre les incendies pour plus d'information concernant l'incinération l'extérieur et la prévention des incendies.
- ▲ Lors de l'utilisation du foyer d'extérieur, faire preuve des mêmes précautions que lorsqu'il s'agit d'un feu normal en plein air.
- ▲ **NE PAS** utiliser le foyer d'extérieur à bord d'un bateau ou d'un véhicule récréatif.
- ▲ **NE PAS** utiliser ce foyer d'extérieur sous un abri, une structure suspendue ou en saillie ou à proximité de toute construction combustible non-protégée. Éviter d'utiliser cet appareil à proximité d'arbres ou de buissons ou sous ces derniers.
- ▲ Ce foyer d'extérieur doit être utilisé avec du bois sec et desséché. Ce type de bois brûlera en générant plus de chaleur et créera moins de fumée.
- ▲ **NE PAS** utiliser le foyer afin de brûler des briquettes de charbon de bois, du charbon, des bûches en bois d'aggloméré, du bois ayant séjourné dans l'eau, des ordures, des feuilles, du papier, du carton, du contreplaqué, du bois peint ou du bois imprégné sous pression. Éviter d'utiliser du bois tendre tel que du pin ou du cèdre car il risque de provoquer des étincelles.
- ▲ **NE PAS** utiliser de liquides inflammables tels que l'essence, l'alcool, le carburant diesel, du pétrole lampant, ou du liquide allume-barbecue pour allumer ou rallumer le feu.
- ▲ **NE** modifier en aucune façon ce foyer d'extérieur. Toute modification entraînera l'annulation de la garantie.
- ▲ **NE PAS** utiliser le foyer d'extérieur à moins qu'il ne soit **COMPLÈTEMENT** assemblé et que les pièces ne soient toutes fixées et serrées.
- ▲ La prise d'alcool, de médicaments ou de drogues risque de nuire à l'aptitude de l'utilisateur à assembler ou à utiliser le foyer d'extérieur en toute sécurité.
- ▲ **NE PAS** utiliser le foyer d'extérieur à proximité de voitures, de camions, de camionnettes ou de véhicules récréatifs.
- ▲ Placer toujours le foyer d'extérieur sur une surface plane, dure et non combustible telle que du béton ou de la pierre. Il est déconseillé de le placer sur de l'asphalte ou du bitume. **NE PAS** le placer sur une terrasse en bois.
- ▲ **NE PAS** porter de vêtements inflammables ou amples en utilisant le foyer d'extérieur.
- ▲ **NE PAS** utiliser le foyer d'extérieur par grand vent.
- ▲ **NE PAS** se pencher au-dessus du foyer d'extérieur pour l'allumer ou s'il est déjà allumé.
- ▲ **NE PAS** utiliser le foyer d'extérieur si le pare-étincelles n'est pas correctement installé.
- ▲ Veiller à ce que les câbles et cordons électriques demeurent toujours loin du foyer d'extérieur lorsqu'il est chaud.
- ▲ Toute la surface du foyer d'extérieur est chaude lorsqu'il fonctionne.
- ▲ Pour éviter tout risque de brûlure, **NE PAS** toucher le foyer d'extérieur avant qu'il n'ait complètement refroidi (environ 45 minutes) à moins de porter des vêtements de protection (gants, maniques, attirail de barbecue, etc.). Ne jamais toucher les cendres ni les braises afin de vérifier si elles sont chaudes.
- ▲ **NE PAS** laisser un foyer d'extérieur sans surveillance surtout si des enfants ou des animaux domestiques ou de compagnie sont à proximité.
- ▲ Veiller à toujours vider le foyer d'extérieur avant chaque utilisation.
- ▲ **NE PAS** tenter de déplacer ou de remiser le foyer d'extérieur avant que les cendres ou les braises ne soient complètement éteintes.
- ▲ **NE PAS** retirer les cendres ni les braises avant qu'elles ne soient complètement éteintes et que le foyer ait complètement refroidi (environ 45 minutes).
- ▲ **NE PAS** placer le bois directement dans le fond du foyer d'extérieur.
- ▲ Placer le bois uniquement sur la grille réservée à cet effet.
- ▲ **NE PAS** trop charger le foyer. Ne pas rajouter de bois avant que le feu ait diminué. **AVIS** : Si une partie quelconque de la cuve, du couvercle ou du pare-étincelles du foyer d'extérieur est rougeoyante, il a été trop chargé.
- ▲ **NE PAS** laisser un pare-étincelles chaud ou un accessoire de foyer chaud reposer sur une surface combustible telle que de l'herbe, une terrasse en bois ou sur un meuble.
- ▲ Éviter de respirer la fumée du foyer d'extérieur et éviter tout contact avec les yeux.
- ▲ Ce foyer d'extérieur doit être vérifié et nettoyé en entier régulièrement.
- ▲ Après une période de remisage ou si le foyer d'extérieur n'a pas été utilisé pour une certaine période, s'assurer que le foyer n'est pas endommagé et ne présente pas de traces de créosote. **NE PAS** utiliser le foyer d'extérieur s'il s'avère nécessaire de le réparer ou de le nettoyer.
- ▲ **NE PAS** utiliser de produits de nettoyage abrasives car ils risquent d'endommager cet appareil.
- ▲ **NE** placer aucune pièce du foyer d'extérieur dans un four autonettoyant car cela risque d'endommager le fini de la pièce.
- ▲ Utiliser uniquement des pièces agréées de l'usine Blue Rhino Global Sourcing, Inc. L'emploi de toute pièce non agréée peut être dangereuse et entraînera l'annulation de la garantie.
- ▲ Porter de gants de protection résistants à la chaleur ou de maniques pour tenir les poignées.
- ▲ Utiliser des accessoires de foyer ou de cheminée longs et résistants pour ajouter ou déplacer des bûches
- ▲ Utiliser des gants de protection pour assembler cet article.
- ▲ Ne pas forcer les pièces les unes dans les autres afin d'éviter toute blessure et éviter d'endommager cet article.
- ▲ Les consignes ci-dessus doivent être strictement respectées et le non-respect de ces consignes risque de provoquer des dégâts matériels ou d'entraîner des blessures graves voire la mort.

Liste des pièces

1	Poignée	58-11-013
2	Pare-étincelles	58-11-014
3	Grille de cuisson	58-11-015
4	Grille à bûches	58-11-016
5	Cuve A	58-11-017
6	Cuve B	58-11-018
7	Support de la cuve	58-11-019
8	Accessoire de foyer	58-11-009
9	Pied (4)	58-11-021

Vue éclatée



Quincaillerie

A	Vis	Nickelée, M5x20	4 pcs
B	Boulon	Nickelée, M6x10	4 pcs
C	Écrou	Nickelé, M5	8 pcs
D	Écrou	Nickelé, M6	1 pc
E	Rondelle de blocage	Nickelé, ø5	4 pcs

Outils requis pour l'assemblage (fournis)

Clé allen	2 pcs
-----------	-------

Outils requis pour l'assemblage (non fournis)

Tournevis cruciforme Phillips n° 2	1 pc
------------------------------------	------

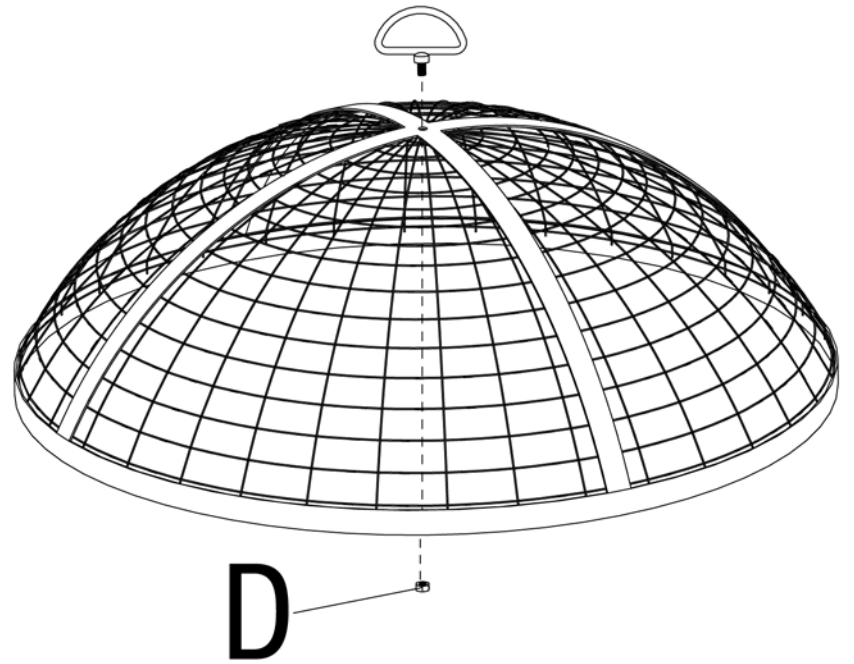
Instructions d'assemblage
1
NE PAS RETOURNER AU MAGASIN AVEC CET ARTICLE.

Pour toute assistance technique, appelez le numéro sans frais **1.800.762.1142**. Faites en sorte que votre manuel d'utilisation et le numéro de série soient à portée de main afin de pouvoir vous y référer.

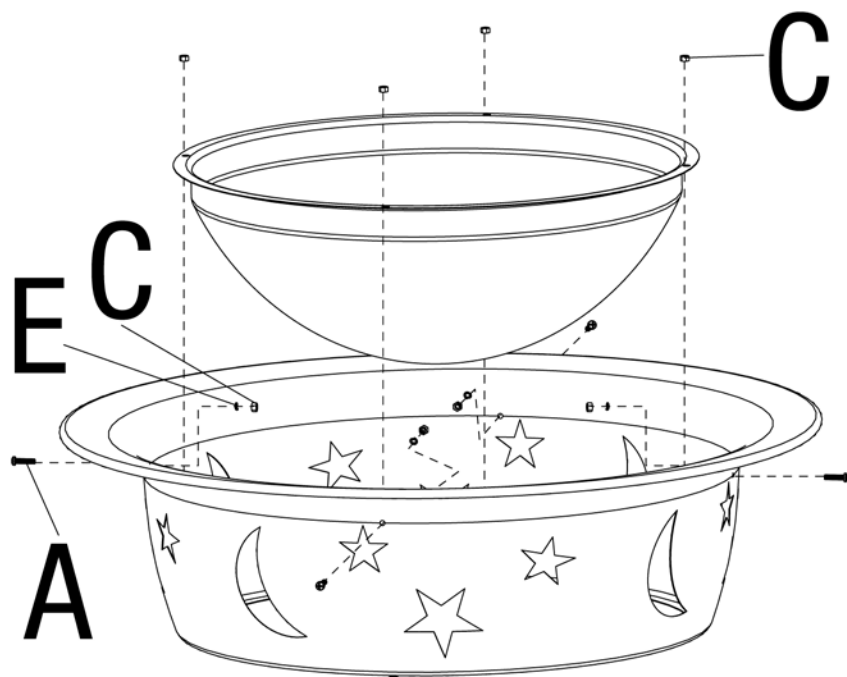
Pour faciliter l'assemblage :

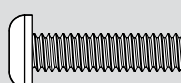
1. Choisissez l'endroit où vous comptez assembler cet article. Pour éviter de perdre des petites pièces ou la quincaillerie d'installation, assemblez cet article sur une surface plane, lisse et non abrasive qui ne comporte pas de trous ni de fissures.
2. Étalez toutes les pièces et la quincaillerie d'installation.
3. Serrez à la main toute les fixations et la visserie en premier. Une fois l'étape terminée, serrez-les complètement en veillant à ne pas trop les serrer afin d'éviter d'endommager la surface de l'appareil et de fausser le filetage.
4. Suivez toutes les étapes dans l'ordre afin d'assembler correctement cet article.

Temps d'assemblage : environ 30 minutes.

2
Fixez la poignée


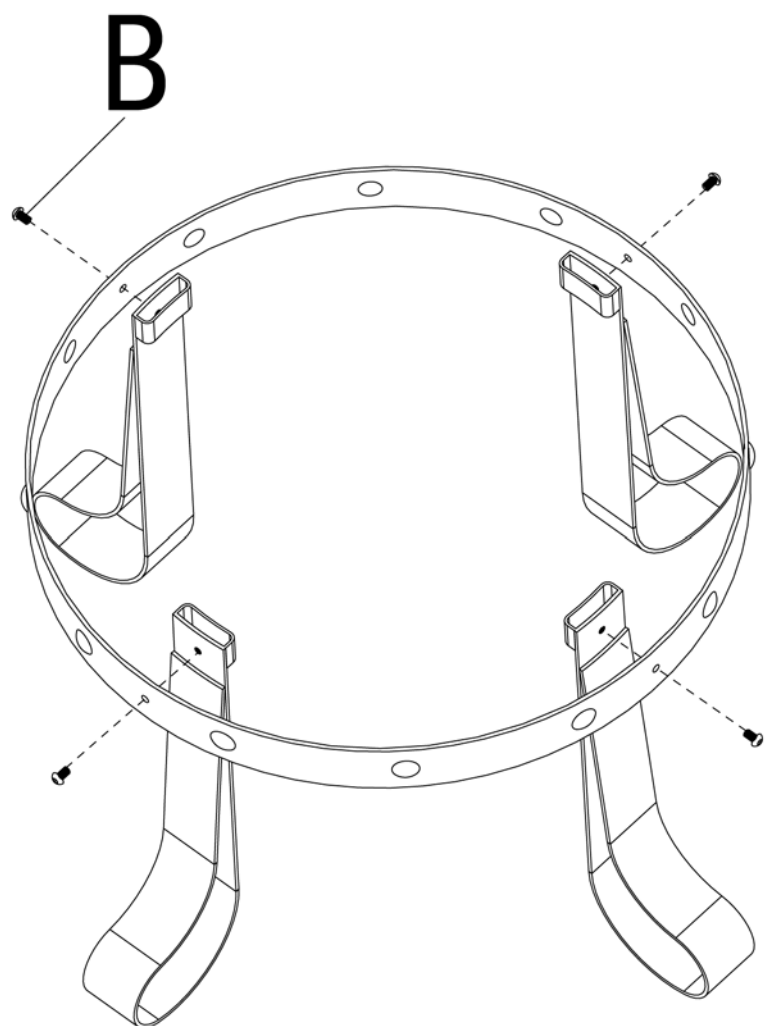
D  x1

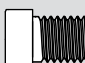
3
Assemblez le foyer


A  x4

C  x8

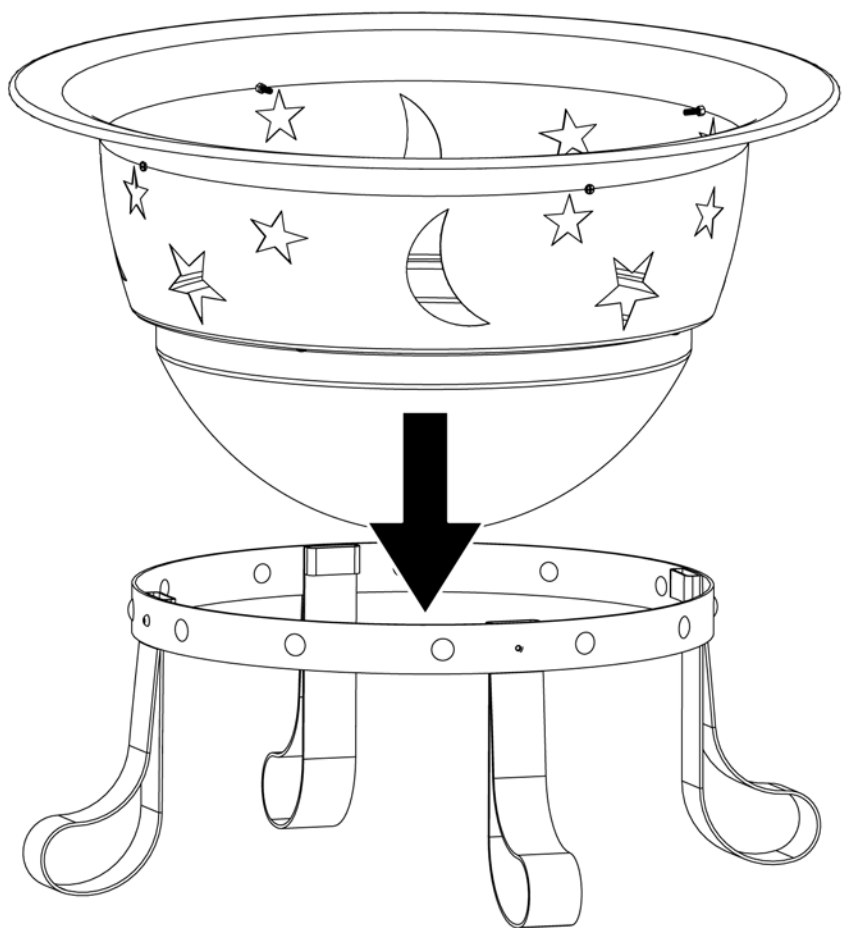
E  x4

4
Assemblez le socle


B  x4

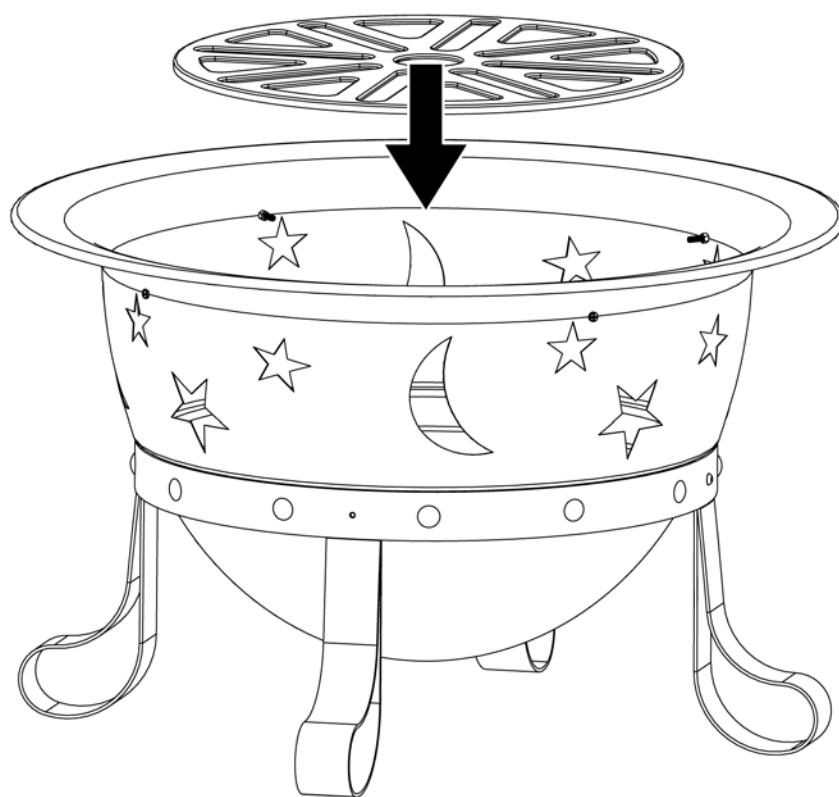
5

Placez la cuve



6

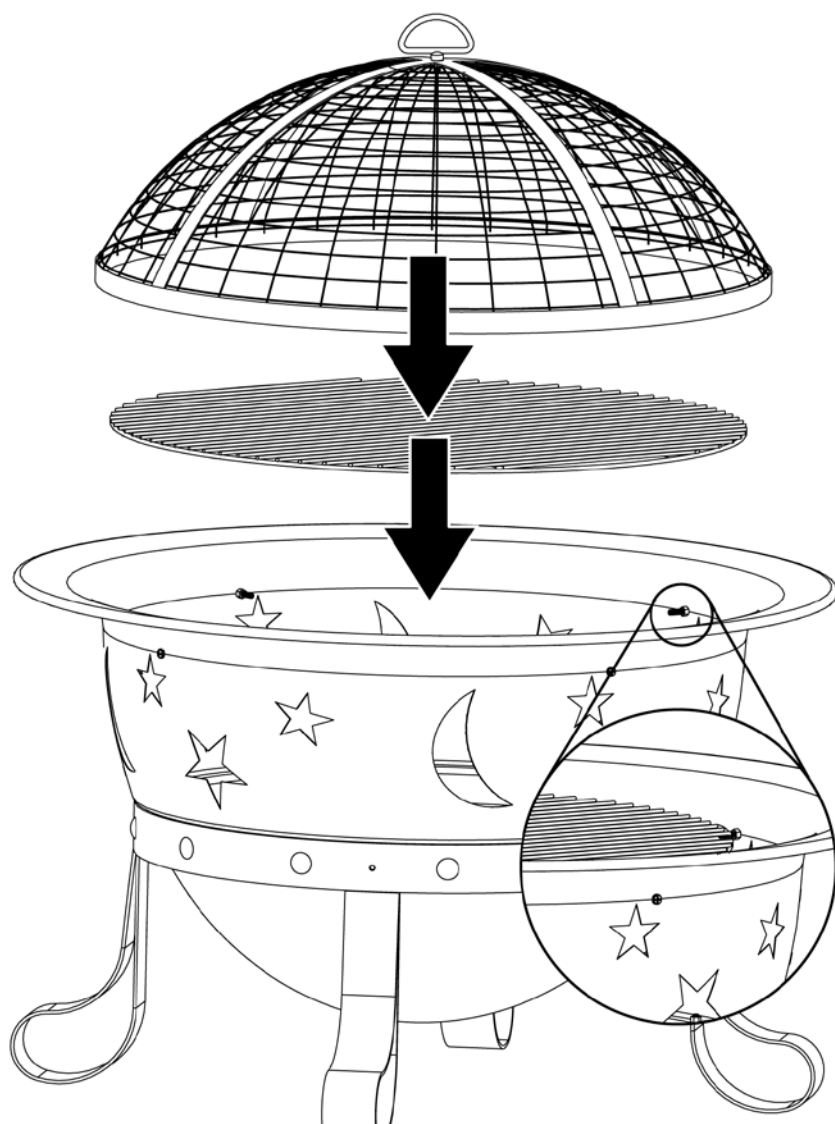
Placez la grille à bûches



7

Placez la grille de cuisson et le pare-étincelles

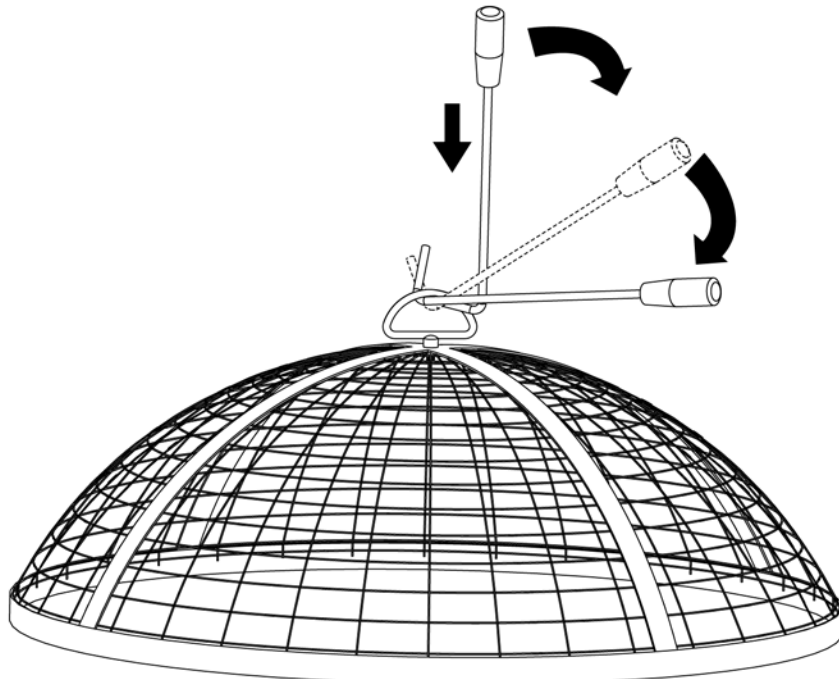
Remarque : NE PAS placer plus de 21 kg (46,5 lb) sur une grille de cuisson.



8

Accessoire de foyer

▲ AVERTISSEMENT : utiliser des gants isothermes ou des maniques.



Fonctionnement

- ▲ AVERTISSEMENT : Avant d'utiliser ce foyer d'extérieur, veuillez lire, comprendre et suivre toutes les informations figurant dans les Consignes de sécurité importantes de la page 2. Le non-respect de ces consignes risque de provoquer des dégâts matériels, des blessures graves voire la mort.**

Allumer le foyer d'extérieur contenant du bois

1. Assurez-vous qu'il n'y a pas de cendres au fond de la cuve du foyer et du cendrier.
2. Placez une couche de brindilles sèches ou un allume-feu naturel tel que du Fatwood™ au centre de la grille.
3. Placez au-dessus de cette couche du bois sec dont la longueur ne dépassera pas les $\frac{3}{4}$ du diamètre de la cuve du foyer.

- ▲ ATTENTION : NE PAS utiliser de l'essence, de l'alcool, du carburant diesel, du pétrole lampant, du liquide allume-barbecue ou de l'alcool pour allumer ou raviver le feu.**

4. Utilisez une allumette pour mettre le feu aux brindilles ou à l'allume-feu.
5. Une fois que le feu a pris, utilisez des gants de protection résistants à la chaleur et un accessoire de foyer afin de remettre en place le pare-étincelles.

Entretenir le feu

Vous devrez probablement déplacer et/ou ajouter quelques bûches pour une chaleur optimale.

- ▲ ATTENTION : NE PAS laisser des accessoires de foyer chauds reposer sur une surface combustible telle que de l'herbe, une terrasse en bois ou sur un meuble.**

1. Ouvrez la porte avec précaution en utilisant des gants de protection résistants à la chaleur, un accessoire de foyer à long manche
2. Utilisez un accessoire de foyer à long manche et disposez les braises, morceaux de charbon et bûches afin de permettre un débit d'air supplémentaire.

- ▲ ATTENTION : NE PAS utiliser de l'essence, de l'alcool, du carburant diesel, du pétrole lampant, du liquide allume-barbecue ou de l'alcool pour allumer ou reviver le feu.**

3. Attendez que des morceaux de charbon de bois soient rougeoyants et incandescents avant de rajouter du bois. Si vous devez rajouter du bois, placez le bois sur les braises. Faites attention à ne pas déplacer les cendres.
4. Fermez la porte avec précaution en utilisant des gants de protection résistants à la chaleur.

Éteindre le foyer d'extérieur

1. Laissez le feu s'éteindre de lui-même.
2. NE PAS utiliser d'eau pour éteindre le feu car vous risquez d'endommager le foyer d'extérieur.

Nettoyage et entretien

- ▲ ATTENTION :**

1. **Tout nettoyage ou entretien doit être effectué lorsque cet article est froid et après avoir retiré la matière combustible.**
2. **NE placer aucune pièce de cet article dans un four autonettoyant. La chaleur extrême endommagera le fini de cet article.**

Inspecter le foyer d'extérieur

Ce foyer d'extérieur doit être vérifié régulièrement pour qu'il fonctionne en toute sécurité et afin d'en assurer la pérennité.

- ▲ AVERTISSEMENT : NE PAS tenter de vérifier le foyer d'extérieur avant que le feu ne se soit COMPLÈTEMENT éteint.**

1. Vérifiez les poignées pour vous assurer qu'elles sont solidement fixées.
2. Vérifiez toutes les pièces afin de vous assurer qu'elles ne sont pas usées, endommagées ou rouillées.
3. Si une pièce quelconque s'avère défectueuse, n'utilisez PAS le foyer avant d'avoir effectué les réparations nécessaires.

Nettoyer le foyer d'extérieur

Ce foyer extérieur doit être nettoyé régulièrement pour qu'il fonctionne en toute sécurité et afin d'en assurer la pérennité.

Remarque : Après plusieurs utilisations, le fini risque de légèrement se décolorer.

- ▲ AVERTISSEMENT : NE PAS tenter de nettoyer le foyer d'extérieur avant que le feu ne se soit COMPLÈTEMENT éteint.**

- ▲ AVERTISSEMENT : NE PAS utiliser de produit à nettoyer les fours ni de produits de nettoyage abrasifs car ils endommageront cet article.**

- ▲ AVERTISSEMENT : NE placez aucune pièce du foyer d'extérieur dans un four autonettoyant. La chaleur extrême endommagera le fini de la pièce.**

Nettoyage et entretien (suite)

1. Essuyez les surfaces extérieures du foyer avec un liquide à vaisselle doux ou du bicarbonate de soude.
2. Pour les tâches coriaces, utilisez un liquide à vaisselle doux et une brosse de nettoyage en nylon.
3. Rincez complètement à l'eau.
4. Retirez toute accumulation de dépôts de crésote des pièces à l'aide d'un produit de nettoyage pour cheminée.

Conseil: Il vous est conseillé de couvrir le foyer d'extérieur lorsque vous ne l'utilisez pas une fois qu'il a refroidi afin de protéger les pièces du foyer.

Remiser le foyer extérieur

- ▲ AVERTISSEMENT : NE PAS tenter de déplacer ni de remiser ce foyer d'extérieur avant que le feu ne soit COMPLÈTEMENT éteint.**

1. Attendez que le feu se soit complètement éteint et que les braises et le foyer d'extérieur soient froids au toucher, puis retirez les cendres et jetez-les à la poubelle comme il se doit.
2. Remisez le foyer sans le démonter, dans un endroit frais et sec, à l'écart des enfants et des animaux de compagnie.

Enregistrement de l'appareil

Pour bénéficier plus rapidement du service offert par la garantie, veuillez enregistrer cet article immédiatement sur le site internet www.BlueRhino.com ou appelez le 1.800.762.1142.

Pièces de rechange

Vous trouverez toutes les pièces de rechange nécessaires sur le site web parts.BlueRhino.com ou appelez le 1.800.762.1142.

Garantie limitée

La société Blue Rhino Global Sourcing, Inc. (« Blue Rhino ») garantit cet article au premier acheteur au détail et à aucune autre personne, contre tout vice de matériau et de fabrication pendant un (1) an à partir de la date d'achat si cet article est monté et utilisé conformément aux instructions fournies. Blue Rhino vous demandera sans doute une preuve raisonnable d'achat datée, veuillez donc conserver votre facture ou votre reçu. Cette garantie limitée se limitera à la réparation ou au remplacement de pièces ayant été déterminées défectueuses par Blue Rhino lors de conditions d'utilisation et d'entretien normales. Avant de renvoyer une pièce, contactez le service à la clientèle de Blue Rhino. Si Blue Rhino confirme le défaut de fabrication et approuve la réclamation, ce dernier remplacera gratuitement les dites pièces. Si vous devez renvoyer des pièces défectueuses, les pièces devront être expédiés port-payé. Blue Rhino s'engage à renvoyer les pièces à l'acheteur port-payé.

Cette garantie limitée ne couvre pas les pannes et dysfonctionnements survenant suite à tout accident, mauvais usage, entretien incorrect de cet article, ou toute modification, mauvaise installation ou négligence comme il a été établi dans ce manuel. De plus, cette garantie limitée ne couvre pas les dommages au fini, à savoir les rayures, les bosses, les traces de décoloration, de rouille ou les dommages résultant des intempéries après achat de l'article.

Cette garantie remplace toute autre garantie expresse et il n'existe aucune autre garantie expresse à l'exception de la couverture indiquée ici. Blue Rhino désavoue toute garantie couvrant des produits ayant été achetés auprès de revendeurs autres que les revendeurs et distributeurs agréés y compris toute garantie de commerciabilité et d'adaptation à un usage particulier. BLUE RHINO DÉCLINE ÉGALEMENT TOUTE GARANTIE IMPLICITE Y COMPRIS TOUTE GARANTIE DE COMMERCIALITÉ ET D'ADAPTATION À UN USAGE PARTICULIER. BLUE RHINO NE POURRA ÊTRE TENU RESPONSABLE PAR L'ACHETEUR OU UN TIERS POUR TOUS DÉGÂTS ET DOMMAGES PARTICULIERS, INDIRECTS, PUNITIFS OU CONSÉCUTIFS. De plus, Blue Rhino désavoue toute garantie expresse ou implicite et décline toute responsabilité en cas de défaut de fabrication causés par un tiers.

Cette garantie limitée octroie des droits spécifiques à l'acheteur reconnus par la loi et il est possible que ce dernier en possède d'autres selon sa localité. Certaines juridictions ne permettent pas l'exclusion ni la limitation de dommages consécutifs ou accessoires ni la limitation en temps d'une garantie et ces limitations peuvent ne pas être applicables à tous.

Blue Rhino ne permet en aucun cas à une personne ou à une société de s'attribuer les responsabilités et les obligations liées à la vente, l'installation, l'utilisation, la dépose ou le remplacement de cet article, et aucune de ces représentations n'engage la responsabilité de Blue Rhino.

Blue Rhino Global Sourcing, Inc.
 Winston-Salem, North Carolina 27105, États-Unis
 (800)-762-1142