

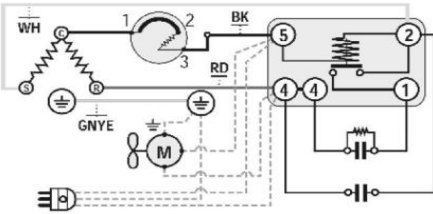
embraco

UNT6217ZV1

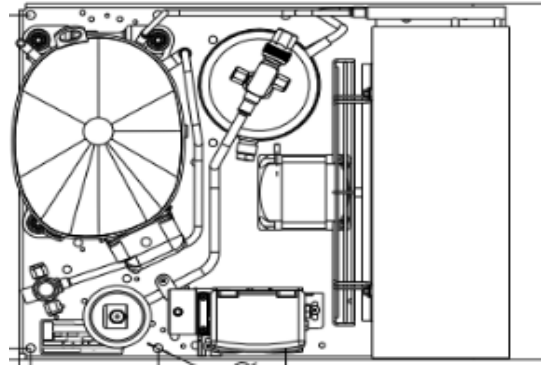
MBP/HBP

115V

134A

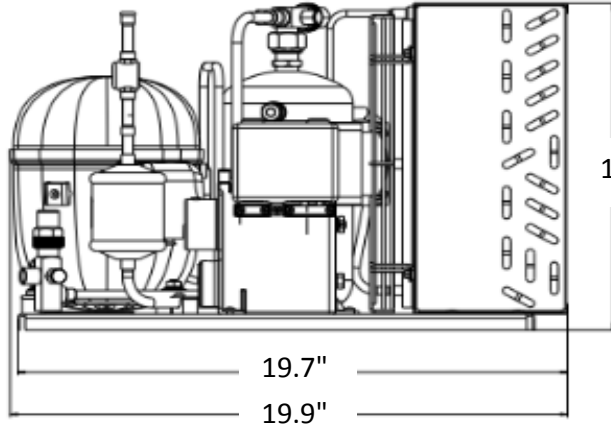


Wiring Diagram

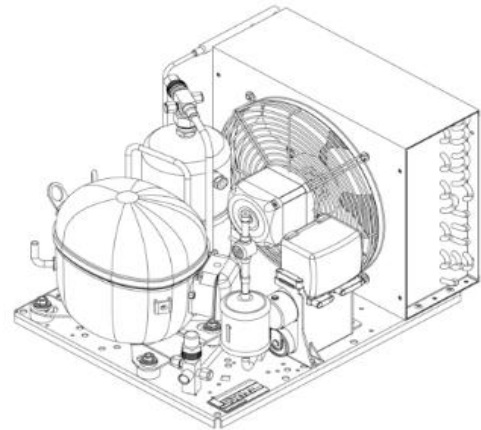


15.6"

Weight: 75.9 lb



12.8"



Technical Specifications

Rev 03-2017

Mechanical Data

Electrical Data

Approximate H.P.	3/4
Starting torque	HST
Refrigerant	134A
Evap. Temp. Range	5° to 50°F
Oil charge	15.22 oz.
Oil type	POE
Viscosity	ISO22

Compressor	CSR
Voltage	115/60Hz
Voltage range	103-127V
Run winding resistance at 25° C	0.51 Ω
Start winding resistance at 25° C	2.62 Ω
Locked rotor current	45 amps
FLA: 60Hz	12.35 amps

MBP-Performance-ASHRAE

Service Parts

Embraco #

Temperature - F	20	Bill of Material	602DGL604AA
Capacity - BTU/Hr	4,576	Relay	1253016-ESP
Power - W	808.5	Overload	2321114-ESP
Current - Amps	8.95	Start cap 243-292 mfd 250V	2252331-ESP
Temperature - C	-6.7	Run cap	2253315-ESP
Capacity - Kcal/Hr	1,154	Condenser fan motor 34W-115V	1450084
		Fan blade D.275/31'5P	2455010
		Fan Guard	2458023
		Suction valve-1/2	2110052
		Discharge valve-3/8	2110049
		Receiver 2.3 liter	2457036

1610 Satellite Blvd. Suite B, Duluth Ga, 30097 Phone: 678-805-3074