

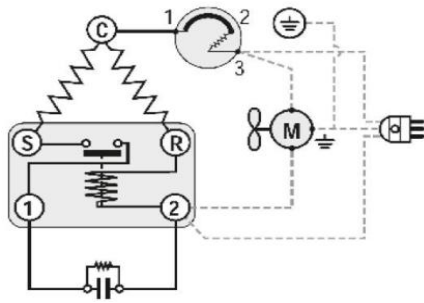
**embraco**

UNT6215Z1

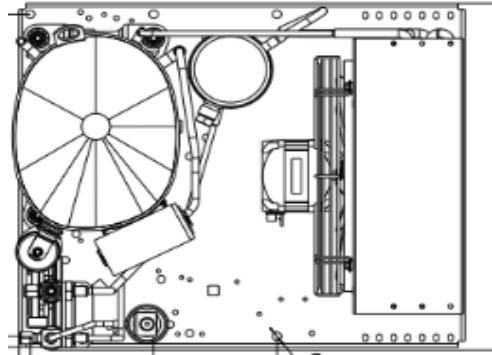
MBP/HBP

115V

134A

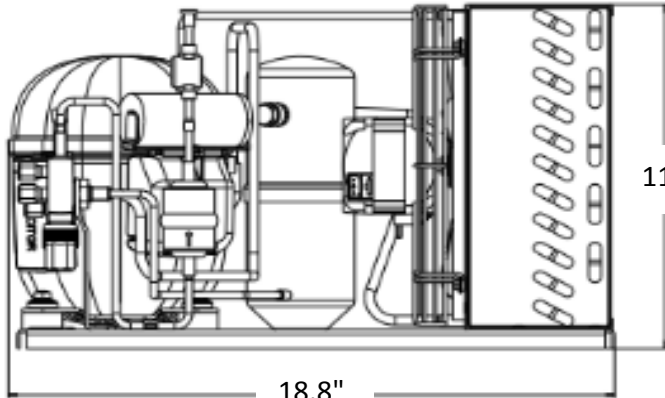


**Wiring Diagram**



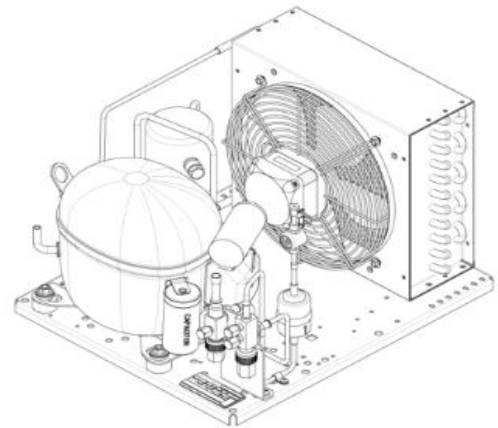
15.7"

**Weight: 62 lb**



11.6"

18.8"



**Technical Specifications**

Rev 03-2017

**Mechanical Data**

Approximate H.P.	1/2+
Starting torque	HST
Refrigerant	134A
Evap. Temp. Range	5° to 50°F
Oil charge	15.22 oz.
Oil type	POE
Viscosity	ISO22

**Electrical Data**

<b>Compressor</b>	CSIR
Voltage	115/60Hz
Voltage range	103-127V
Run winding resistance at 25° C	0.6 Ω
Start winding resistance at 25° C	4.3 Ω
Locked rotor current	44 amps
FLA: 60Hz	10.6 amps

**MBP-Performance-ASHRAE**

Temperature - F	20
Capacity - BTU/Hr	3,795
Power - W	661.7
Current - Amps	8.24
Temperature - C	-6.7
Capacity - Kcal/Hr	957

**Service Parts**

Bill of Material	602AGL601AA
Relay	2271116-ESP
Overload	2324074-ESP
Start cap 145-174 mfd 165V	2252356-ESP
Run cap	N/A
Condenser fan motor 25W-115V	1450077
Fan blade D.254/28'/5P	2455003

**HBP-Performance-ASHRAE**

Temperature - F	45
Capacity - BTU/Hr	6,012
Power - W	903.8
Current - Amps	10.02
Temperature - C	7.2
Capacity - Kcal/Hr	1,516

Fan Guard	2458020
Suction valve-3/8	2110060
Discharge valve-1/4	2110086
Receiver 1 liter	2457038

1610 Satellite Blvd. Suite B, Duluth Ga, 30097 Phone: 678-805-3074