

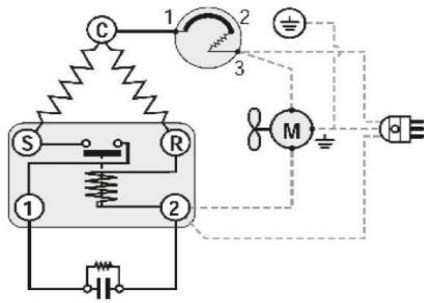
embraco

UNEU6214Z2

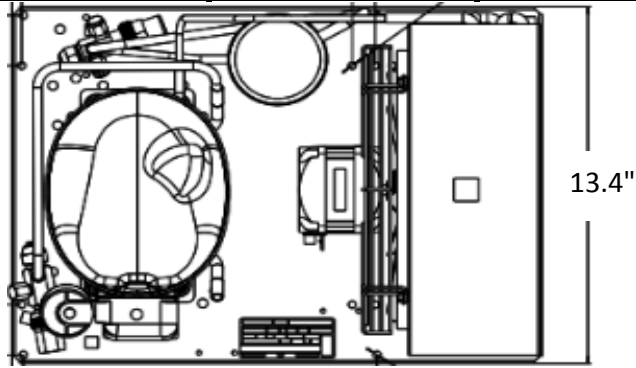
MBP/HBP

208V

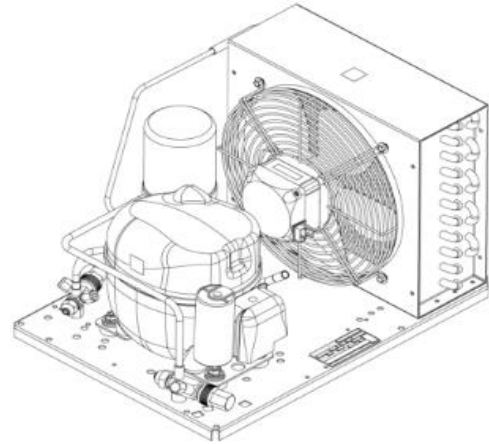
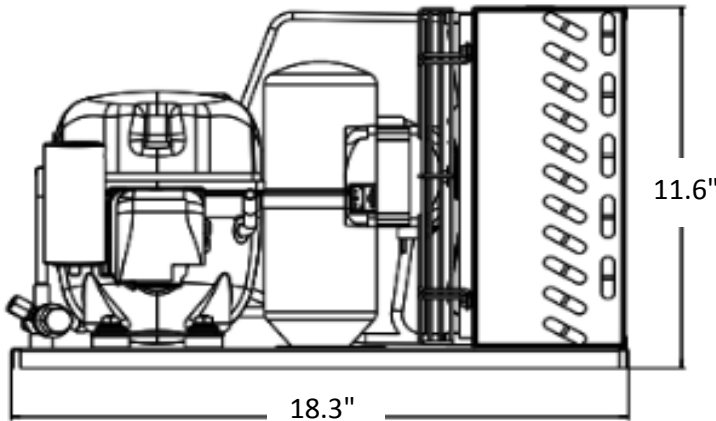
134A



Wiring Diagram



Weight: 50.7lb



Technical Specifications

Rev 03-2017

Mechanical Data

Approximate H.P.	1/2
Starting torque	HST
Refrigerant	134A
Evap. Temp. Range	5° to 50° F
Oil charge	11.83 oz.
Oil type	POE
Viscosity	ISO22

Electrical Data

Compressor	CSIR
Voltage	208/230/60Hz
Voltage range	187-244V
Run winding resistance at 25° C	3 Ω
Start winding resistance at 25° C	10 Ω
Locked rotor current	30 amps
FLA: 60Hz	5.36 amps

MBP-Performance-ASHRAE

Temperature - F	20
Capacity - BTU/Hr	3,648
Power - W	644.5
Current - Amps	4.39
Temperature - C	-6.7
Capacity - Kcal/Hr	920

Service Parts

Bill of Material	668ND5601AA
Relay	2271147
Overload	2324123
Start cap 108-130 mfd 330V	2252382
Run cap	N/A
Condenser fan motor 16W-208/230V	1450078
Fan blade D.254/28'/5P	2455003

Embraco #

HBP-Performance-ASHRAE

Temperature - F	45
Capacity - BTU/Hr	5,687
Power - W	933.1
Current - Amps	5.52
Temperature - C	7.2
Capacity - Kcal/Hr	1,434

Fan Guard	2458020
Suction valve-3/8	2110046
Discharge valve-1/4	2110047
Receiver 1 liter	2457034