

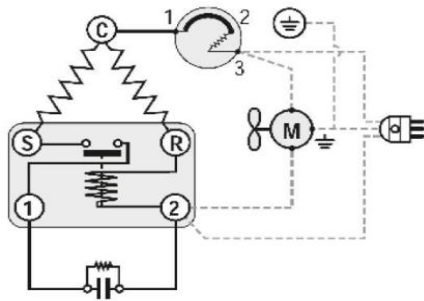
embraco

UNEU6214Z1

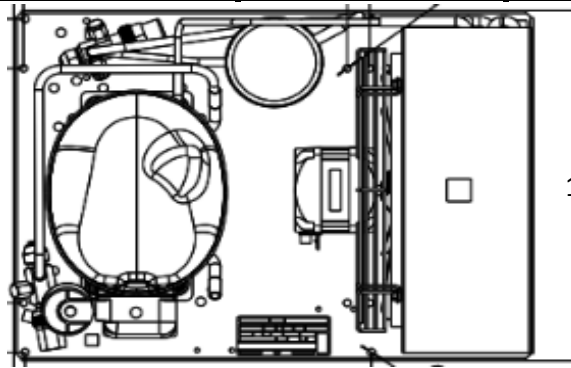
MBP/HBP

115V

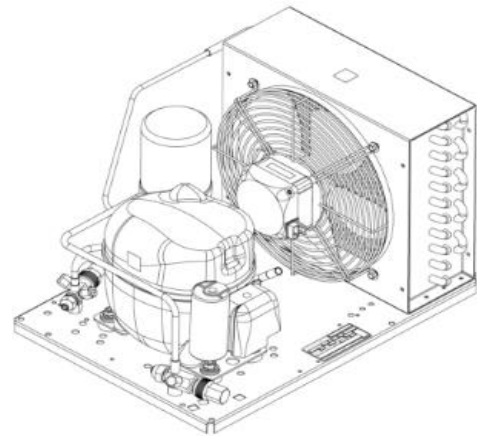
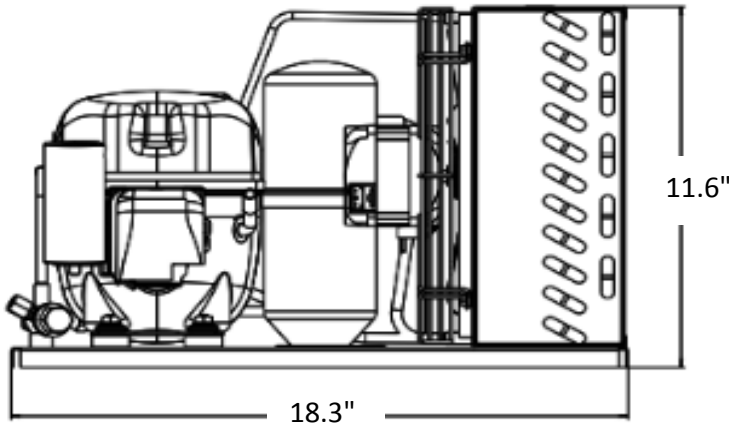
134A



Wiring Diagram



Weight: 50.7lb



Technical Specifications

Rev 03-2017

Mechanical Data

Electrical Data

| | |
|-------------------|------------|
| Approximate H.P. | 1/2 |
| Starting torque | HST |
| Refrigerant | 134A |
| Evap. Temp. Range | 5° to 50°F |
| Oil charge | 11.83 oz. |
| Oil type | POE |
| Viscosity | ISO22 |

| | |
|-----------------------------------|-----------|
| Compressor | CSIR |
| Voltage | 115/60Hz |
| Voltage range | 103-127V |
| Run winding resistance at 25° C | 0.73 Ω |
| Start winding resistance at 25° C | 5.69 Ω |
| Locked rotor current | 50 amps |
| FLA: 60Hz | 10.4 amps |

MBP-Performance-ASHRAE

Service Parts

Embraco #

| | | | |
|-------------------------------|-------|------------------------------|-------------|
| Temperature - F | 20 | Bill of Material | 668NE5601AA |
| Capacity - BTU/Hr | 3,708 | Relay | 2271159 |
| Power - W | 677.5 | Overload | 2324083-ESP |
| Current - Amps | 8.13 | Start cap 189-227 mfd 250V | 2252324-ESP |
| Temperature - C | -6.7 | Run cap | N/A |
| Capacity - Kcal/Hr | 935 | Condenser fan motor 16W-115V | 1450076 |
| HBP-Performance-ASHRAE | | Fan blade D.254/28'/5P | 2455003 |
| Temperature - F | 45 | Fan Guard | 2458020 |
| Capacity - BTU/Hr | 5,822 | Suction valve-3/8 | 2110046 |
| Power - W | 998.0 | Discharge valve-1/4 | 2110047 |
| Current - Amps | 10.47 | Receiver 1 liter | 2457034 |
| Temperature - C | 7.2 | | |
| Capacity - Kcal/Hr | 1,468 | | |

1610 Satellite Blvd. Suite B, Duluth Ga, 30097 Phone: 678-805-3074