

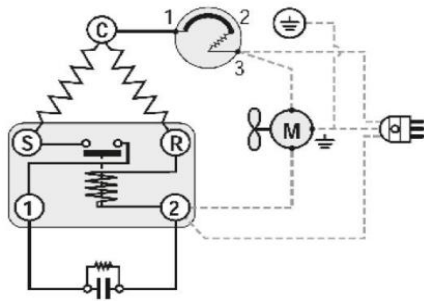
embraco

UNEU6187Z1

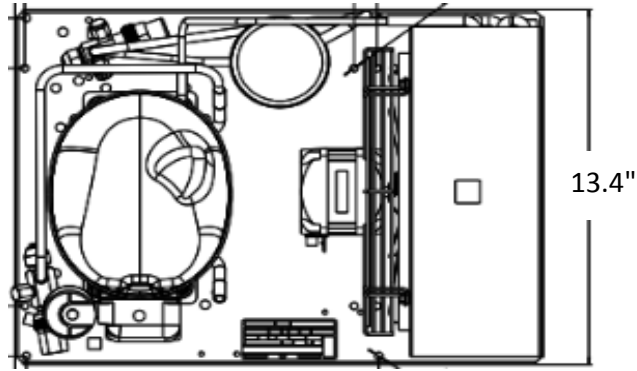
MBP/HBP

115V

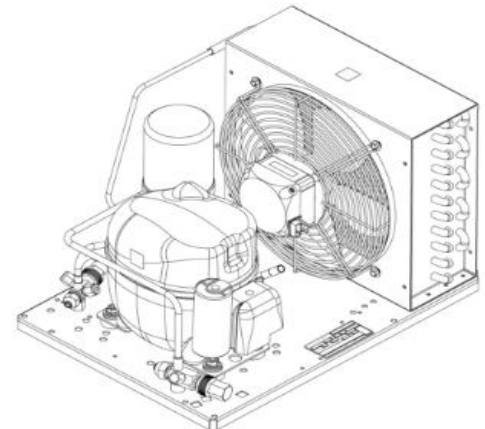
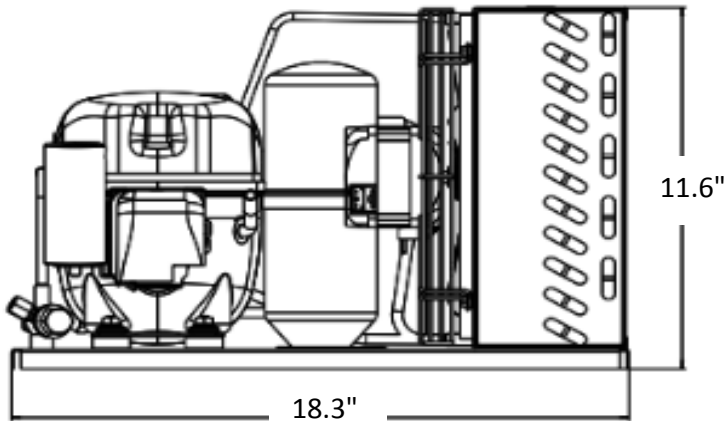
134A



Wiring Diagram



Weight: 46.1 lb



Technical Specifications

Rev 03-2017

Mechanical Data

Approximate H.P.	1/3
Starting torque	HST
Refrigerant	134A
Evap. Temp. Range	5° to 50°F
Oil charge	11.83 oz.
Oil type	POE
Viscosity	ISO22

Electrical Data

Compressor	CSIR
Voltage	115/60Hz
Voltage range	103-127V
Run winding resistance at 25° C	1.15 Ω
Start winding resistance at 25° C	6.83 Ω
Locked rotor current	39 amps
FLA: 60Hz	5.88 amps

MBP-Performance-ASHRAE

Temperature - F	20
Capacity - BTU/Hr	2,490
Power - W	405.9
Current - Amps	5.61
Temperature - C	-6.7
Capacity - Kcal/Hr	628

Service Parts

Bill of Material	669IE5601AA
Relay	2271116-ESP
Overload	2324120
Start cap 189-227 mfd 250V	2252324-ESP
Run cap	N/A
Condenser fan motor 16W-115V	1450076
Fan blade D.254/28'/5P	2455003

HBP-Performance-ASHRAE

Temperature - F	45
Capacity - BTU/Hr	3,811
Power - W	536.9
Current - Amps	6.45
Temperature - C	7.2
Capacity - Kcal/Hr	961

Fan Guard	2458020
Suction valve-3/8	2110046
Discharge valve-1/4	2110047
Receiver 1 liter	2457034

1610 Satellite Blvd. Suite B, Duluth Ga, 30097 Phone: 678-805-3074