

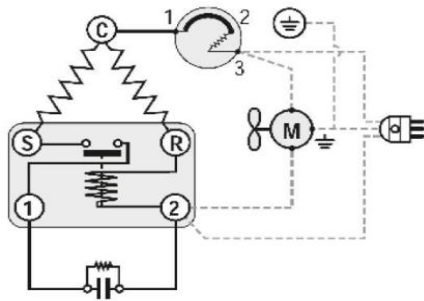
embraco

UNEU2140Z1

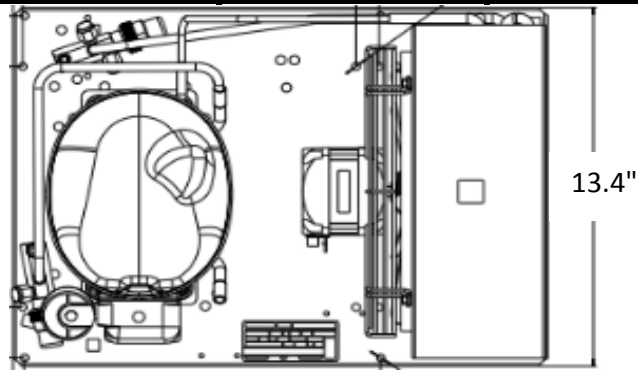
LBP

115V

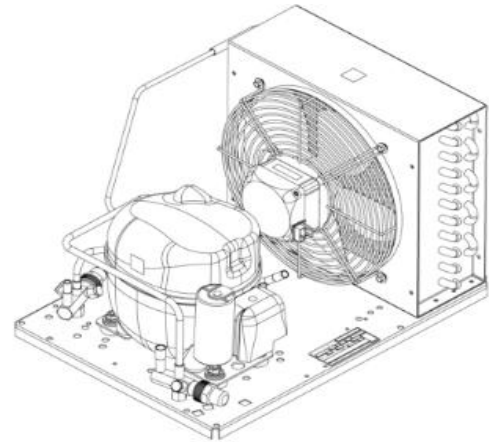
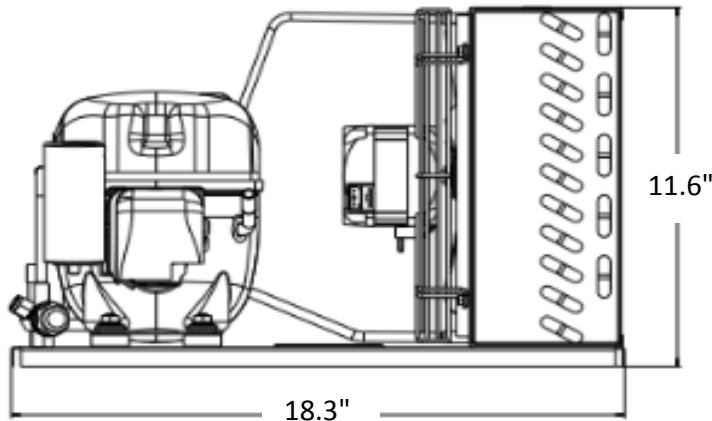
134A



Wiring Diagram



Weight: 50.7lb



Technical Specifications

Rev 03-2017

Mechanical Data

Electrical Data

Approximate H.P.	1/2
Starting torque	HST
Refrigerant	134A
Evap. Temp. Range	-31° to 14°F
Oil charge	11.83 oz.
Oil type	POE
Viscosity	ISO22

Compressor	CSIR
Voltage	115/60Hz
Voltage range	103-127V
Run winding resistance at 25° C	1.1 Ω
Start winding resistance at 25° C	5.99 Ω
Locked rotor current	40 amps
RLA: 60Hz	6.74 amps

LBP-Performance-ASHRAE

Service Parts

Embraco #

Temperature - F	-10	Bill of Material	669OE5501AA
Capacity - BTU/Hr	1,871	Relay	2271157
Power - W	423.9	Overload	2324124
Current - Amps	5.82	Start cap 189-227 mfd 250V	2252324-ESP
Temperature - C	-23.3	Run cap	N/A
Capacity - Kcal/Hr	472	Condenser fan motor 16W-115V	1450076
MBP-Performance-ASHRAE		Fan blade D.254/28'/5P	2455003
Temperature - F	N/A	Fan Guard	2458020
Capacity - BTU/Hr	N/A	Suction valve-3/8	2110046
Power - W	N/A	Discharge valve-1/4	2110047
Current - Amps	N/A	Receiver 1 liter	N/A
Temperature - C	N/A		
Capacity - Kcal/Hr	N/A		

1610 Satellite Blvd. Suite B, Duluth Ga, 30097 Phone: 678-805-3074