

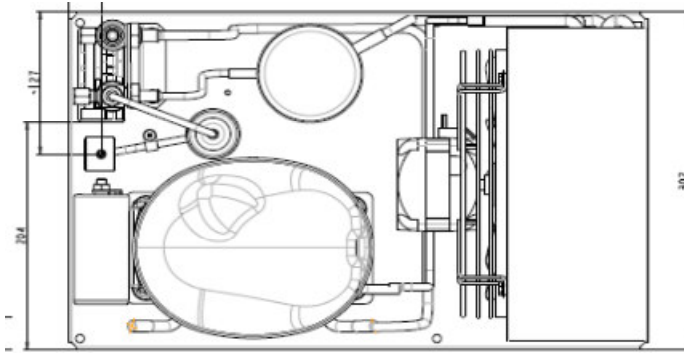
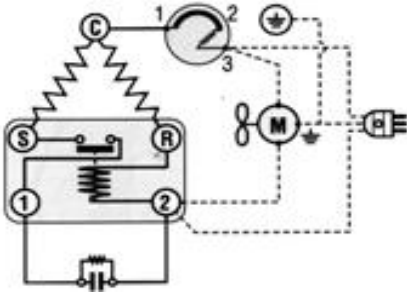
embraco

UNEK6160Z1

MBP-HBP

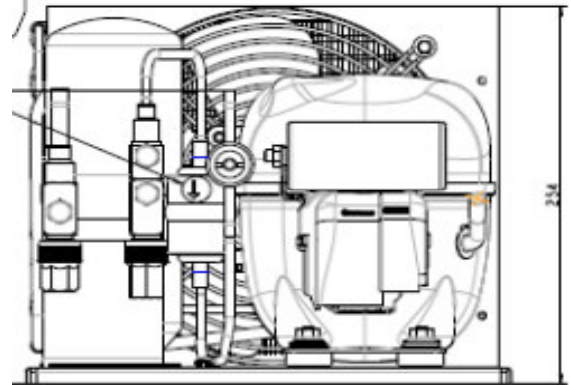
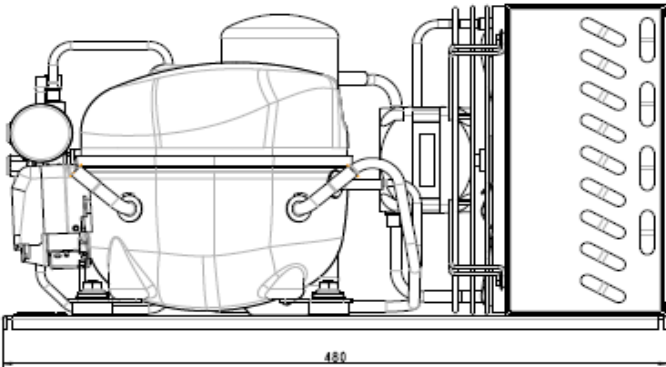
115 V

134a



Wiring Diagram

Length: 18.9" Width: 11.89" Height: 10" Weight: 43.87 lb



Technical Specifications

Rev 4-2016

Mechanical Data

Electrical Data

Approximate H.P.	1/4
Starting torque	HST
Refrigerant	134a
Evap. Temp. Range	5° to 50°F
Oil charge	11.84 oz.
Oil type	POE
Viscosity	ISO22

Motor:	CSIR
Voltage	115V / 60 Hz
Voltage range	103-127V
Run winding resistance at 25 °C	1.24 Ω
Start winding resistance at 25 °C	6.14 Ω
Locked rotor current	28.5 amps
FLA: M/HBP-60Hz	4.9 amps

MBP-Performance-ASHRAE

Service Parts

Embraco #

Temperature - F	20	Bill of Material	557BGL601AA
Capacity - BTU/Hr	1569	Relay MTRPH-0019-31	2271126-ESP
Power - W	282	Overload TO590/J5	2324063-ESP
Current - Amps	4.19	Start cap 145-174 mfd / 165V	2252318-ESP
Temperature - C	-6.7	Condenser fan motor 6W-115V	1450076
Capacity - Kcal/Hr	395	Fan blade 9"-28°-5B	2455009
HBP-Performance-ASHRAE		Fan Guard	2458022
Temperature - F	45	Suction valve	2110060
Capacity - BTU/Hr	2884	Discharge valve	2110086
Power - W	360	Receiver 1 liter	2457034
Current - Amps	4.66		
Temperature - C	7.2		
Capacity - Kcal/Hr	727		

1610 Satellite Blvd. Suite B, Duluth Ga, 30097 Phone: 678-805-3074