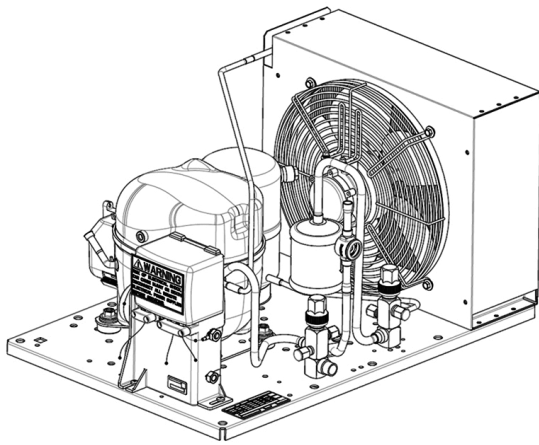


UNE0050MZE-A21A



ENGINEERING CODE
668NEN610AA



POWER SUPPLY
115-127 V 60 Hz



MOTOR TYPE
CSR



REFRIGERANT
R-134a



APPLICATION
HBP



STANDARD
AHRI



COOLING CAPACITY
1127 W



EFFICIENCY
1.69 W/W



DATA

GENERAL DATA

Model UNE0050MZE-A21A

ELECTRICAL DATA

Locked Rotor Amperage (LRA)	50.00 A
Rated Load Amperage (RLA)	9.30 A
Maximum Overcurrent Protection (MOP)	20.93 A
Minimum Current Ampacity (MCA)	11.6 A

ACCESSORIES

Dryer	FILTER DRYER 10MM ODF	2730010
Sightglass	SIGHT GLASS M/25X4 SGP10S	2464417
Discharge valve	SOLDER 3/8"	2110142
Suction valve	SOLDER 1/2"	2110143

CONDENSING COMPONENTS

Compressor	NEU6214Z	M/HBP
Condenser	3R10T	2451254
Refrigerant	R-134a	
Expansion Device	C-V	
Fan Blade Diameter	254 mm	

MECHANICAL DATA

Air Flow	595 m ³ /h
Height	302 mm
Receiver	1.2 L
Shaft Power	16 W
Weight	26 Kg
Width	377 mm
Length	550 mm

PERFORMANCE

TESTED CONDITIONS

Tested Refrigerant	R-134a
Tested Application	HBP
Tested Standard	AHRI

RATED POINTS

Ambient Temperature °C	Evaporating Temperature °C	Cooling Capacity W	Efficiency W/W	Consumo de Potencia W
32	-6.6	1127	1.69	666

Test Condition: Subcooling 2.8 K, Return Gas 18 °C.

PERFORMANCE CURVE

Ambient Temperature 25°C

Evaporating Temperature °C	Cooling Capacity W	Efficiency W/W	Consumo de Potencia W
-15	867	1.63	533
-5	1293	1.89	682
0	1540	1.94	793
5	1804	2.00	902
10	2078	2.10	990

Test Condition: Subcooling 2.8 K, Return Gas 18 °C.

PERFORMANCE CURVE

Ambient Temperature 32°C

Evaporating Temperature °C	Cooling Capacity W	Efficiency W/W	Consumo de Potencia W
-15	800	1.49	536
-5	1197	1.70	703
0	1428	1.72	830
5	1673	1.74	960
10	1927	1.79	1074

Test Condition: Subcooling 2.8 K, Return Gas 18 °C.

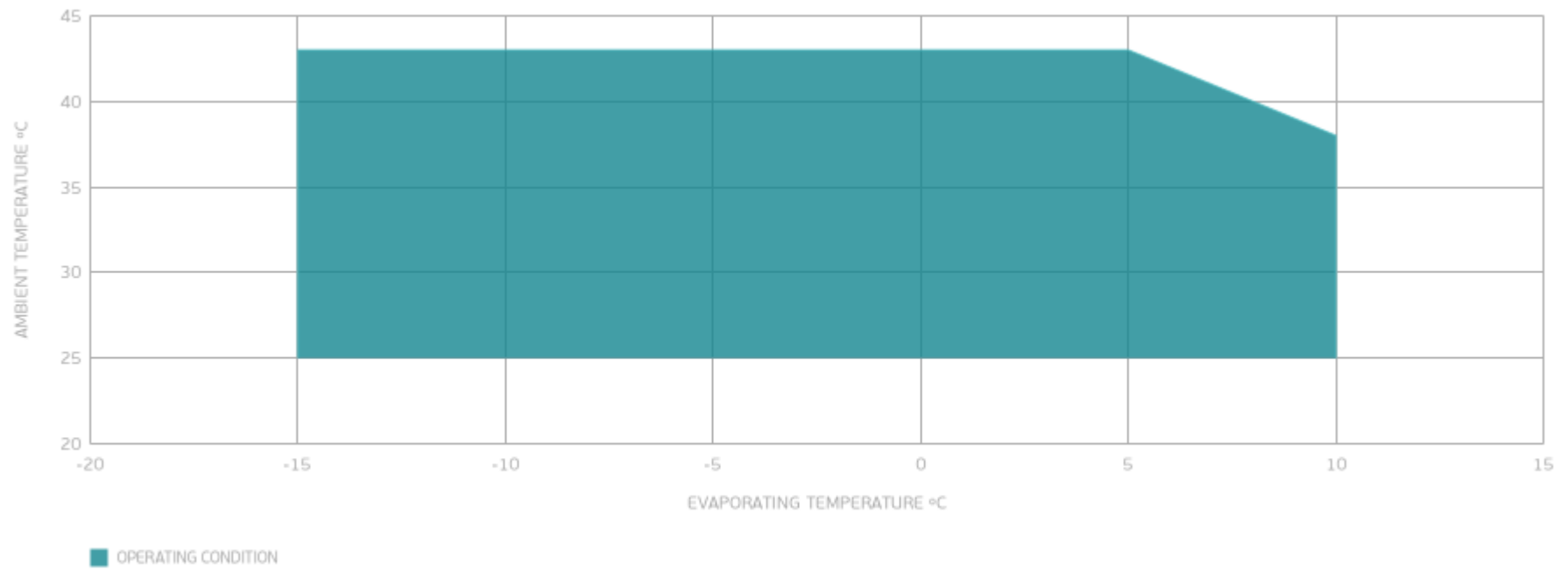
PERFORMANCE CURVE

Ambient Temperature 43°C

Evaporating Temperature °C	Cooling Capacity W	Efficiency W/W	Consumo de Potencia W
-15	695	1.21	577
-5	1052	1.40	753
0	1259	1.41	895
5	1477	1.41	1049

Test Condition: Subcooling 2.8 K, Return Gas 18 °C.

ENVELOPE



EXTERNAL DIMENSIONS

