

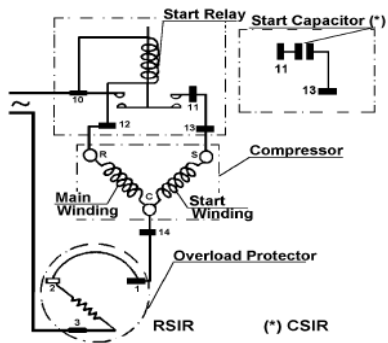
embraco

UF10HBX1

LBP-MBP-HBP

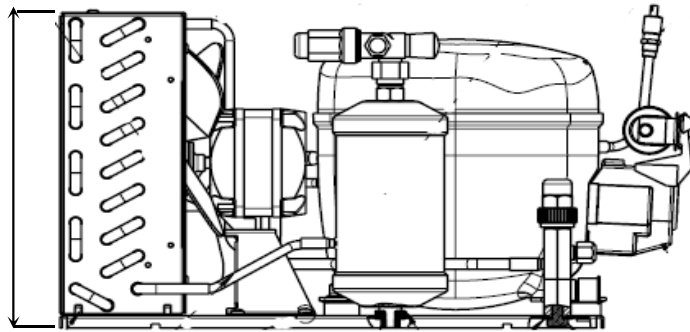
115V

134A

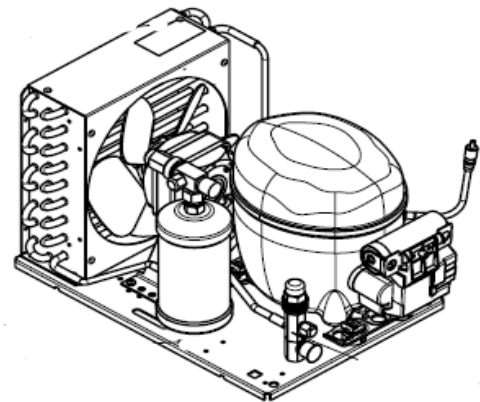
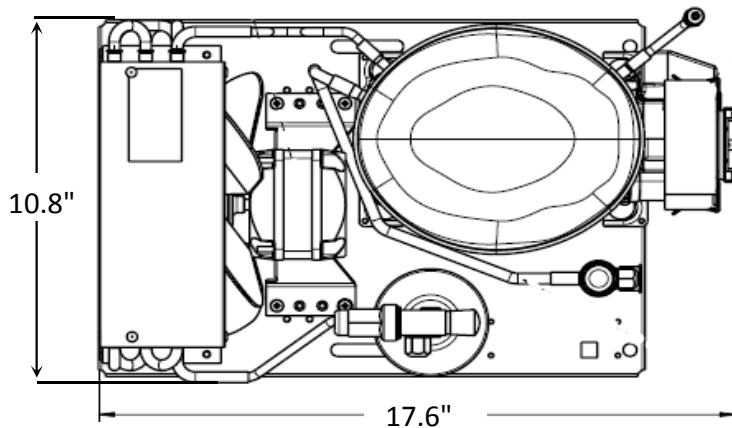


Wiring Diagram

9.6"



Weight: 39.9 lb



Technical Specifications

Rev 12 2019

Mechanical Data

Approximate H.P.	1/4+
Starting torque	HST
Refrigerant	134A
Evap. Temp. Range	-31° to 41°F
Oil charge	9.47 oz.
Oil type	POE
Viscosity	ISO22

Electrical Data

Compressor	CSIR
Voltage	115/60Hz
Voltage range	103-135V
Run winding resistance at 25° C	1.55 Ω
Start winding resistance at 25° C	4.15 Ω
Locked rotor current	35 amps
RLA: L/MBP-60Hz	5.7 amps

LBP-Performance-ASHRAE

Temperature - F	-10
Capacity - BTU/Hr	938
Power - W	242
Current - Amps	N/A
Temperature - C	-23.3
Capacity - Kcal/Hr	236

Service Parts

Bill of Material	515301374
Relay	513516191-ESP
Overload	513554609-ESP
Start cap 270-324uf 165V	513556529-ESP
Condenser fan motor (motor kit)	515401021
Fan blade D.200/28'/5P	515401021
Fan Guard	515401021

Embraco #

MBP-Performance-ASHRAE

Temperature - F	20
Capacity - BTU/Hr	2109
Power - W	352
Current - Amps	N/A
Temperature - C	-6.7
Capacity - Kcal/Hr	531

Suction valve-3/8	N/A
Discharge Valve	N/A
Receiver 0.6 liter	N/A
Power Cord	N/A