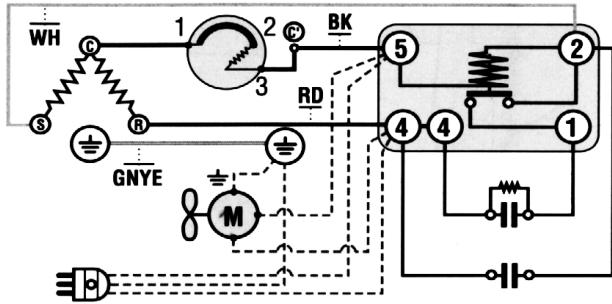


Wiring Diagram



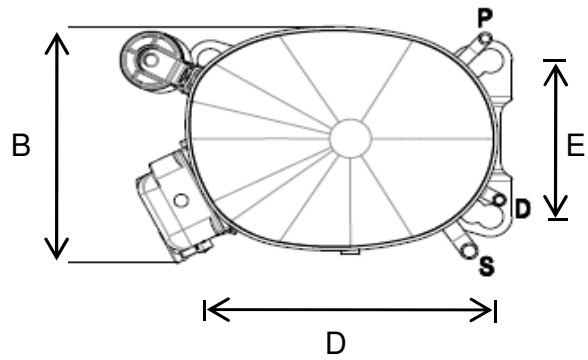
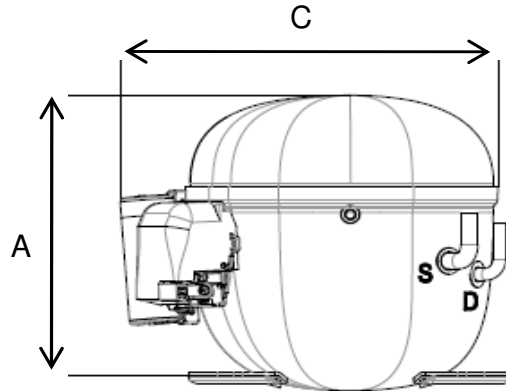
Compressor Terminals

- C = Common
- R = Run
- S = Start

Electrical components are supplied unassembled. Use of components other than specified will void warranty.

Dimensions (inches)

A:8.7" B: 7.3" C: 10.7" D: 8" E: 4.8"



Tube Diameter

ID	Inch	MM
process	.378	9.6
suction	.378	9.6
discharge	.253	6.42

Technical Specifications

Rev 10/12

Mechanical Data	English	Metric	Electrical Data	
Bore	1.34 in	34.12 mm	motor: 2 pole - 1 phase	CSCR
Stroke	.75 in	19.03 mm	voltage	208-230
Displacement	1.061 cu. In	17.39 cc	voltage range	187-253
Speed	3,500 rpm	3,500 rpm	run winding resistance at 25° C	1.58 Ω
Weight	37.92 lb	17.2 kg	start winding resistance at 25° C	6.60 Ω
Oil Charge	15.22 oz.	450 ml	locked rotor current	N/A

Compressor Cooling:


Fan cooled by forced draft over shell with 6 watt minimum fan.

Restrictor:

Capillary tube or Expansion valve

Capacitor:

Start Cap	88-108 mfd	330v
Run Cap	15 mfd	440v

	NT6222GKV	MBP-HBP	208-230	404A
Specifications Approximate H. P. 1 Starting Torque High Refrigerant 404A Evaporator Temperature Med/High Evaporator Temperature -4° to 50°F			Usage Drinking Water Coolers Dehumidifiers Ice Machines Reach In Refrigerators Beer Coolers	

HBP Performance 208v					
Temperature °F	14	23	32	45	50
Capacity BTU/Hr	5,291	6,489	7,820	9,992	10,792
Power W	1,098	1,206	1,315	1,556	1,530
Current Amps	6.41	6.93	7.46	8.78	8.55
Temperature °C	-10	-5	0	7.2	10
Capacity Kcal/Hr	1,333	1,635	1,971	2,518	2,720

LBP Rating		Rating Point (Bolded above)	HBP Rating	ASHRAE
Condensing	130°F		Condensing	130°F
Evaporator	-10°F		Evaporator	45°F
Return Gas	90°F		Return Gas	95°F
Ambient	90°F		Ambient	95°F
Liquid Temp.	90°F		Liquid Temp.	115°F

Material	Part number	Description	Compressor Cross Ref.	
			Model	Appl.
Compressor	922KD04			
Relay	1253015			
Overload	2321018			
Start Cap	2252269	88-108 mfd / 330v		
Run Cap	2253310	15 mfd / 440v		
Grommet	2221004			
Sleeve	2222016			

EMBRACO NORTH AMERICA, INC.
 2800 Vista Ridge Dr. Suite 100, Suwanee Ga, 30024 Phone: 678-804-1337