

**embraco**

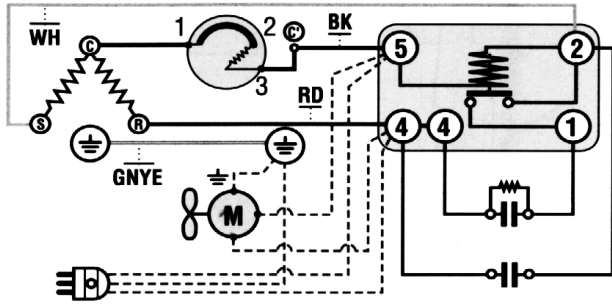
NT6220GKV1

MBP-HBP

115V

404A

**Wiring Diagram**



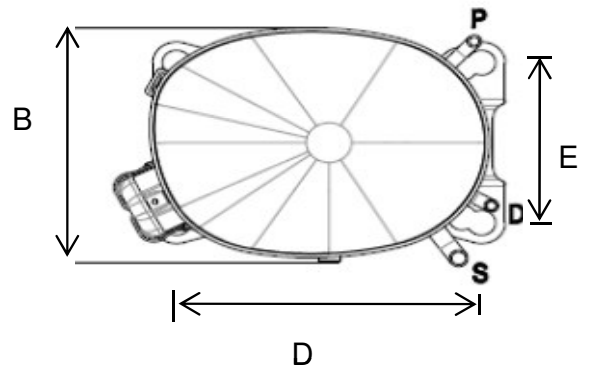
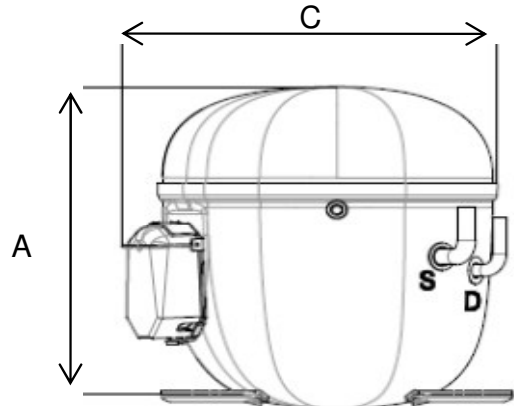
**Compressor Terminals**

- C = Common
- R = Run
- S = Start

Electrical components are supplied unassembled. Use of components other than specified will void warranty.

**Dimensions (inches)**

A:8.7" B: 7" C: 10" D: 8" E: 4.8"



**Tube Diameter**

ID	Inch	MM
Process	.253-1/4	6.42
Suction	.378-3/8	9.6
Discharge	.253-1/4	6.42

**Technical Specifications**

Rev 2-2016

Mechanical Data	English	Metric	Electrical Data	
Bore	1.34 in	34.12 mm	<b>Motor:</b>	CSR
Stroke	.62 in	15.87 mm	Voltage	115V / 60 Hz
Displacement	.885 cu. In	14.5 cc	Voltage range	103-127V
Speed	3,500 rpm	3,500 rpm	Run winding resistance at 25 °C	.43 Ω
Weight	37.48 lb	17 kg	Start winding resistance at 25 °C	2.66 Ω
Oil Charge	15.22 oz.	450 ml	Locked rotor current	54.5 amps
Oil Type	POE	ISO22	FLA: MBP-60Hz	10.5 amps

**Compressor Cooling:**


Fan cooled by forced draft over shell with 6 watt minimum fan.

**Restrictor:**

Capillary tube or Expansion valve

**Capacitor:**

Start Cap	243-292 mfd	165V
Run Cap	35 mfd	440V

	<b>NT6220GKV1</b>	<b>MBP-HBP</b>	<b>115V</b>	<b>404A</b>
<b>Specifications</b> Approximate H. P. 3/4 Starting Torque High Refrigerant 404A Evaporator Temperature Med/High Evaporator Temperature -4° to 50°F			<b>Usage</b> Drinking Water Coolers Dehumidifiers Ice Machines Reach In Refrigerators Beer Coolers	

<b>HBP Performance</b>					
<b>Temperature °F</b>	5	14	23	<b>45</b>	32
<b>Capacity BTU/Hr</b>	3,410	4,331	5,378	<b>8,464</b>	6,549
<b>Power W</b>	779	874	963	<b>1,160</b>	1,048
<b>Current Amps</b>	9.12	9.83	10.53	<b>12.2</b>	11.22
<b>Temperature °C</b>	-15	-10	-5	<b>7.2</b>	0
<b>Capacity Kcal/Hr</b>	859	1,091	1,355	<b>2,133</b>	1,650

<b>LBP Rating</b>		<b>Rating Point (Bolded above)</b>	<b>HBP Rating</b>	<b>ASHRAE</b>
Condensing	N/A		Condensing	130°F
Evaporator	N/A		Evaporator	45°F
Return Gas	N/A		Return Gas	95°F
Ambient	N/A		Ambient	95°F
Liquid Temp.	N/A		Liquid Temp.	115°F

<b>Material</b>	<b>Part number</b>	<b>Description</b>	<b>Compressor Cross Ref.</b>	
Compressor	922JG02	NT6220GKV1	<b>Manufacturer</b>	<b>Model</b>
Relay	1253050	RVA9AD3C-121	Copeland	RST45C1E-CAA
Terminal Cover	2075210			
Overload	2291055	TO873/C9		
Start Cap	2252331	243-292 mfd / 165V		
Run Cap	2253315	35 mfd / 440V		
*Electrical Box	1262325	1272325		
Grommet		2221004		
Sleeve		2222016		

\*Includes relay, capacitors, and harness

**EMBRACO NORTH AMERICA, INC.**  
 1610 Satellite Blvd. Suite B, Duluth Ga, 30097 Phone: 678-805-3074