

embraco

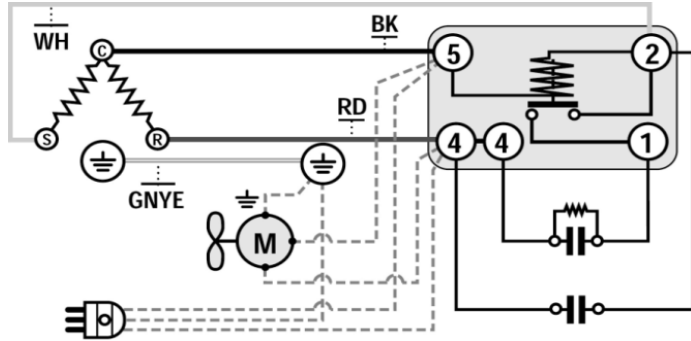
NT6217Z1

MBP-HBP

115V

134a

Wiring Diagram



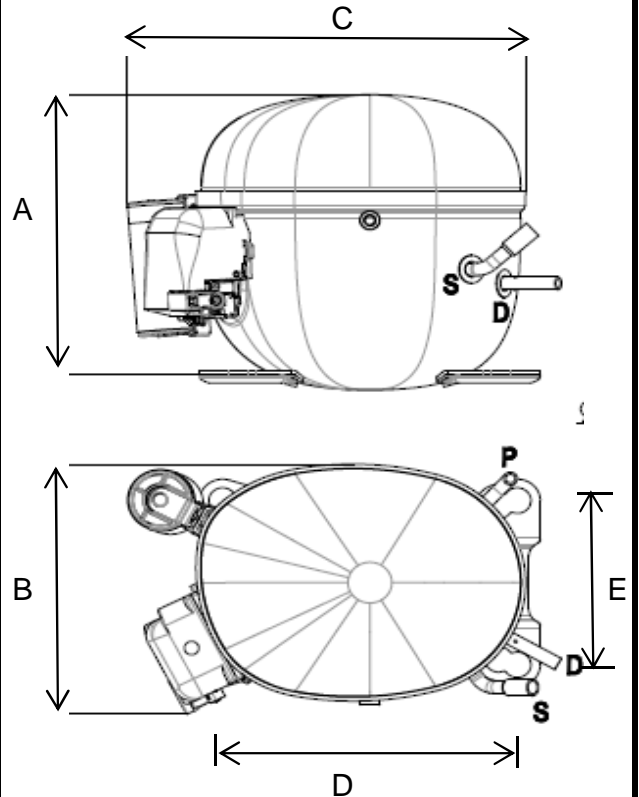
Compressor Terminals

- C = Common
- R = Run
- S = Start

Electrical components are supplied unassembled. Use of components other than specified will void warranty.

Dimensions (inches)

A: 8.7" B: 7.3" C: 10.7" D: 8" E: 4.8"



Tube Diameter

ID	Inch	MM
Process	.25-1/4	6.4
Suction	.38-3/8	9.6
Discharge	.25-1/4	6.4

Technical Specifications

Rev 9-2019

Mechanical Data	English	Metric	Electrical Data	
Bore	1.46 in	36.99 mm	Motor	CSR
Stroke	.75 in	19.03 mm	Voltage	115V / 60 Hz
Displacement	1.247 cu. In	20.44 cc	Voltage range	103-127V
Speed	3,500 rpm	3,500 rpm	Run winding resistance at 25° C	.51 Ω
Weight	38.58 lb	17.5 kg	Start winding resistance at 25° C	2.62 Ω
Oil Charge	15.22 oz.	450 ml	Locked rotor current	45 amps
Oil Type	POE	ISO22	RLA:MBP/HBP-60Hz	11 amps

Compressor Cooling:


Fan cooled by forced draft over shell with 6 watt minimum fan.

Restrictor:

Capillary tube or Expansion valve

Capacitor:

Start Cap	243-292 mfd	250V
Run Cap	35 mfd	440V

	NT6217Z1	MBP-HBP	115V	134a
Specifications Approximate H. P. 3/4+ Starting Torque High Refrigerant 134a Evaporator Temperature Med/High Evaporator Temperature 5° to 50°F			Usage Drinking Water Coolers Dehumidifiers Ice Machines Reach In Refrigerators Beer Coolers	

HBP Performance					
Temperature °F	14	20	32	45	50
Capacity BTU/Hr	3,595	4,336	5,665	7,460	8,164
Power W	691	780	875	990	1,041
Current Amps	8.1	8.80	9.51	10.5	10.86
Temperature °C	-10	-5	0	7.2	10
Capacity Kcal/Hr	906	1,093	1,427	1,880	2,057

MBP Rating	ASHRAE	Rating Point (Bolded above)	HBP Rating	ASHRAE
Condensing	130°F		Condensing	130°F
Evaporator	20°F		Evaporator	45°F
Return Gas	95°F		Return Gas	95°F
Ambient	95°F		Ambient	95°F
Liquid Temp.	115°F		Liquid Temp.	115°F

Material	Part number	Description	Compressor Cross Ref.	
Compressor	212JG16	NT6217Z1	Model	Appl.
Relay	1253016-ESP	RVA2AG3C-117	AKA4460YXA	HBP, HST
Overload	Internal			
Start Cap	2252331-ESP	243-292mfd / 250V		
Run Cap	2253315-ESP	35 mfd / 440V		
*Electrical box	1272452			
Grommet	2221004			
Sleeve	2222016			

*Contains relay, capacitors, wiring harness

EMBRACO NORTH AMERICA, INC.
 1610 Satellite Blvd. Suite B, Duluth Ga, 30097 Phone: 678-805-3074