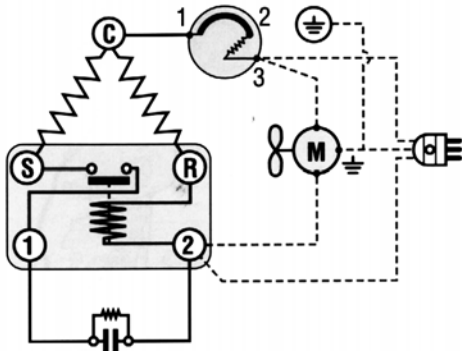


Wiring Diagram



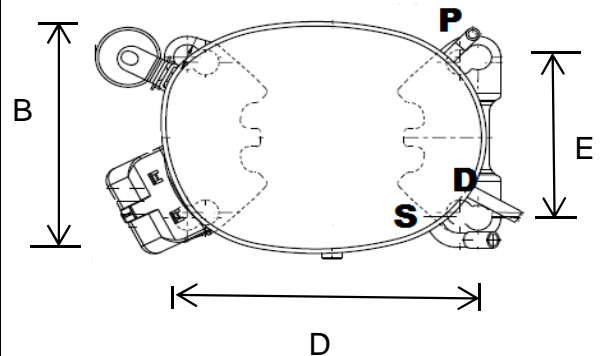
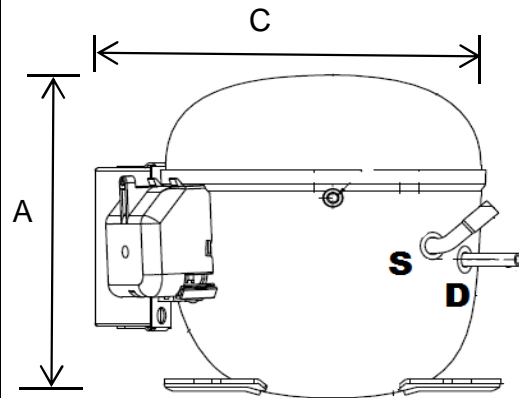
Compressor Terminals

- C = Common
- R = Run
- S = Start

Electrical components are supplied unassembled. Use of components other than specified will void warranty.

Dimensions (inches)

A: 8.1" B: 7.3" C: 10.7" D: 8" E: 4.8"



Tube Diameter

ID	Inch	MM
Process	.253-1/4	6.42
Suction	.378-3/8	9.6
Discharge	.253-1/4	6.42

Technical Specifications

Rev 12-2017

Mechanical Data	English	Metric	Electrical Data	
Bore	1.34 in	34.12 mm	Motor	CSIR
Stroke	.75 in	19.03 mm	Voltage	208-230 / 60 Hz
Displacement	1.061 cu. In	17.39 cc	Voltage range	187-253
Speed	3,500 rpm	3,500 rpm	Run winding resistance at 25° C	2.52 Ω
Weight	37.48 lb	17 kg	Start winding resistance at 25° C	7.55 Ω
Oil Charge	15.22 oz.	450 ml	Locked rotor current	55 A
Oil	POE	ISO22	RLA	9.2 A

Compressor Cooling:


Fan cooled by forced draft over shell with 6 watt minimum fan.

Restrictor:

Capillary tube or Expansion valve

Capacitor:

Start	64-77 mfd	330V
Run	N/A	N/A

	NT6215Z2	MBP-HBP	208-230	134a
Specifications Approximate H. P. 1/2+ Starting Torque High Refrigerant 134a Evaporator Temperature Med/High Evaporator Temperature 5° to 50°F			Usage Drinking Water Coolers Dehumidifiers Ice Machines Reach In Refrigerators Beer Coolers	

HBP Performance (208v)					
Temperature °F	14	20	32	45	50
Capacity BTU/Hr	3,113	3,614	4,814	6,401	7,029
Power W	588	625	730	835	881
Current Amps	3.89	4.04	4.47	4.94	5.13
Temperature °C	-10	-6.7	0	7.2	10
Capacity Kcal/Hr	784	911	1,213	1,876	1,771

MBP Rating	ASHRAE	Rating Point (Bolded above)	HBP Rating	ASHRAE
Condensing	130°F		Condensing	130°F
Evaporator	20°F		Evaporator	45°F
Return Gas	95°F		Return Gas	95°F
Ambient	95°F		Ambient	95°F
Liquid Temp.	115°F		Liquid Temp.	115°F

Material	Part number	Description	Compressor Cross Ref.
Compressor	211AD06	NT6215Z2	Copeland RRT62C1E-IAV
Relay	2271051-ESP		
Overload	2324142-ESP		
Overload bracket	2075299		
Start Cap	2252365-ESP	64-77 mfd / 330V	
Terminal cover	2075278		

EMBRACO NORTH AMERICA, INC.
1610 Satellite Blvd. Suite B, Duluth Ga, 30097 Phone: 678-805-3074