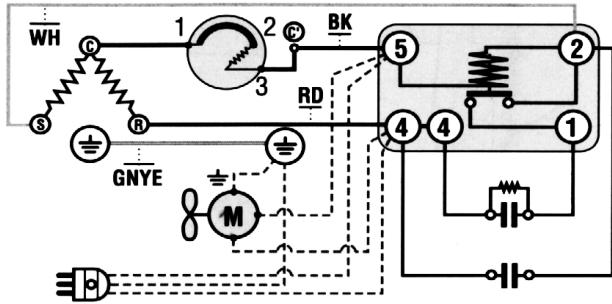


Wiring Diagram



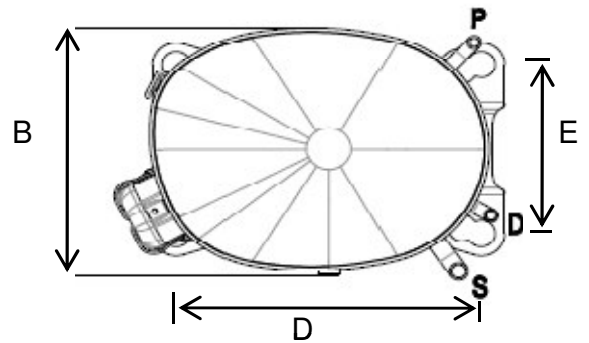
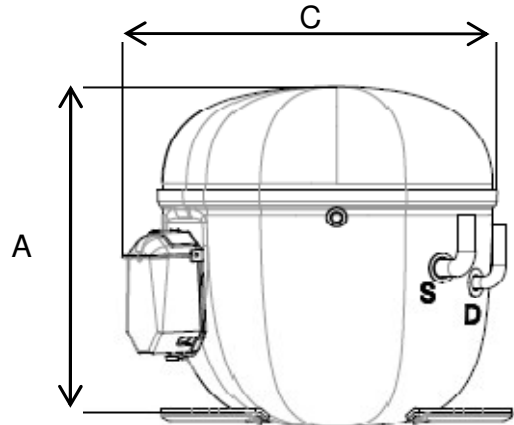
Compressor Terminals

- C = Common
- R = Run
- S = Start

Electrical components are supplied unassembled. Use of components other than specified will void warranty.

Dimensions (inches)

A:9.9" B: 7" C: 10" D: 8" E: 4.8"



Tube Diameter

ID	Inch	MM
process	.378	9.6
suction	.378	9.6
discharge	.253	6.42

Technical Specifications

Rev 10/12

Mechanical Data	English	Metric	Electrical Data	
Bore	1.5 in	38.10 mm	motor: 2 pole - 1 phase	CSCR
Stroke	.96 in	24.4 mm	voltage	208-230
Displacement	1.696 cu. In	27.8 cc	voltage range	187-253
Speed	3,500 rpm	3,500 rpm	run winding resistance at 25°C	1.35 Ω
Weight	40.34 lb	18.3 kg	start winding resistance at 25°C	3.30 Ω
Oil Charge	21.98 fl. oz.	650 ml	locked rotor current	45 amps

Compressor Cooling:

Fan cooled by forced draft over shell with 6 watt minimum fan.

Restrictor:

Capillary tube or Expansion valve

Capacitor:

Start Cap	130-156 mfd	330v
Run Cap	25 mfd	440v

embraco	NT2212GKV	LBP	208-230	404A
Specifications Approximate H. P. 1 1/2 Starting Torque High Refrigerant 404A Evaporator Temperature Low Evaporator Temperature -40° to 14°F			Usage Drinking Water Coolers Dehumidifiers Ice Machines Reach In Refrigerators Beer Coolers	

LBP Performance Ashrae 208v					
Temperature °F	-22	-10	-4	5	14
Capacity BTU/Hr	4,000	5,710	6,688	8,302	10,094
Power W	965	1,176	1,288	1,457	1,630
Current Amps	4.76	5.80	6.33	7.15	7.98
Temperature °C	-30	-23.3	-20	-15	-10
Capacity Kcal/Hr	1,008	1,439	1,685	2,092	2,544

LBP Rating	ARI		Rating Point (Bolded above)	HBP Rating	
Condensing	130°F	120°F		Condensing	130°F
Evaporator	-10°F	-10°F		Evaporator	45°F
Return Gas	90°F	40°F		Return Gas	95°F
Ambient	90°F	95°F		Ambient	95°F
Liquid Temp.	90°F	120°F		Liquid Temp.	115°F

Material	Part number	Description	Compressor Cross Ref.	
			Model	Appl.
Compressor	925CD02			
Relay	1253019			
Overload	Internal			
Start Cap	2252274	130-156 mfd / 330v		
Run Cap	2253313	25 mfd / 440v		
Grommet	2221004			
Sleeve	2222016			

EMBRACO NORTH AMERICA, INC.
2800 Vista Ridge Dr. Suite 100, Suwanee Ga, 30024 Phone: 678-804-1337