

embraco

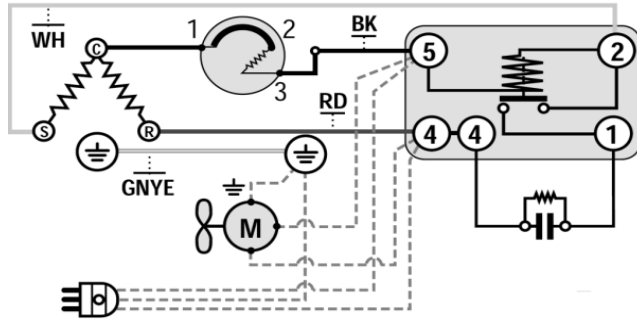
NJ6220Z

HBP

115 v

134a

Wiring Diagram



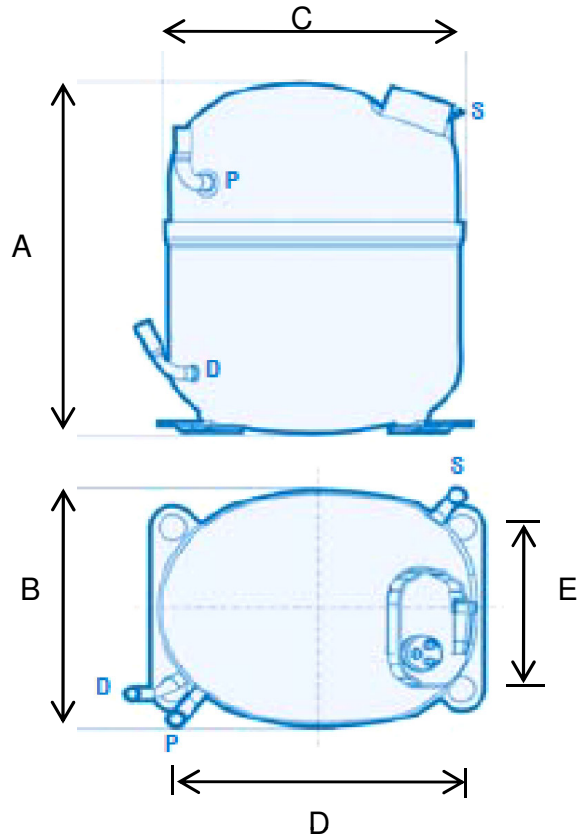
Compressor Terminals

- C = Common
- R = Run
- S = Start

Electrical components are supplied unassembled. Use of components other than specified will void warranty.

Dimensions (inches)

A:10.4" B: 7.05" C: 8.81" D: 8" E: 4.8"



Tube Diameter

ID	Inch	MM
process	.378	9.6
suction	.378	9.6
discharge	.315	8

Technical Specifications

Rev 10/12

Mechanical Data	English	Metric	Electrical Data	
Bore	1.64 in	41.77 mm	motor: 2 pole - 1 phase	CSIR
Stroke	.75 in	19.07 mm	voltage	115 / 60
Displacement	1.593 cu. In	26.11 cc	voltage range	103-127v
Speed	3,500 rpm	3,500 rpm	run winding resistance at 25° C	.46 Ω
Weight	43.65 lb	19.8 kg	start winding resistance at 25° C	3.06 Ω
Oil Charge	25.36 oz.	750 ml	locked rotor current	N/A
Compressor Cooling: Fan cooled by forced draft over shell with 6 watt minimum fan.				
Restrictor: Capillary tube or Expansion valve			capacitor: capacitance voltage	340-408 mfd 165v

embraco	NJ6220Z	HBP	115 v	134a
Specifications Approximate H. P. 1 Starting Torque High Refrigerant 134a Evaporator Temperature Med/High Evaporator Temperature 5° to 50°F			Usage Drinking Water Coolers Dehumidifiers Ice Machines Reach In Refrigerators Beer Coolers	

HBP Performance					
Temperature °F	14	23	32	45	50
Capacity BTU/Hr	4,407	5,888	7,528	10,169	11,287
Power W	852	969	1,084	1,250	1,313
Current Amps	10.87	11.54	12.25	13.35	13.8
Temperature °C	-10	-5	0	7.2	10
Capacity Kcal/Hr	1,111	1,484	1,897	2,563	2,844

LBP Rating		Rating Point (Bolded above)	HBP Rating	
Condensing	130°F		Condensing	130°F
Evaporator	-10°F		Evaporator	45°F
Return Gas	90°F		Return Gas	95°F
Ambient	90°F		Ambient	95°F
Liquid Temp.	90°F		Liquid Temp.	115°F

Material	Part number	Description	Compressor Cross Ref.	
Compressor	144HG01		Model	Appl.
Relay	1253017		AKA4476YXA	HBP, HST
Overload	2297010			
Start Cap	2252300	340-408 mfd / 165v		
Grommet	2221004			
Sleeve	2222016			

EMBRACO NORTH AMERICA, INC.
 2800 Vista Ridge Dr. Suite 100, Suwanee Ga, 30024 Phone: 678-804-1337