

embraco

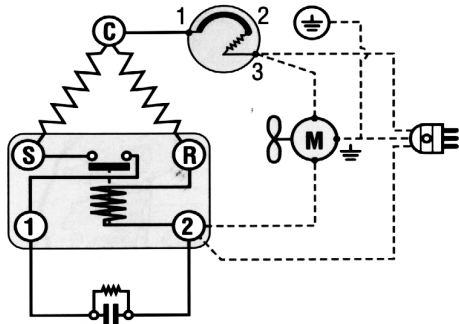
NEK2125GK

LBP

115V

404A

Wiring Diagram

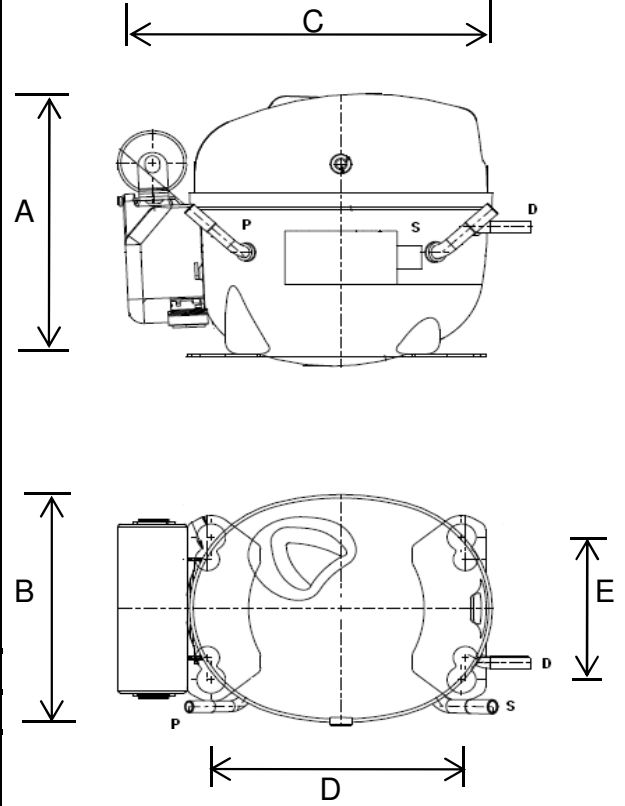


Compressor Terminals

- C = Common
- R = Run
- S = Start

Dimensions (inches)

A: 7.4" B: 6.37" C: 9.68" D: 6.5" E: 4"



Tube Diameter

ID	Inch	MM
Process	.254-1/4	6.45
Suction	.316-5/16	8.03
Discharge	.254-1/4	6.45

Technical Specifications

Rev 8-2014

Mechanical Data	English	Metric	Electrical Data	
Bore	.82 in	20.87 mm	Motor:	CSIR
Stroke	.71 in	18.12 mm	2 pole - 1 phase	115V/60Hz
Displacement	.378 cu. In	6.2 cc	Voltage	103-127V
Speed	3,500 rpm	3,500 rpm	Voltage range	1.24 Ω
Weight	22.93 lb	10.4 kg	Run winding resistance at 25° C	6.14 Ω
Oil Charge	11.84 oz.	350 ml	Start winding resistance at 25° C	26.5 amps
Oil Type	POE	ISO22	Locked rotor current	4.2 amps
			FLA: LBP-60Hz	

Compressor Cooling:


Fan cooled by forced draft over shell with 6 watt minimum fan.

Restrictor:

Expansion valve or capillary tube

Capacitor:

Start cap	145-174 mfd	165V
Run cap	N/A	N/A

	NEK2125GK	LBP	115V	404A
Specifications Approximate H. P. 1/3+ Starting Torque High Refrigerant 404A Evaporator Temperature Low Evaporator Temperature -40° to 14°F			Usage Drinking Water Coolers Dehumidifiers Ice Machines Reach In Refrigerators Beer Coolers	

LBP Performance					
Temperature °F	-22	-10	-4	5	14
Capacity BTU/Hr	1,062	1,458	1,687	2,077	2,517
Power W	274	323	348	386	427
Current Amps	3.98	4.28	4.42	4.66	4.91
Temperature °C	-30	-23.3	-20	-15	-10
Capacity Kcal/Hr	268	367	425	523	634

LBP Rating	ASHRAE	Rating Point (Bolded above)	HBP Rating	
Condensing	130°F		Condensing	N/A
Evaporator	-10°F		Evaporator	N/A
Return Gas	90°F		Return Gas	N/A
Ambient	90°F		Ambient	N/A
Liquid Temp.	90°F		Liquid Temp.	N/A

Material	Part number	Description	Compressor Cross Ref.	
Compressor	957EG92	NEK2125GK1	Model	Appl.
Relay	2271126	MTRPH-0019-31	AEA2411ZXA	LBP, HST
Overload	2324055	TO060/J5		
Start Cap	2252318	145-174 mfd / 165V		
Grommet	2221003			
Sleeve	2222015			

EMBRACO NORTH AMERICA, INC.
 1610 Satellite Blvd. Suite B, Duluth Ga, 30097 Phone: 678-805-3074