

embraco

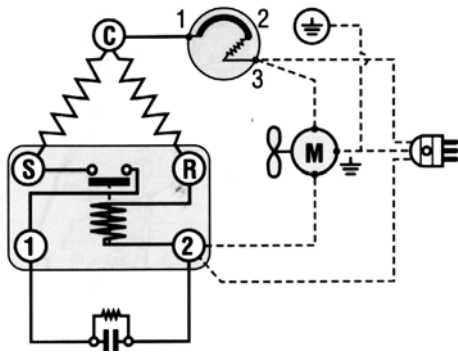
NEK2121GK1

LBP

115 V

404A

Wiring Diagram



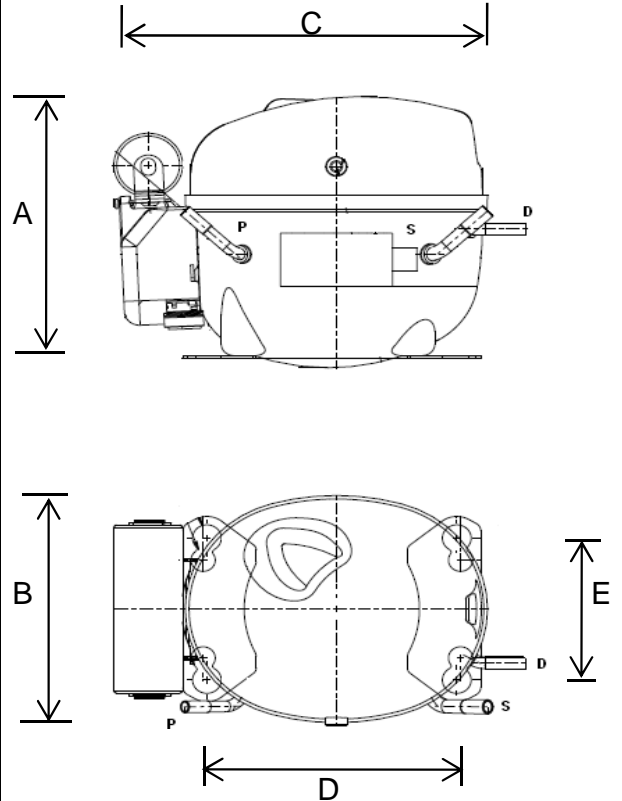
Compressor Terminals

- C = Common
- R = Run
- S = Start

Electrical components are supplied unassembled. Use of components other than specified will void warranty.

Dimensions (inches)

A: 7.4" B: 6.37" C: 9.68" D: 6.5" E: 4"



Tube Diameter

ID	Inch	MM
Process	.254-1/4	6.45
Suction	.316-5/16	8.03
Discharge	.254-1/4	6.45

Technical Specifications

Rev 10-2018

Mechanical Data	English	Metric	Electrical Data	
Bore	.82 in	20.87 mm	Motor:	CSIR
Stroke	.63 in	15.92 mm	Voltage	115/60Hz
Displacement	.332 cu. In	5.44 cc	Voltage range	103-127V
Speed	3,500 rpm	3,500 rpm	Run winding resistance at 25° C	1.24 Ω
Weight	22.93 lb	10.4 kg	Start winding resistance at 25° C	6.14 Ω
Oil Charge	11.84 oz.	350 ml	Locked rotor current	26.5 amps
Oil type	POE	ISO22	FLA: LBP -60Hz	3.9 amps

Compressor Cooling:


Fan cooled by forced draft over shell with 6 watt minimum fan.

Restrictor:

Expansion valve or capillary tube

Capacitor:

Start cap	145-174 mfd	165V
Run cap	N/A	N/A

	NEK2121GK1	LBP	115 V	404A
Specifications Approximate H. P. 1/3 Starting Torque High Refrigerant 404A Evaporator Temperature Low Evaporator Temperature -40° to 14°F			Usage Ice Machines Reach In Freezers Beer Coolers	

LBP Performance					
Temperature °F		-10			
Capacity BTU/Hr		1,212			
Power W		286			
Current Amps		4.04			
Temperature °C		-23.3			
Capacity Kcal/Hr		305			

LBP Rating	ASHRAE	Rating Point (Bolded above)	HBP Rating
Condensing	130°F		Condensing
Evaporator	-10°F		Evaporator
Return Gas	90°F		Return Gas
Ambient	90°F		Ambient
Liquid Temp.	90°F		Liquid Temp.

Material	Part number	Description	Compressor Cross Ref.	
Compressor	957DG71	NEK2121GK	Model	Appl.
Relay	2283055-ESP	MTRPH-59-08	AEA2380ZXA	LBP, HST
Overload	2321153-ESP	MRA38168-3261		
Start Cap	2252230-ESP	145-174 mfd / 250V		
Grommet	2221003			
Sleeve	2222015			

EMBRACO NORTH AMERICA, INC.
 1610 Satellite Blvd. Suite B, Duluth Ga, 30097 Phone: 678-805-3074