

embraco

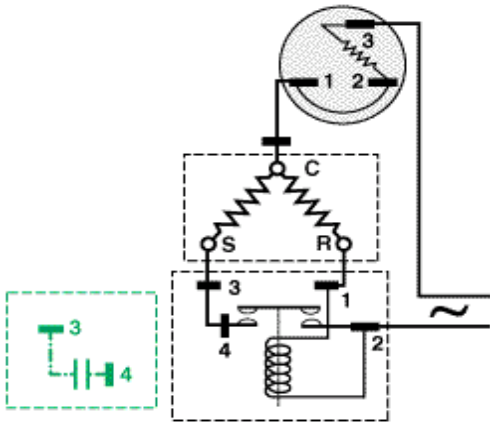
EMI60HER1

LBP

115 V

134a

Wiring Diagram



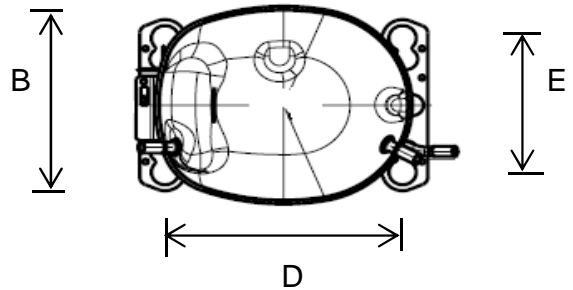
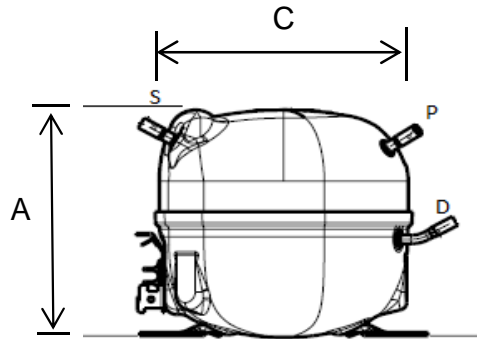
Compressor Terminals

- C = Common
- R = Run
- S = Start

Electrical components are supplied unassembled. Use of components other than specified will void warranty.

Dimensions (inches)

A:6.61" B:5.91" C:7.05" D:6.5" E:4"



Tube Diameter

ID	Inch	MM
Process	.256-1/4	6.5
Suction	.256-1/4	6.5
Discharge	.256-1/4	6.5

Technical Specifications

Rev 12-2017

Mechanical Data	English		Metric		Electrical Data	
	English	Metric	English	Metric	English	Metric
Bore	0.83 in	21 mm	Motor:		RSIR	
Stroke	0.57 in	14.4 mm	Voltage		115V / 60 Hz	
Displacement	0.305 cu in	4.99 cc	Voltage range		98-140V	
Speed	3,500 rpm	3,500 rpm	Run winding resistance at 25° C		3.4 Ω	
Weight	16.93 lb	7.68 kg	Start winding resistance at 25° C		9.4 Ω	
Oil Charge	5.41 oz.	160 ml	Locked rotor current		20.9 amps	
Oil type	POE	ISO22	FLA: L/MBP-60Hz		2.45 amps	

Compressor Cooling:


Static.
Fan Cooled by forced draft over shell with 6 watt minimum fan.

Restrictor:

Capillary Tube

Capacitor:

Start cap	N/A	N/A
Run Cap	N/A	N/A

	EMI60HER1	LBP	115 V	134a
Specifications Approximate H. P. 1/6 Starting Torque Normal Refrigerant 134a Evaporator Temperature Low Evaporator Temperature -31° to 14°F			Usage Drinking Water Coolers Dehumidifiers Ice Machines Reach In Refrigerators Beer Coolers	

LBP Performance					
Temperature °F	-31	-22	-10	5	14
Capacity BTU/Hr	238	356	570	902	1,144
Power Consumption W	94	110	136	166	186
Current Amps	1.66	1.74	1.93	2.06	2.19
Temperature °C	-35	-30	-23.3	-15	-10
Capacity Kcal/Hr	60	90	144	227	288

LBP Rating	ASHRAE	Rating Point (bolded above)	HBP Rating	ASHRAE
Condensing	130°F		Condensing	N/A
Evaporator	-10°F		Evaporator	N/A
Return Gas	90°F		Return Gas	N/A
Ambient	90°F		Ambient	N/A
Liquid Temp.	90°F		Liquid Temp.	N/A

Material	Part number	Description	Compressor Cross Ref.	
Compressor	513307987	EMI60HER1	Model	Appl.
Relay	513514083-ESP	Current relay		
Overload	513504690-ESP	4TM 762KFBYY-53		
Grommet	2221003			
Sleeve	2222015			

EMBRACO NORTH AMERICA, INC.
 1610 Satellite Blvd. Suite B, Duluth Ga, 30097 Phone: 678-805-3074