

embraco

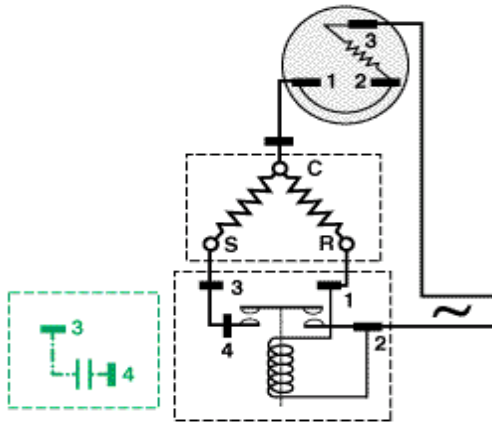
EM45HHR1

LBP-MBP-HBP

115V

134a

Wiring Diagram



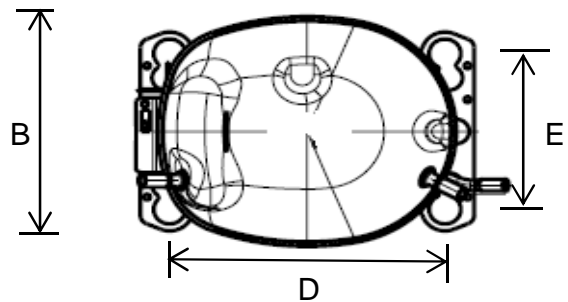
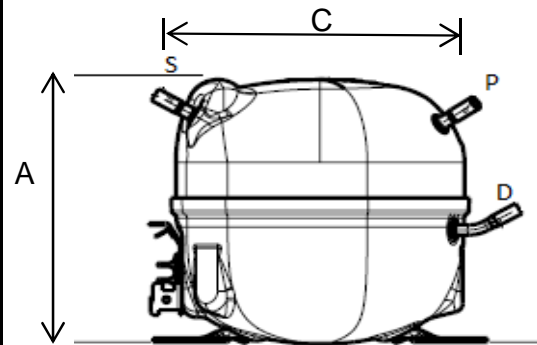
Compressor Terminals

- C = Common
- R = Run
- S = Start

Electrical components are supplied unassembled. Use of components other than specified will void warranty.

Dimensions (inches)

A:6.18" B:5.91" C:7.05" D:6.5" E:4.0"




Tube Diameter

ID	Inch	MM
Process	.255-1/4	6.5
Suction	.255-1/4	6.5
Discharge	.194-3/16	4.94

Technical Specifications

Rev 12-2017

Mechanical Data	English	Metric	Electrical Data	
Bore	0.75 in	19 mm	Motor	CSIR
Stroke	0.52 in	13.3 mm	Voltage	115V / 60 Hz
Displacement	0.23 cu in	3.77 cc	Voltage range	98-140V
Speed	3,500 rpm	3,500 rpm	Run winding resistance at 25° C	4.8 Ω
Weight	16.51 lb	7.49 kg	Start winding resistance at 25° C	12.95 Ω
Oil Charge	5.41 oz.	160 ml	Locked rotor current	17 amps
Oil type	POE	ISO22	FLA: L/MBP-60Hz	2.1 amps
Compressor Cooling: Static. Fan Cooled by forced draft over shell with 6 watt minimum fan.				
Restrictor: Capillary Tube			Capacitor:	
			Start cap	145-175 mfd 110V
			Run cap	N/A N/A

	EM45HHR1	LBP-MBP-HBP	115V	134a
Specifications Approximate H. P. 1/8 Starting Torque Normal Refrigerant 134a Evaporator Temperature Low/Med/High Evaporator Temperature -31° to 59°F			Usage Drinking Water Coolers Dehumidifiers Ice Machines Reach In Refrigerators Beer Coolers	

LBP Performance					
Temperature °F	-22	-10	5	14	32
Capacity BTU/Hr	269	420	670	846	1,294
Power W	87	107	127	142	176
Current Amps	1.36	1.46	1.58	1.68	1.92
Temperature °C	-30	-23.3	-15	-10	0
Capacity Kcal/Hr	68	106	169	213	326
HBP Performance					
Temperature °F	14	23	32	45	50
Capacity BTU/Hr	846	1,053	1,294	1,775	1,902
Power W	142	158	176	206	215
Current Amps	1.68	1.79	1.92	2.20	2.23
Temperature °C	-10	-5	0	7.2	10
Capacity Kcal/Hr	213	265	326	447	479
LBP Rating	ASHRAE	Rating Point (bolded above)	HBP Rating	ASHRAE	
Condensing	130°F		Condensing	130°F	
Evaporator	-10°F		Evaporator	45°F	
Return Gas	90°F		Return Gas	95°F	
Ambient	90°F		Ambient	95°F	
Liquid Temp.	90°F		Liquid Temp.	115°F	

Material	Part number	Description	Compressor Cross Ref.	
Compressor	513307091	EM45HHR1	Model	Appl.
Relay	513515292-ESP			
Overload	513634475-ESP	4TM 757MFBYY-53		
Start Cap	513556521-ESP	145-175 mfd / 165V		
Grommet	2221003			
Sleeve	2222015			

EMBRACO NORTH AMERICA, INC.
 1610 Satellite Blvd. Suite B, Duluth Ga, 30097 Phone: 678-805-3074