

# Global Manufacturer of Cooling Solutions



## Aftermarket Product Line

- Compressors R-134a, R-404A, R-290, Blend
- Condensing Units R-134a, R-404A
- Embraco Service Parts



# WE ARE **NIDEC GLOBAL APPLIANCE**

A global partner for home and commercial appliances industries

With over 15,000 employees across 9 countries, Nidec Global Appliance manufactures and commercializes products for home and commercial applications, including refrigeration solutions, motors for washing machines, dryers and dishwashers, as well as components for heating, ventilation and air-conditioning systems (HVAC). The division is part of Nidec Corporation, a global leader in motors and components for a wide variety of industries, with headquarters in Japan.

The business division manufactures and commercializes **Embraco's cooling systems and compressors for a variety of refrigeration equipment.**



Your **global partner** in refrigeration since 1971



**Home Appliances**  
Products for residential freezers, refrigerators and mini-fridges.

**Commercial Appliances**  
Compressors and cooling solutions for commercial applications, such as bottle coolers, chest freezers, reach-ins, ice machines, medical refrigerators etc.

**Aftermarket**  
Parts distribution, replacement and retail focused on retail owners, installers and contractors

Since 1971, Embraco offers a broad, efficient and competitive portfolio of cooling solutions for home appliances, food service, food retail, merchandisers and special applications. A pioneer brand in fostering the early development of variable speed and the use of natural refrigerants, Embraco continues to deliver innovation that exceeds the market's most challenging demands and anticipates industry trends.

Discover everything our digital tools can do for you



**Product Selector**  
Choose the best solution for your business products.[products.embraco.com/#/](https://products.embraco.com/#/)



**Refrigeration Club**  
Exclusive content for the refrigeration market. Keep updated! [refrigerationclub.com/](https://refrigerationclub.com/)









**Embraco Toolbox**  
7 features to facilitate your routine, such as catalog, cross reference and distributor locator.



**Embraco website**  
in 11 languages  
[www.embraco.com](https://www.embraco.com)

# Our compressors

<b>EM</b>	<b>APPLICATIONS</b>	<b>NT</b>	<b>APPLICATIONS</b>
	Refrigerators and freezers  Water cooler;  Beer dispenser; Reach-in; Chest freezer  Vending machine; Wine coolers;  Small dispenser; Food exhibitor  Beverage cooler; Ice maker		Beverage coolers; Ice maker  Beer dispenser; Reach-in; Chest Freezers  Upright cabinets  Ultra low temperature refrigerators; Professional kitchen  Slushy machine
Capacity Btu/h	Max Efficiency Btu/Wh	Capacity Btu/h	Max Efficiency Btu/Wh
LBP: 201.19 HBP: 1019.59	LBP: 6.14 HBP: 2.62	LBP: 1,964 - 5,695 HBP: 5,490 - 13,248	LBP: 5.01 HBP: 9.58
<b>NE</b>	<b>APPLICATIONS</b>	<b>NTU</b>	<b>APPLICATIONS</b>
	Beverage cooler; Ice maker  Beer dispenser; Reach-in; Chest freezer  Upright cabinets; Professional Kitchen  Slushy machine; Show cases  Refrigerators and freezers;  Professional kitchen; Show cases		Beverage cooler; Ice maker  Beer dispenser; Reach-in;  Upright cabinets;  Ultra low temperature refrigerators  Professional kitchen  Chest freezers
Capacity Btu/h	Max Efficiency Btu/Wh	Capacity Btu/h	Max Efficiency Btu/Wh
LBP: 637-3,239 HBP: 1,759 - 7,816	LBP: 5.32 HBP: 9.51	HBP: 8,266 - 18,186	HBP: 10.54
<b>F</b>	<b>APPLICATIONS</b>	<b>NJ</b>	<b>APPLICATIONS</b>
	Water cooler; Beverage coolers; Ice maker  Beer dispenser; Reach-in; Chest freezer  Professional kitchen; Vending machine  Wine coolers; Heat pumps  Food exhibitor; Refrigerated island;  Show cases		Beverage cooler; Ice maker  Reach-in; Chest freezer  Ultra low temperature refrigerators  Upright cabinets (air curtain)  Cold rooms
Capacity Btu/h	Max Efficiency Btu/Wh	Capacity Btu/h	Max Efficiency Btu/Wh
LBP: 546 - 1,671 HBP: 2,285 - 5371	LBP: 5.39 HBP: 9.96	LBP: 1,937 - 7,379 HBP: 8,685 - 20,167	LBP: 5.11 HBP: 9.96

# Nomenclature

## EM

EMIS70HHR

### COMPRESSOR FAMILY

EM

### PRODUCT GENERATION

- - Standard Efficiency
- I - 1st Generation
- T - 2nd Generation
- U - 3rd Generation
- Y - 4th Generation
- Z - 5th Generation
- X - 6th Generation

### MECHANICAL KIT

- S - Standard mechanical kit
- - Not standard

### COMPRESSOR CAPACITY

In Btu/h – 60Hz – ASHRAE  
Checkpoint divided by 10

### REFRIGERANT CODE

- - Blends
- C - R600a
- H - R134a
- U - R290
- L - R1234yf

### EFFICIENCY LEVEL

- N - Standard efficiency (LBP)
- J - Intermediate efficiency (LBP)
- E - Improved efficiency 1st generation (LBP)
- S - Improved efficiency 2nd generation (LBP)
- H - Standard efficiency (L/M/HBP)
- D - Standard efficiency (HBP)
- B - Standard efficiency (M/HBP)
- L - Improved efficiency 2nd generation (LBP)

### ELECTRICAL COMPONENT

- P - PTC + cap. func. (optional)
- R Relay
- C - PTC + cap. func. (mandatory)
- S - PTC + run capacitor + start capacitor
- V - PTC + run capacitor + start capacitor (optional)

- X - Relay + cap. part. (mandatory)

## F

FFUS130HAX

### COMPRESSOR FAMILY

F

### ELECTRICAL SYSTEM

#### F -

Relay/Overload protector  
Start capacitor (optional)

### PRODUCT GENERATION

- - Standard efficiency
- I - Improved efficiency 1st generation
- U - Improved efficiency 2nd generation (for commercial refrigeration)

### STANDARD PLATFORM

### COMPRESSOR CAPACITY

Approximate capacity in Btu/h – 60 Hz  
ASHRAE - Checkpoint divided by 10  
(for compressor FG, FFU and FFC)

### REFRIGERANT CODE

- H - R134a
- U - R290
- L - R1234yf

### APPLICATION

- A - L/MBP
- B - L/M/HBP

### STARTING TORQUE

- K - LST (Low starting torque)
- X - HST (High starting torque)

# Nomenclature

## NE/NT/NJ

	NE	K	6	214	Z
<b>COMPRESSOR FAMILY</b> EM - NE - NT - NJ					
<b>EFFICIENCY LEVEL</b>					
<b>APPLICATION CODE</b>					
1 = LBP - LST					
2 = LBP - HST					
3 = L/MBP - LST					
4 = L/MBP - HST					
5 = MBP* or HBP* - LST					
6 = MBP* or HBP* - HST					
7 = A/C					
9 = M/HBP - HST					
<b>COOLING CAPACITY</b>					
The first digit is the number of zeros that must be added to the last two digits to obtain the cooling capacity (approx) in kcal/h at 50 Hz. E.g. :214 -->1400 kcal/h at 50Hz					
<b>REFRIGERANT CODE</b>					
<b>GE - GF - GG</b> R407C 1 -					
<b>GK - GJ</b> R404A/R507/R452A 1 -					
<b>GS</b> R404A/R507/R452A 3 -					
<b>GP</b> R407C 3 -					
<b>R</b> gas recovery					
<b>U</b> R290 1 -					
<b>Z</b> R134a 1 -					
<b>ZX</b> R134a 3 -					
<b>Y</b> R600a					

# Technical information

<b>LPB</b>	<b>LOW BACK PRESSURE</b>	<b>APPLICATION</b>
	Evaporating temperature between -35 °C/ -31 °F and -10 °C/ 14 °F	refrigerators, island coolers, etc.
<b>MPB</b>	<b>MEDIUM BACK PRESSURE</b>	<b>APPLICATION</b>
	Evaporating temperature between -15 °C/ 5 °F and 0 °C/ 32 °F	self-service coolers, beverage display, etc.
<b>HPB</b>	<b>HIGH BACK PRESSURE</b>	<b>APPLICATION</b>
	Evaporating temperature between 0 °C/ 32 °F and 15 °C/ 59 °F	self-service coolers, GDM, wine cooler, etc.

## Test Conditions

TEST CONDITIONS	APPLICATION	EVAPORATING TEMPERATURE °C / °F	CONDENSING TEMPERATURE °C / °F	RETURN TEMPERATURE °C / °F	SUB - COOLING K	AMBIENT TEMPERATURE °C / °F
ASHRAE	LBP	-23.3 / -10	54.4 / 130	32.2 / 90	22.2	32.2 / 90
	M/HBP	7.2 / 45	54.4 / 130	35 / 95	8.3	35 / 95
ARI	LBP	-23.3 / -10	48.9 / 120	4.4 / 40	0	35 / 95
	MBP	-6.7 / 20	48.9 / 120	4.4 / 40	0	35 / 95
	HBP	7.2 / 45	54.4 / 130	18.3 / 65	8.3	35 / 95

## Cooling Type

<b>STATIC (S)</b>	Compressors approved for static cooling are those that don't allow operation of a fan motors associated with the condenser.
<b>FAN (F)</b>	Compressors approved for forced cooling are those that require the operation of a fan motors associated with the condenser.
<b>STATIC/FAN (E/F)</b>	Compressors approved for static and forced cooling are those which may or may not be used with fan motors associated with the condenser.

## Motor Torque

<b>LST</b>	(Low Starting Torque) Low starting torque: LBP/MBP/HBP/AC applications with RSIR/RSCR/PSC electric motors, Appropriate for systems with a capillary tube (c) expansion type device and equalized pressures on start up.
<b>HST</b>	(High Starting Torque) High starting torque: LBP/MBP/HBP/AC applications with CSIR/CSR electric motors, Appropriate for systems with expansion valve (V) or capillary tube expansion type device with disequalized pressures start up.

Refrigerant	PREVIOUS MODELS							OPTIMIZED AFTERMARKET MODELS						
	Model	Application	HP	Capacity (BTU/H) - ASHRAE				Model	Application	HP	Capacity (BTU/H) - ASHRAE			
				LBP	MBP	HBP32	HBP46				LBP	MBP	HBP32	HBP46
R-134a	EM20HHR	L/M/HBP	1/12	200	485	1020		EM20HHR	L/M/HBP	1/12	200	485	1020	
	EM30HHR	L/M/HBP	1/10	310		1380								
	EMU30HSC	LBP	1/10	328				EMIS30HHR	L/M/HBP	1/10	340	742	1480	
	EM130HER	LBP	1/10	275										
	EMIS30HHR	L/M/HBP	1/10	340	742	1480								
	EMI40HNR	LBP	1/10	380										
	EM45HNR	LBP	1/8	420				EM45HHR	L/M/HBP	1/8	420	866	1775	1523
	EMI45HER	LBP	1/8	420										
	EM45HHR	L/M/HBP	1/8	420	866	1775	1523							
	EMI50HER	LBP	1/6	510										
	EM55HNR	LBP	1/6	510				EMI55HER	LBP	1/6	510			
	EMI55HER	LBP	1/6	510										
	EM55HHR	HBP	1/6			2150	1837	EM55HHR	HBP	1/6			2150	1837
	EMI60HER	LBP	1/6	570				EMI60HER	LBP	1/6	570			
	FF7.5HBK	L/M/HBP	1/5+	630	1501	2760								
	FF6HBK	L/M/HBP	1/5	570		2520		FF7.5HBK	L/M/HBP	1/5+	630	1501	2760	
	EGZS70HLC	LBP	44200	695										
	EGY70HLP	LBP	1/4	685										
	EM65HHC	L/M/HBP	1/6+	645		2600								
	EM65HHR	M/HBP	1/6+		1279	2600								
	EM65HNR	L/MBP	1/6+	650										
	EMI70HER	LBP	1/5	705				EMIS70HHR	L/M/HBP	1/5	700	1601	2870	2581
	EMI70HNR	L/MBP	1/5	705										
	EMIS70HHR	L/M/HBP	1/5	700	1601	2870	2581							
	EM2Z80HLT	LBP	1/4	815				EM2Z80HLT	LBP	1/4	815			
	FF8.5HBK	L/M/HBP	1/4	740	1556	3135	2833	FF8.5HBK	L/M/HBP	1/4	740	1556	3135	2833
	FF10HBX	L/M/HBP	1/4+	840	1973	3650		FF10HBX	L/M/HBP	1/4+	840	1973	3650	
	EGU90HLC	LBP	1/4+	950										
	FFU100HAK	L/MBP	1/3	985				FFI10HBX	L/M/HBP	1/3	1065	2239	4400	3934
	FFI10HBX	L/M/HBP	1/3	1065	2239	4400	3934							
	FFI12HBK	L/M/HBP	1/3+	1190	2547	5300	4600	FFI12HBX	L/M/HBP	1/3+	1190	2547	5300	4600
	FFI12HBX	L/M/HBP	1/3+	1190	2547	5300	4600							
	FFU80HAX	L/MBP	1/4+	828	2030			FFU80HAX	L/MBP	1/4+	828	2030		
	FFUS100HAX	L/MBP	1/3	1004	2262			FFUS100HAX	L/MBP	1/3	1004	2262		
	FFU130HAX	L/MBP	1/3+	1250	3022									
	FFI12HBK	L/M/HBP	1/3+	1190	2547	5300	4600	FFU130HAX	L/MBP	1/3+	1250	3022		
	FFI12HBX	L/M/HBP	1/3+	1190	2547	5300	4600							
	FFU160HAX	L/MBP	1/2	1516	3605			FFU160HAX	L/MBP	1/2	1516	3605		
	NE2121Z	LBP	1/4	950	1945			NE2121Z	LBP	1/4	950			
	NE2130Z	LBP	1/3	1252	2481			NE2130Z	LBP	1/3	1252			
	NE2134Z	LBP	1/2	1450	2782			NE2134Z	LBP	1/2	1450			
	NEK2140Z	LBP	1/2	1706										
	NEU2140Z	LBP	1/2	1748				NEU2140Z	LBP	1/2	1748			
	NB5132Z	M/HBP	1/6			1729								
	NB6132Z	M/HBP	1/6			1773		NEK6132Z	M/HBP	1/6		800		1762
	NEK6132Z	M/HBP	1/6		782	1762								
	NB5144Z	M/HBP	1/5-			2112								
	NB6144Z	M/HBP	1/6+			2112		NEK6144Z	M/HBP	1/6		1000		2183
	NEK6144Z	M/HBP	1/6		988	2183								
	NE5160Z	M/HBP	1/4			2857								
NE6160Z	M/HBP	1/4			2857		NEU6160Z	M/HBP	1/4		1918		3107	
NEU6160Z	M/HBP	1/4		1918	3107									
NEK6160Z	M/HBP	1/4			2884									
NE6170Z	M/HBP	1/4+		1669		3222	NEK6170Z	M/HBP	1/4		1872	3780	3336	
NE5170Z	M/HBP	1/4+			3278									
NEK6170Z	M/HBP	1/4+		1872	3780	3336								
NEK6187Z	M/HBP	1/3+		2119	4321	3830								
NEU6187Z	M/HBP	1/3+		2285		4133	NEU6187Z	M/HBP	1/3+		2285		4133	
NE6187Z	M/HBP	1/3+			4371									
NE5187Z	M/HBP	1/3+			4371									
NEK6210Z	M/HBP	1/3+		2537	5140	4524								
NEU6210Z	M/HBP	1/3+		2916		4867	NEU6210Z	M/HBP	1/3+		2916		4867	
NE6210Z	M/HBP	1/2-			4944									
NEK6212Z	M/HBP	1/2		2935	5923	5178	NEU6212Z	M/HBP	1/2		3142		5675	
NEU6212Z	M/HBP	1/2		3142		5675								
NEK6214Z	M/HBP	3/4-		3343	6769	5960	NEU6214Z	M/HBP	1/2		3677		6402	
NEU6214Z	M/HBP	1/2		3911		6429	NEU6214Z2	M/HBP	1/2		3677		6402	
T6213Z	M/HBP	1/2+			5855									
T6215Z	M/HBP	3/4			6880		NT6215Z	M/HBP	1/2+		3739		6626	
NT6215Z	M/HBP	1/2+		3739		6626								
T6217Z	M/HBP	3/4+			7564		NT6217Z	M/HBP	3/4+		4249		7460	
NT6217Z	M/HBP	3/4+		4336		7460								
NT6220Z	M/HBP	1		4711		8414	NT6220Z	M/HBP	1		4711		8414	
NJ6220Z	M/HBP	1		5348		10169	NJ6220Z	M/HBP	1		5343		10169	
J6220Z	M/HBP	1				10169								
NJ6220ZX	M/HBP	1				10169	NJ6220ZX	M/HBP	1		5343		10169	
NJ6226Z	M/HBP	1 1/4		5958		11130	NJ6226Z	M/HBP	1 1/4		5821		11130	
J6226Z	M/HBP	1 1/4		6482	11882	11130								
NJ6226ZX	M/HBP	1 1/4				11882	NJ6226ZX	M/HBP	1 1/4		6555		11882	

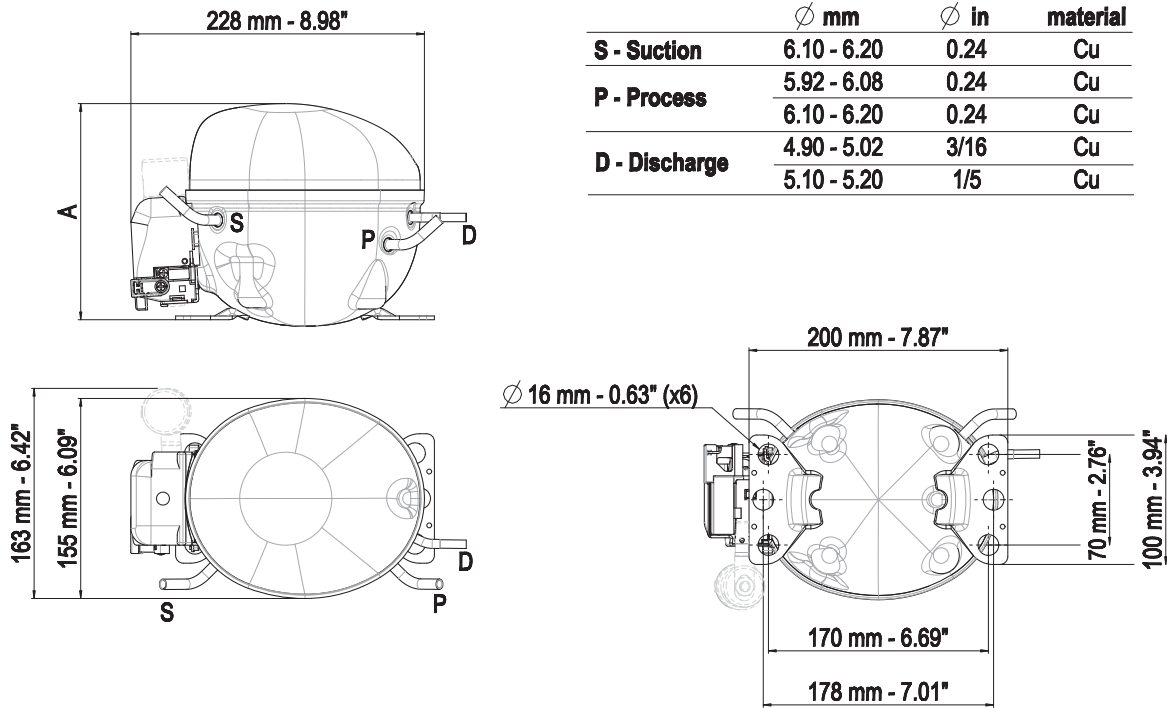
Refrigerant	PREVIOUS MODELS							OPTIMIZED AFTERMARKET MODELS						
	Model	Application	HP	Capacity (BTU/H) - ASHRAE				Model	Application	HP	Capacity (BTU/H) - ASHRAE			
				LBP	MBP	HBP32	HBP46				LBP	MBP	HBP32	HBP46
R-404A	NEK2121GK	LBP	1/3	1212				NEK2121GK	LBP	1/3	1212			
	NE2125GK	LBP	1/3	1242										
	NEK2125GK	LBP	1/3+	1458				NEK2125GK	LBP	1/3+	1458			
	NE2134GK	LBP	1/2	1893				NEK2134GK	LBP	1/2	1948			
	NEK2134GK	LBP	1/2	1948										
	NEU2140GK	LBP	1/2	1925				NEU2140GK	LBP	1/2	1925			
	NEK2150GK	LBP	1/2+	2493				NEK2150GK	LBP	1/2+	2493			
	NEU2155GK	LBP	3/4	2603				NEU2155GK	LBP	3/4	2603			
	NEK2168GK	LBP	3/4	2841				NEU2168GK	LBP	3/4	3071			
	NEU2168GK	LBP	3/4	3071										
	NEU2178GK	LBP	1	3602				NEU2178GK	LBP	1				
	T2155GK	LBP	1/2+	2330										
	T2168GK	LBP	3/4	3008				NT2168GKV	LBP	3/4	2628			
	NT2168GK	LBP	3/4	2628										
	NT2168GKV	LBP	3/4	2628										
	T2180GK	LBP	1	3872										
	T2178GK	LBP	1	3644				NT2180GKV	LBP	1	3962			
	NT2178GK	LBP	1	3585										
	NT2178GKV	LBP	1	3585										
	NT2180GKV	LBP	1	3962										
	NT2192GKV	LBP	1 1/4	4306				NT2192GKV	LBP	1 1/4	4306			
	NJ2192GK	LBP	1 1/4	4500				NJ2192GK	LBP	1 1/4	4500			
	NJ2192GJ	LBP	1 1/4	4775				NJ2192GJ	LBP	1 1/4	4775			
	NT2212GKV	LBP	1 1/2	5710				NT2212GKV	LBP	1 1/2	5710			
	NJ2212GK	LBP	1 1/2	5911				NJ2212GK	LBP	1 1/2	5911			
	NJ2212GJ	LBP	1 1/2	6309				NJ2212GJ	LBP	1 1/2	6309			
	NEK6181GK	M/HBP	1/3+		2601	5037	4255	NEU6181GK	MBP	1/3+		2260		
	NEU6181GK	MBP	1/3+		2260									
	NEU6210GK	MBP	1/3		2603			NEU6210GK	MBP	1/3		2603		
	NEK6210GK	M/HBP	1/2		3210	6500	5355	NEK6210GK	MBP	1/2		3210		5355
	NE6210GK	M/HBP	1/2-		2854		5030							
	NEU6212GK	MBP	1/2		3375			NEU6212GK	MBP	1/2		3375		
	NEK6213GK	M/HBP	1/2+		4235	8321	6660	NEK6213GK	MBP	1/2+		4102		6660
	NE9213GK	M/HBP	0.75		4009		6914							
	NEU6214GK	MBP	1/2		3658			NEU6214GK	MBP	1/2		3658		
	NEU6215GK	MBP	3/4		4427			NEU6215GK	MBP	3/4		4427		
	NEU6220GK	MBP	3/4		5143			NEU6220GK	MBP	3/4		5143		
	NT6217GKV	M/HBP	3/4		4369		7380	NT6217GKV	MBP	3/4		4369		7380
	NT6217GK	M/HBP	3/4		4330		7380							
	T6217GK	M/HBP	3/4+				7939							
	NT6220GKV	M/HBP	3/4		5015		8706	NT6220GKV	MBP	3/4		5015		8706
	NT6220GK	M/HBP	3/4		4926		8464							
	T6220GK	M/HBP	1-				9252.5							
	NT6222GKV	M/HBP	1		6447		10376	NT6222GKV	MBP	1		6447		10376
	NT6222GK	M/HBP	1				10376							
	T6222GK	M/HBP	1				11276							
	NT6224GKV	M/HBP	1		7348		12326	NT6224GKV	MBP	1		7348		12326
	NJ9226GK	MBP	1+		7300			NJ9226GK	MBP	1+		7300		
	NJ9226GS	MBP	1+		7723			NJ9226GS	MBP	1+		7723		
	NT6226GKV	M/HBP	1+		7983		13258	NT6226GKV	MBP	1+		7983		13258
NT6226GK	M/HBP	1+		8292		13258								
NTU6232GKV	MBP	1 +		8650			NTU6232GKV	MBP	1 +		8650			
NTU6234GKV	MBP	1 1/4		10397			NTU6234GKV	MBP	1 1/4		10397			
NJ9232GK	MBP	1 1/4		9066			NJ9232GK	MBP	1 1/4		9066			
NJ9232GS	MBP	1 1/4		9158			NJ9232GS	MBP	1 1/4		9158			
NTU6238GKV	MBP	1 1/2		11432			NTU6238GKV	MBP	1 1/2		11432			
NJ9238GK	MBP	1 1/2		10743			NJ9238GK2	MBP	1 1/2		10743			
NJ9238GS	MBP	1 1/2		11324			NJ9238GS	MBP	1 1/2		11324			
NTU6240GKV	MBP	1 1/2		11811			NTU6240GKV	MBP	1 1/2		11811			
NJX6250GK	MBP	2		13000			NJX6250GK	MBP	2		13000			



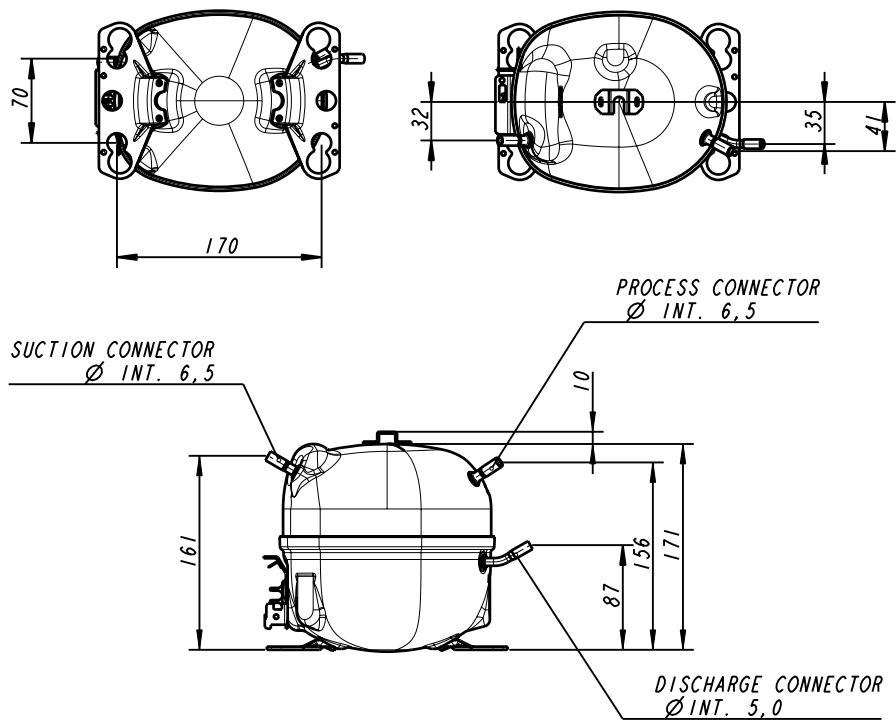
Refrigerant	PREVIOUS MODELS							OPTIMIZED AFTERMARKET MODELS						
	Model	Application	HP	Capacity (BTU/H) - ASHRAE				Model	Application	HP	Capacity (BTU/H) - ASHRAE			
				LBP	MBP	HBP32	HBP46				LBP	MBP	HBP32	HBP46
R-290	EMI50UER	L/MBP	1/6	522	1211			EMI50UER	L/MBP	1/6	522	522		
	EM2X3113U	L/MBP	1/7+	665				EMI70UER	L/MBP	1/5+	699	699		
	EMI70UER	L/MBP	1/5+	699	1538			EMX3115U	L/MBP	1/5	756	756		
	EMX3115U	L/MBP	1/5	756	1546			EMI90UEX	L/MBP	1/4+	947	947		
	EM2X3117U	L/MBP	1/5	880				EMC3121U	L/MBP	1/4	1002	1002		
	EMI90UEX	L/MBP	1/4+	947	1798			EMC3125U	L/MBP	1/4	1177	1177		
	EM2X3121U	L/MBP	1/4+	1135	1976			FFU130UAX	L/MBP	1/3+	1358	1358		
	EMC3121U	L/MBP	1/4	1027	2237			EMC3130U	LBP	1/3	1426	1426		
	EM2X3125U	L/MBP	1/4+	1231	2163			EMC3134U	L/MBP	1/2	1692	1692		
	EMC3125U	L/MBP	1/4	1235	2584			FFU160UAX	L/MBP	1/2	1718	1718		
	NEU6181U	MBP	1/3		2465			EMC3140U	L/MBP	1/2	1991	1991		
	FFU130UAX	L/MBP	1/3+	1358	2447			NEU2140U	LBP	1/2	1965	1965		
	EMC3130U	LBP	1/3	1426				NEU2155U	LBP	1/2	2586	2586		
	EMC3134U	L/MBP	1/2	1692				NEU2168U	LBP	3/4	3241	3241		
	FFU160UAX	L/MBP	1/2	1718	2969			NEU2178U	LBP	1	3597	3597		
	EMC3140U	L/MBP	1/2	1991				NT2160UV	LBP	3/4	2822	2822		
	NEU2140U	LBP	1/2	1965				NT2170UV	LBP	3/4	3315	3315		
	NEU2155U	LBP	1/2	2586				NT2180UV	LBP	1	3577	3577		
	NEU2168U	LBP	3/4	3241				NT2210UV	LBP	1 1/4	4514	4514		
	NEU2178U	LBP	1	3597				NEU6214U	MBP	3/4				
NT2160UV	LBP	3/4	2822				NEU6217U	MBP	3/4					
NT2170UV	LBP	3/4	3315											
NT2180UV	LBP	1	3577											
NT2210UV	LBP	1 1/4	4514											
NEU6214U	MBP	3/4		4180										
NEU6217U	MBP	3/4		5190										

# External Views

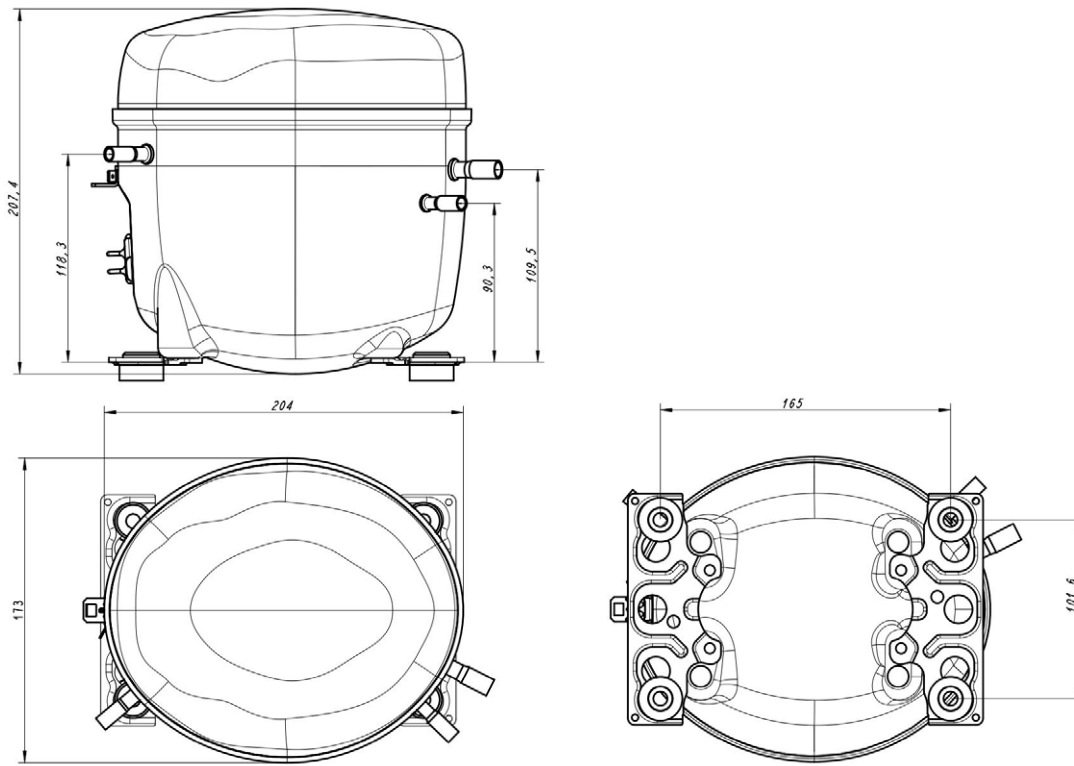
## DWG01 - EMC / EM2 SERIES



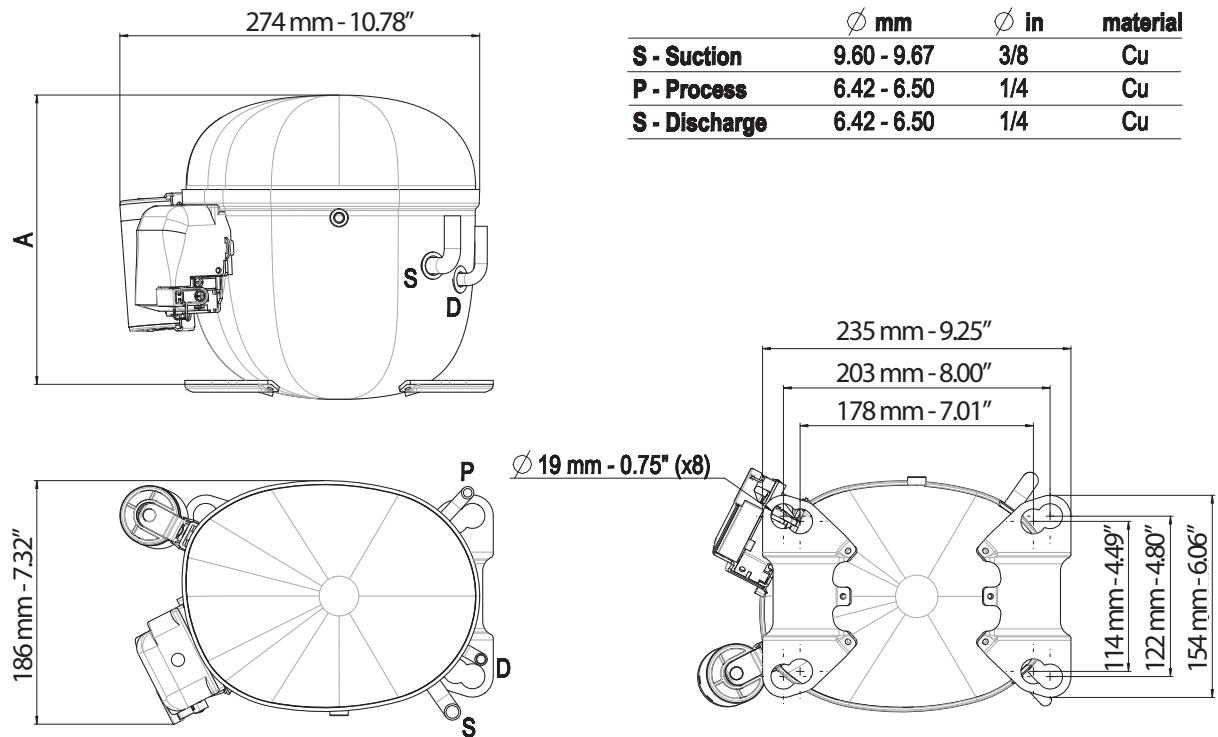
## DWG01 - EM AMERICA SERIES



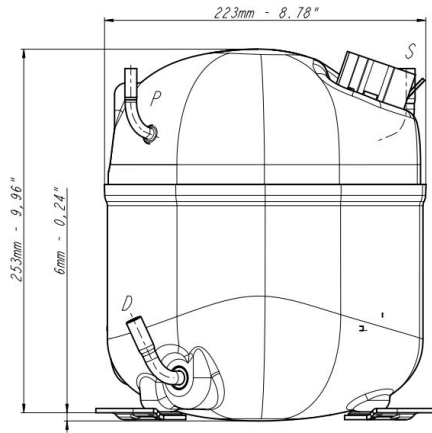
## DWG09 - F SERIES



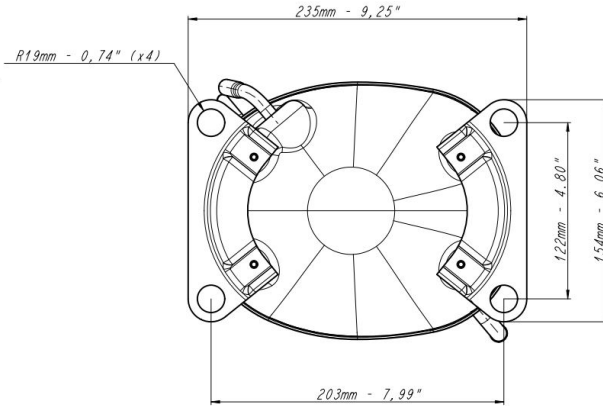
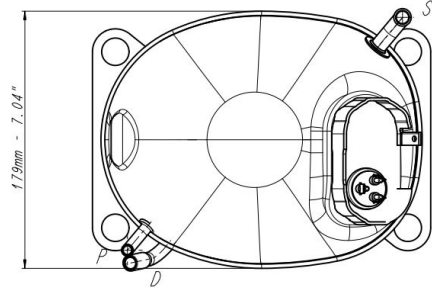
## DWG16 - NT SERIES



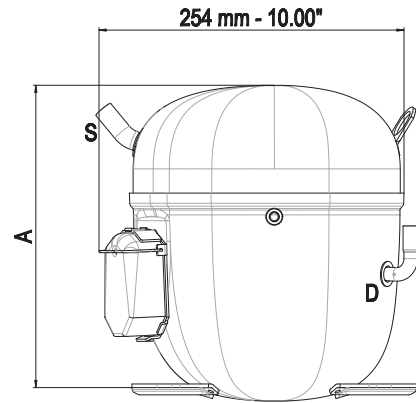
# External Views



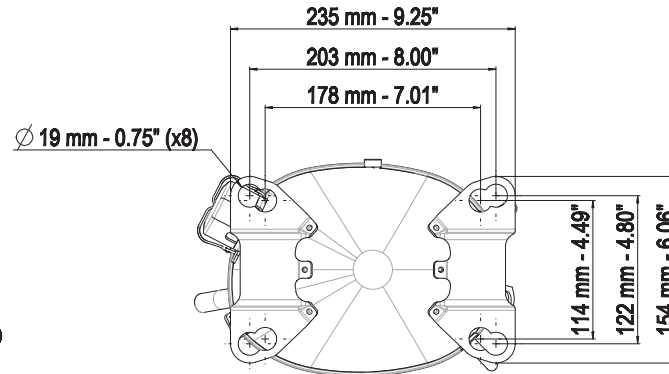
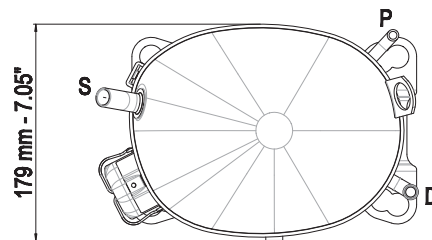
**DWG18 - NJ SERIES**



**DWG19 - NTU SERIES**

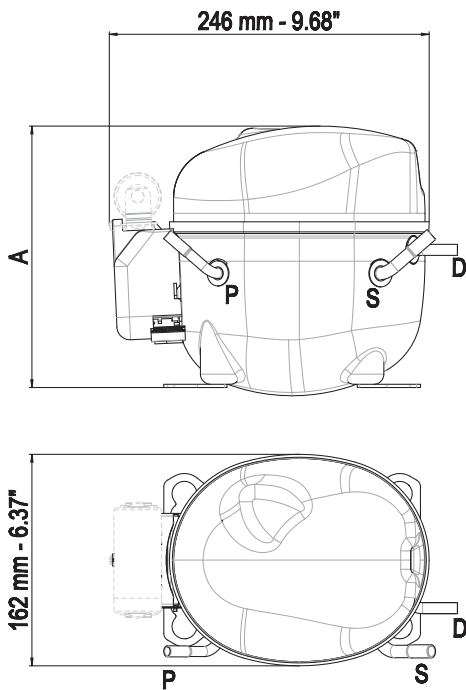


	∅ mm	∅ in	material
<b>S - Suction</b>	12.77 - 12.85	1/2	Cu
<b>P - Process</b>	6.42 - 6.50	1/4	Cu
<b>S - Discharge</b>	9.60 - 9.67	3/8	Cu

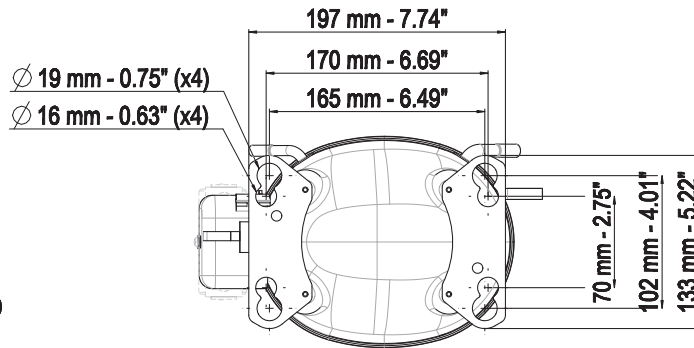


# External Views

## DWG04 - NE SERIES

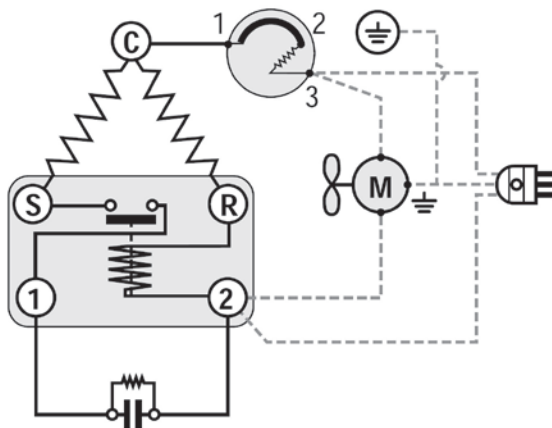


	∅ mm	∅ in	material
<b>S - Suction</b>	8.03 - 8.10	0.32	Cu
<b>P - Process</b>	6.45 - 6.55	0.25	Cu
<b>S - Discharge</b>	6.45 - 6.55	0.25	Cu

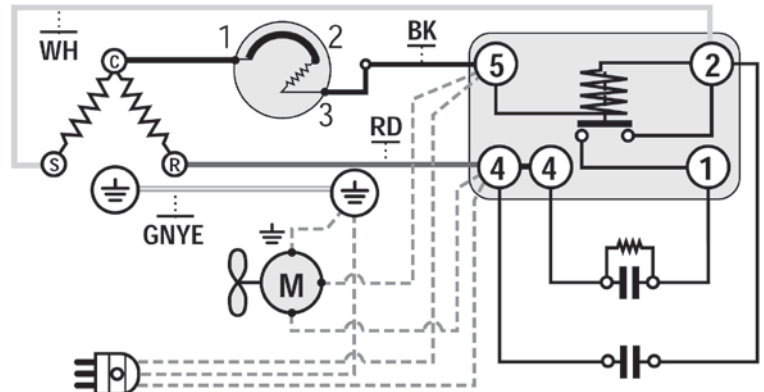


# Wiring Diagrams

## SM04 - NE SERIES CSIR



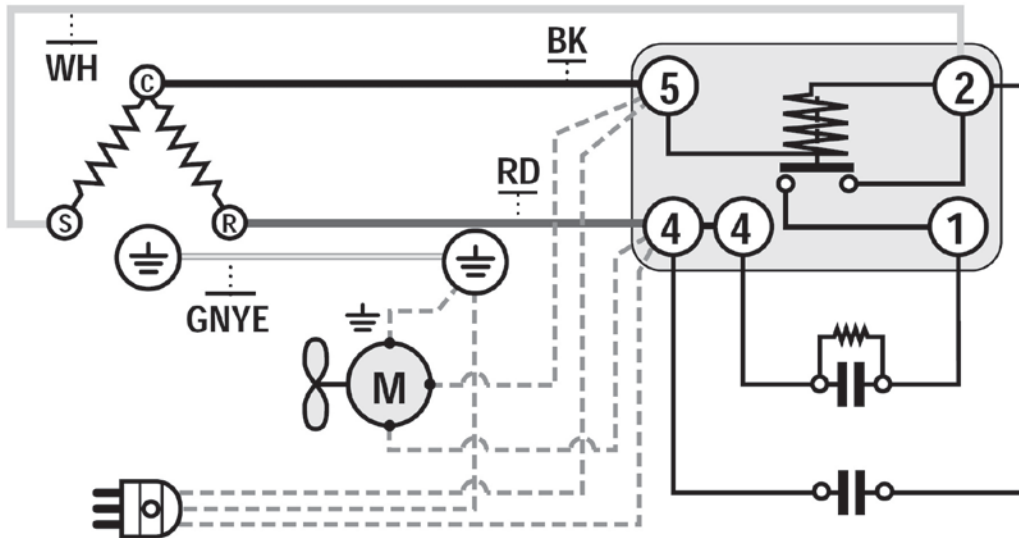
## SM06 - NE SERIES CSR BOX



# Wiring Diagrams

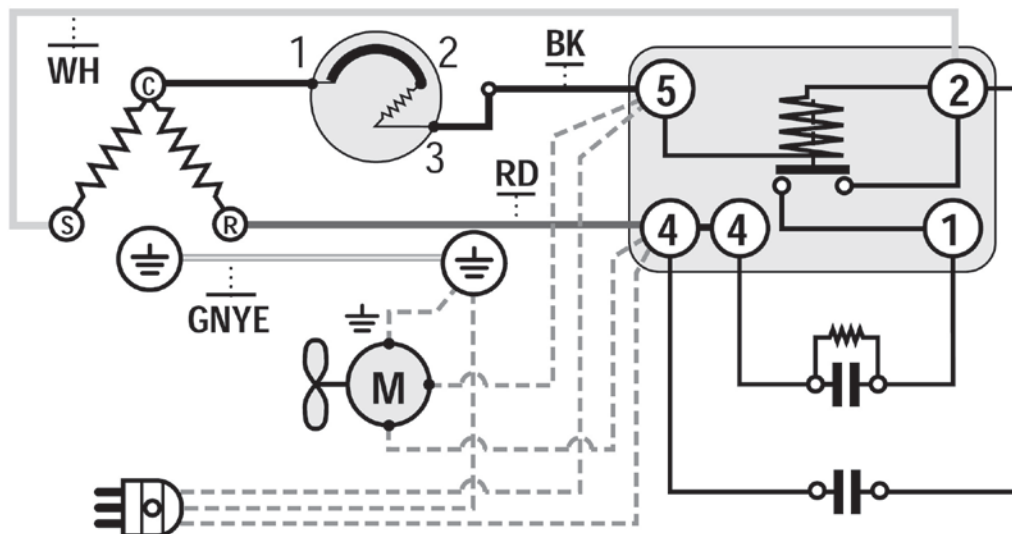
## SM16 - NJ SERIES CSR BOX

(INTERNAL OVERLOAD PROTECTOR)



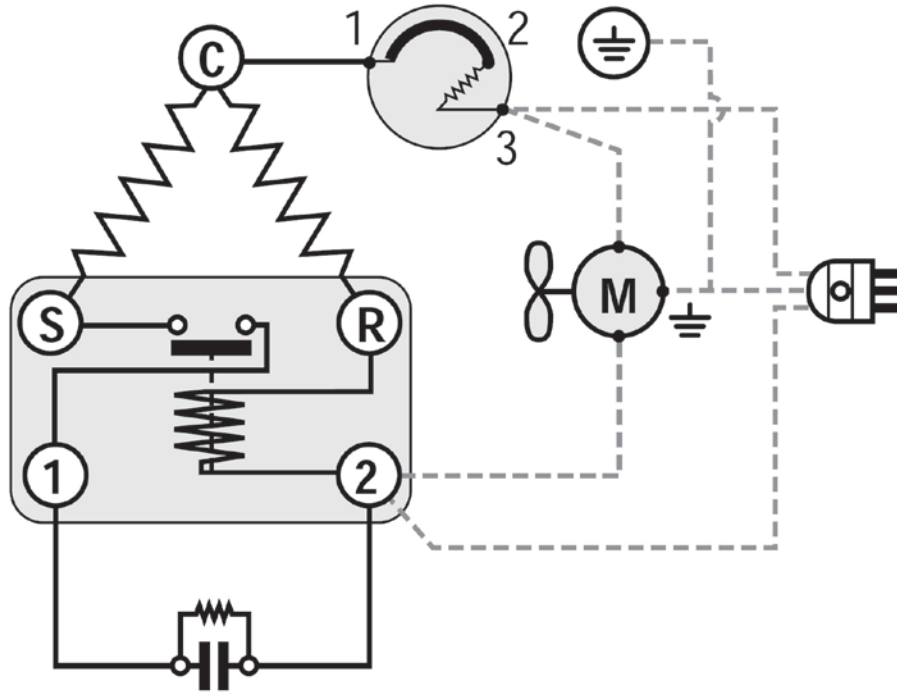
## SM17 - NJ SERIES CSR BOX

(EXTERNAL OVERLOAD PROTECTOR)

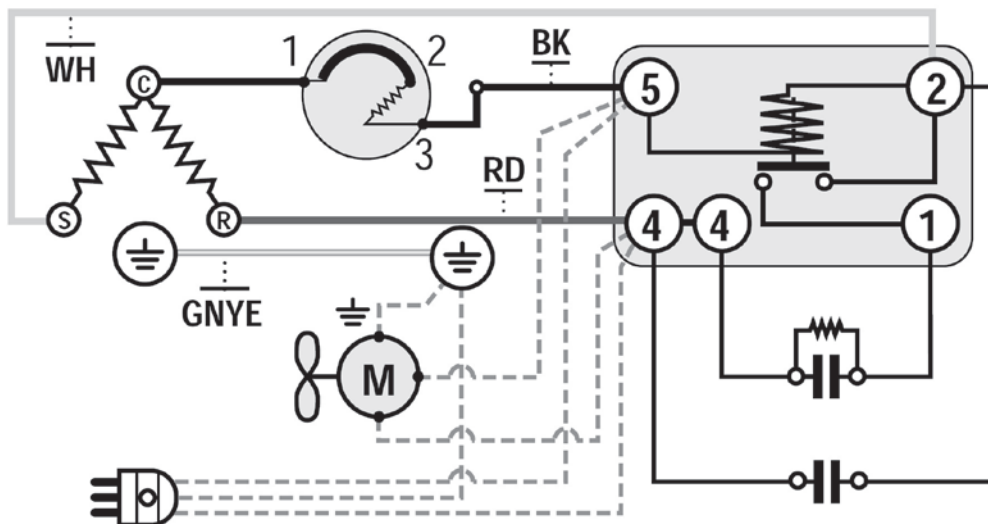


# Wiring Diagrams

**SM20 - NT SERIES CSIR**

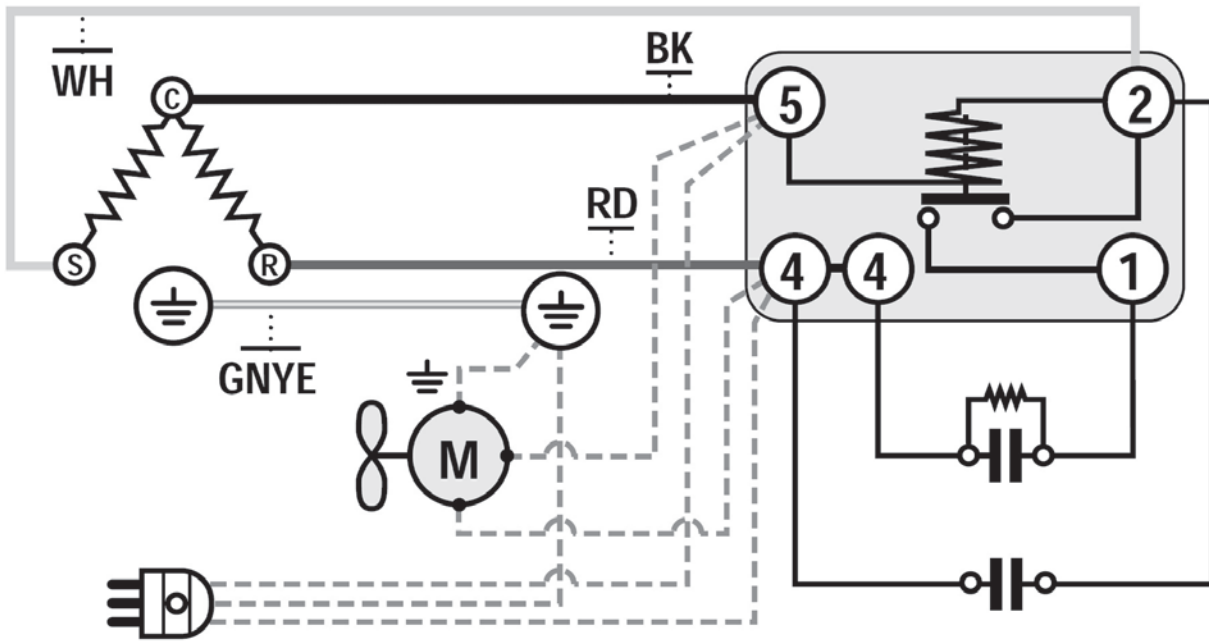


**SM21 - NT SERIES CSR BOX**

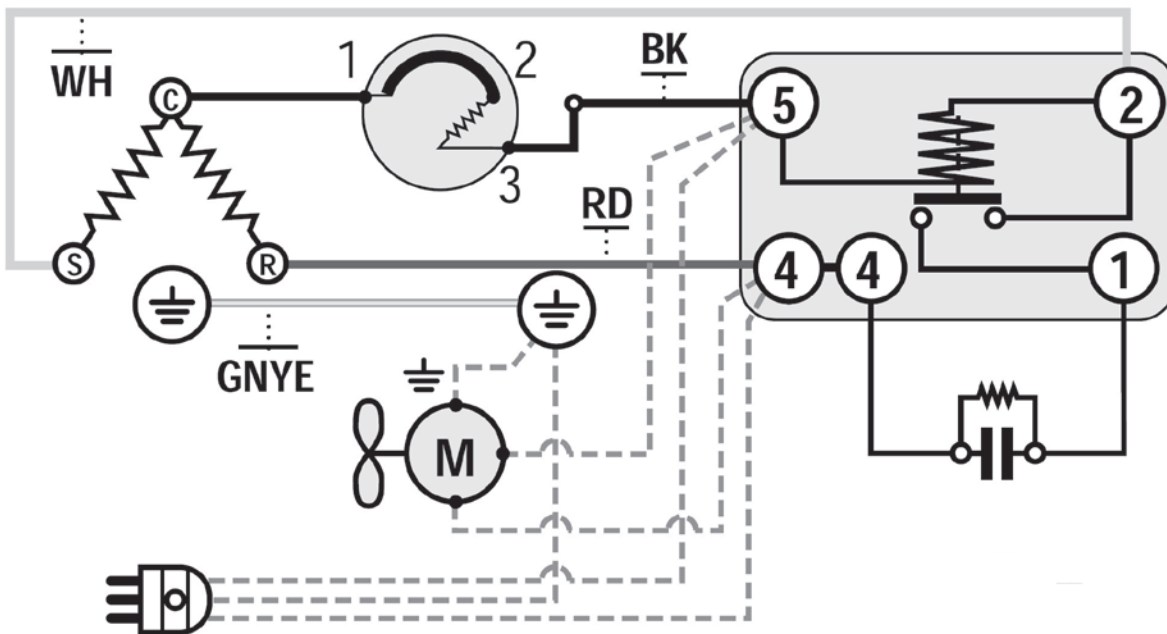


## SM26 - NT SERIES CSR BOX

(INTERNAL OVERLOAD PROTECTOR)

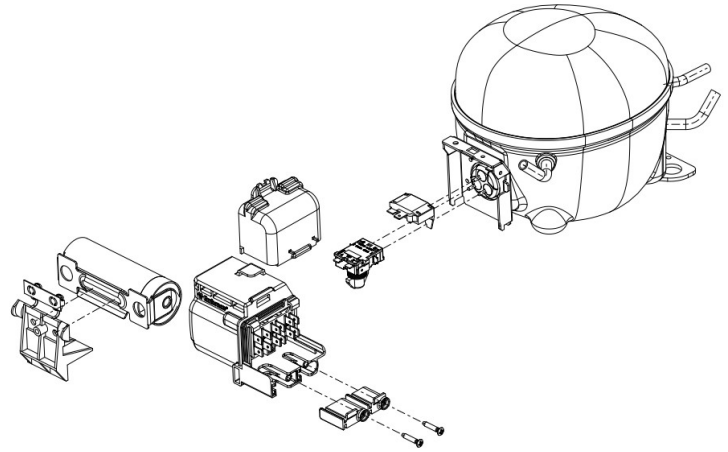
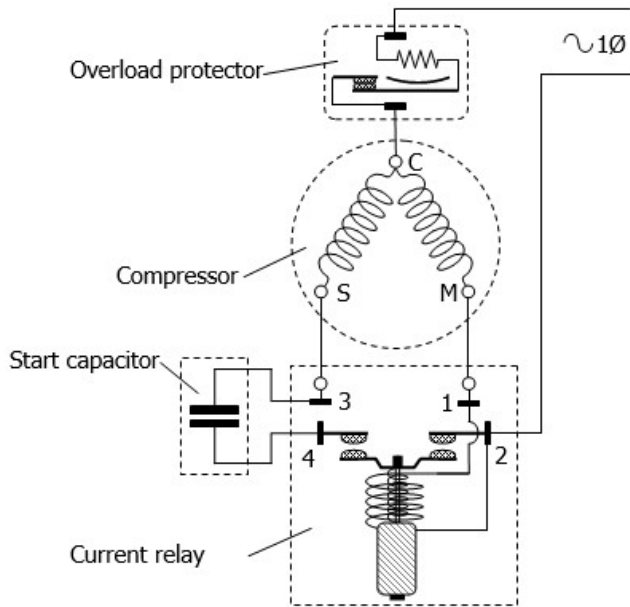


## SM28 - NJ SERIES CSIR BOX

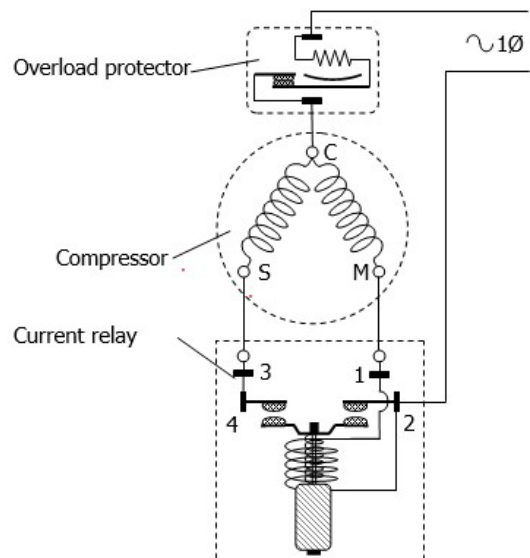
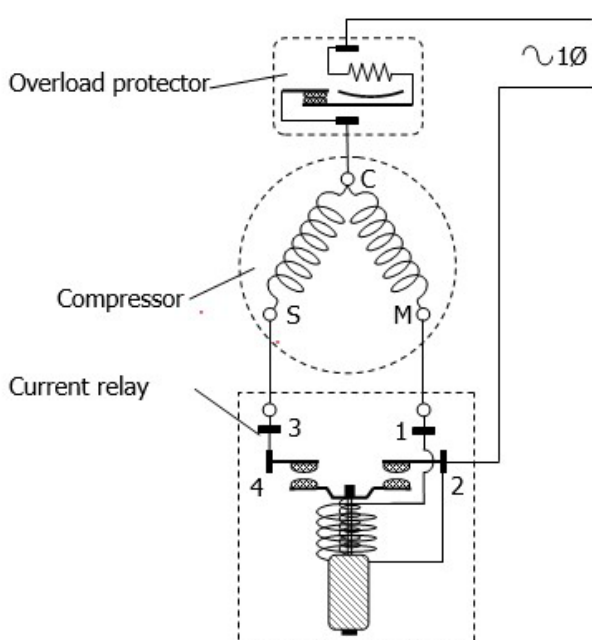




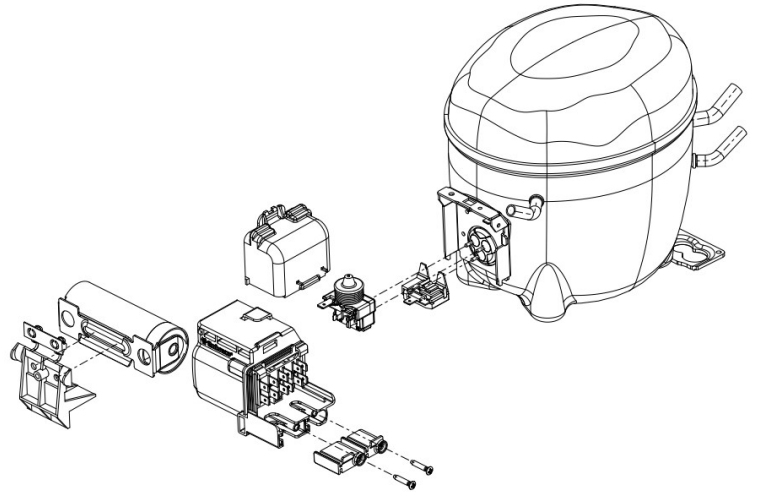
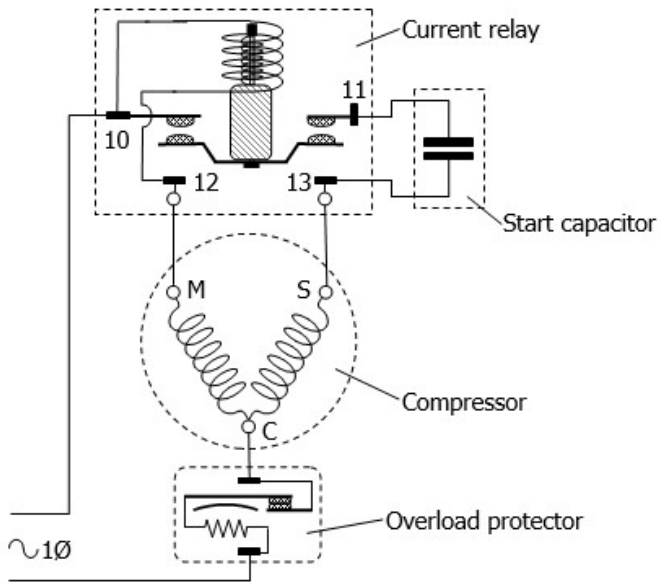
**SM07 - EM - CURRENT RELAY+ OLP 4TM + START CAP.**



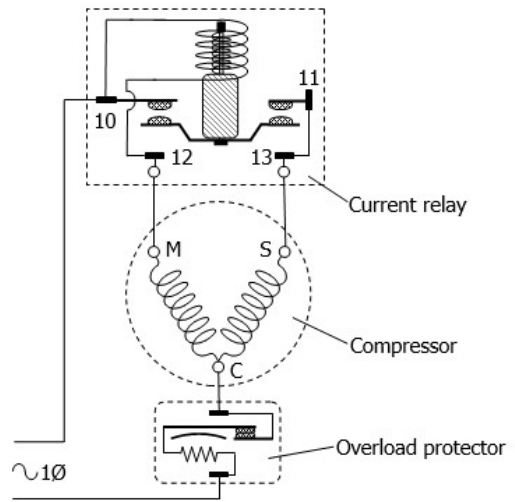
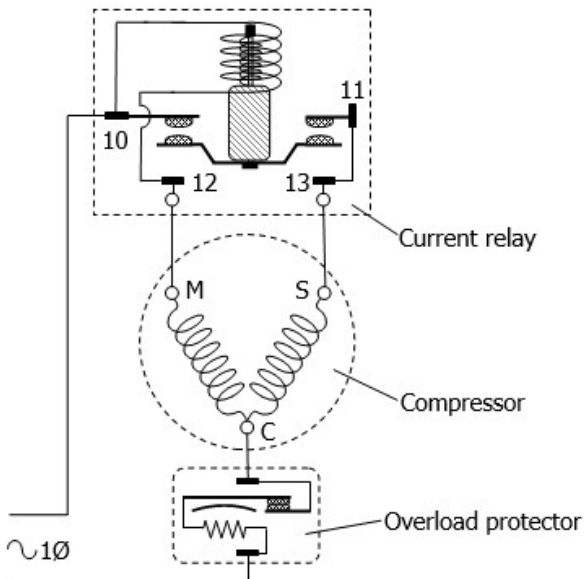
**SM07 - EM - CURRENT RELAY + OLP 4TM W/O START CAP.**



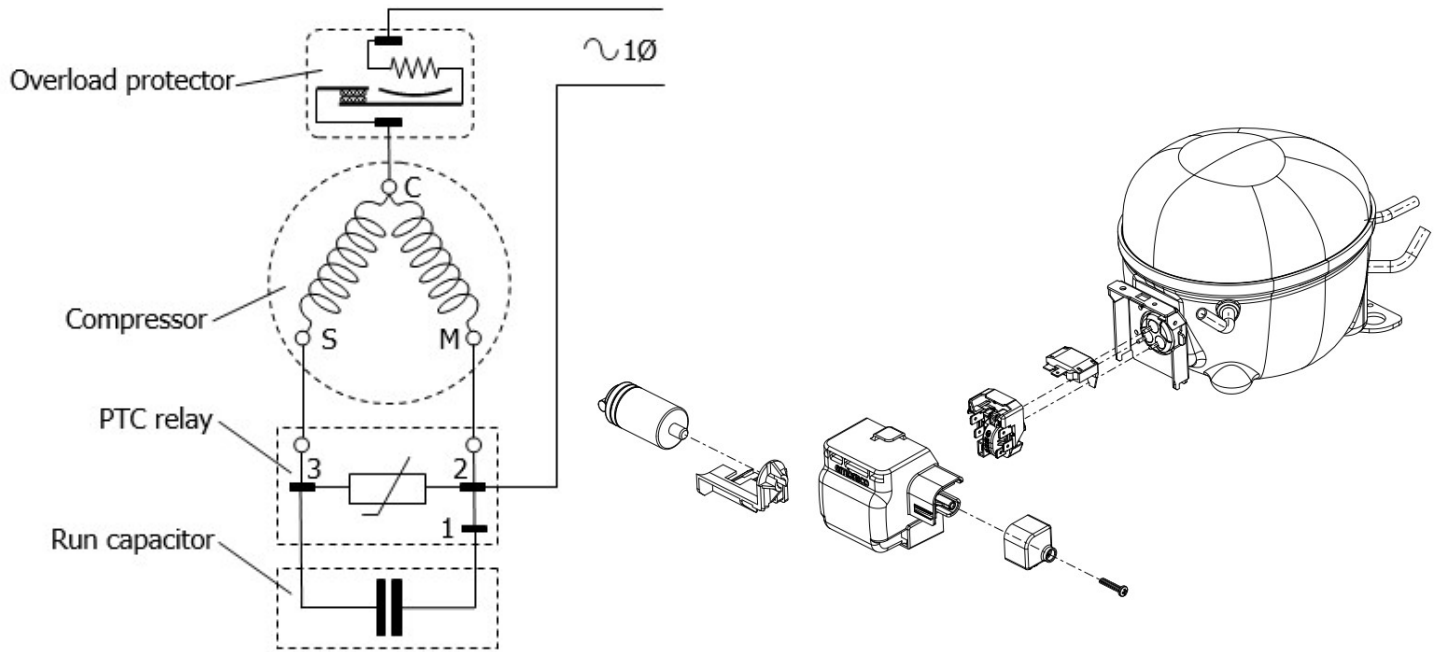
**SM08 - F / EG – CURRENT RELAY + OLP 4TM + START CAP**



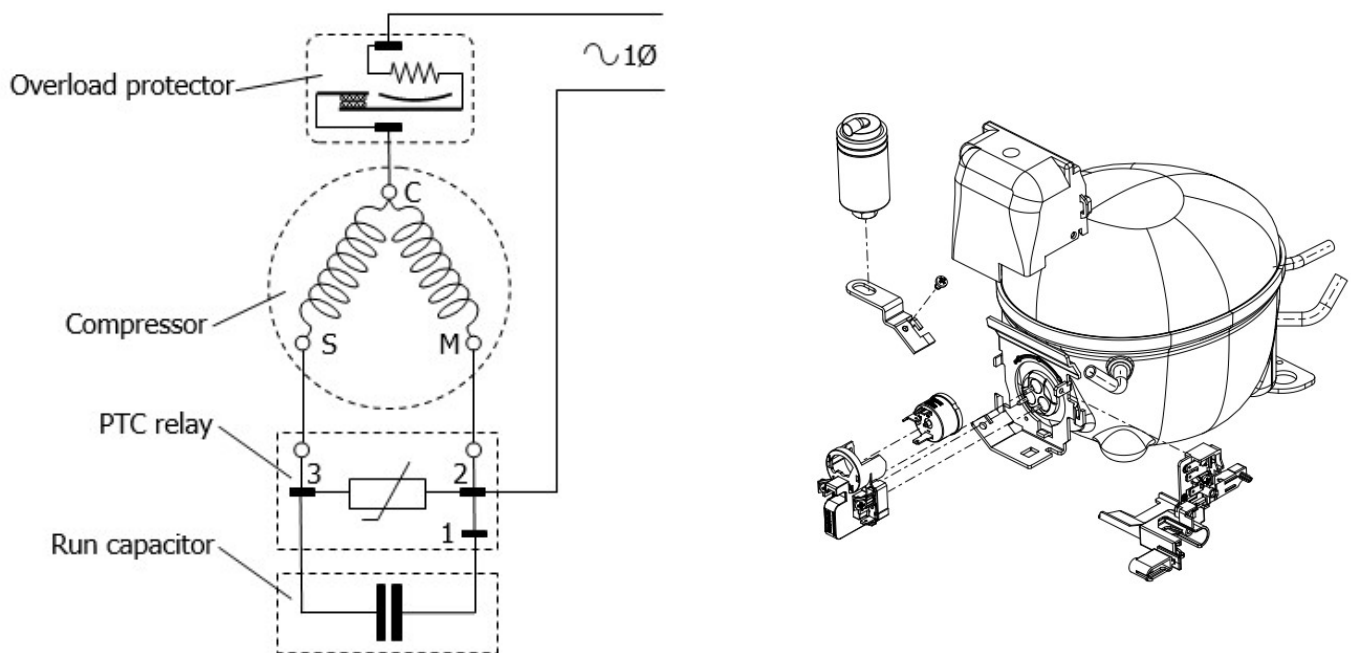
**SM08 - F / EG – CURRENT RELAY + OLP 4TM W/O START CAP**



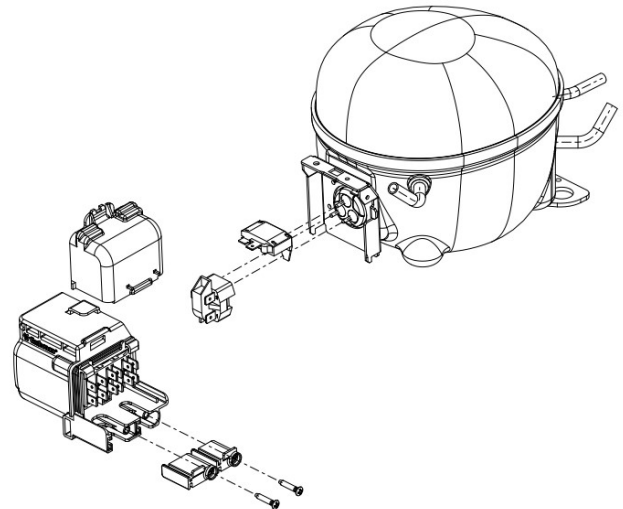
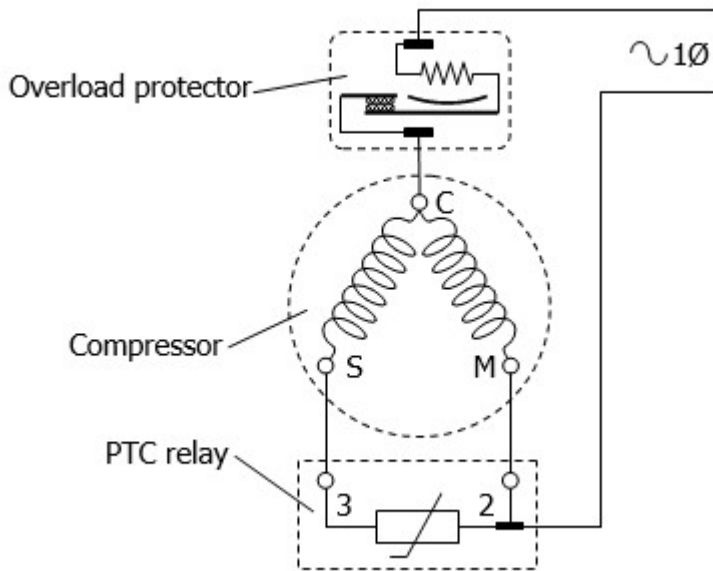
**EMC – PTC RELAY + OLP 4TM + RUN CAP**



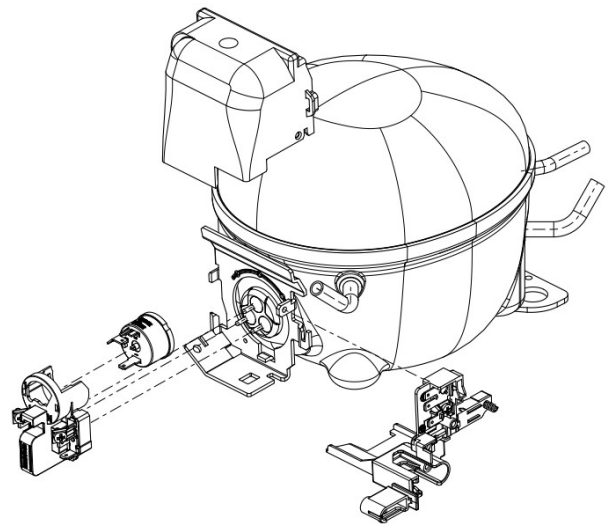
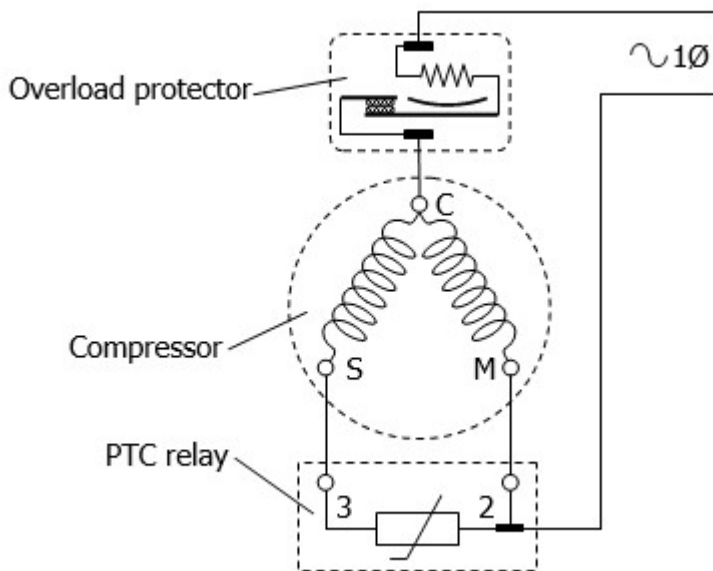
**EMC – PTC V230 RELAY + OLP 3/4" + RUN CAP**



**EMC – PTC RELAY + OLP 4TM W/O RUN CAP**



**EMC – PTC V230 RELAY + OLP 3/4" W/O RUN CAP**



REFRIGERANT	CDU MODEL	CDU BOM	HP	APPLICATION	FAN MOTOR	FAN BLADE	FAN GUARD	FEATURES	SUCTION VALVE	LIQUID VALVE	RECEIVER
R-134a	UF10HBX1	515301489	1/4+	L/MBP	515401021 (Motor Kit)			Suction Valve			
	UF10HBX1	515301374	1/4+	L/MBP	515401021 (Motor Kit)			Rec.,Valves,Power Cord			N/A
	UFI12HBX1	515301471	1/3+	L/MBP	515401019 (Motor Kit)			Suction Valve			
	UFI12HBX1	515301472	1/3+	L/MBP	515401019 (Motor Kit)			Rec.,Valves,Power Cord			N/A
	UFI12HBX1	515301494	1/3+	L/MBP	6W/115V	7.87"/30°/5B	N/A	Receiver,Power Cord			N/A
	UNEK6160Z1	557BGL601AA	1/4	MBP/HBP	1450076	2455009	2458022	Rec.,ODS Valves,S.G,Drier	2110060	2110086	2457034
	UNEK6170Z1	573DGL601AA	1/4	MBP/HBP	1450076	2455009	2458022	Rec.,ODS Valves,S.G,Drier	2110060	2110086	2457034
	UNEK6210Z1	558BGL601AA	1/3+	MBP/HBP	1450076	2455003	2458020	Rec.,ODS Valves,S.G,Drier	2110060	2110086	2457034
	UNEU2140Z1	6690EL601AA	1/2	LBP	1450076	2455003	2458020	Rec.,ODS Valves,S.G,Drier	2110060	2110086	2457034
	UNEU2140Z1	6690E5501AA	1/2	LBP	1450076	2455003	2458020	ODS Valves	2110046	2110047	N/A
	UNEU6187Z1	669IEL601AA	1/3+	MBP/HBP	1450076	2455003	2458020	Rec.,ODS Valves,S.G,Drier	2110060	2110086	2457034
	UNEU6187Z1	669IE5601AA	1/3+	MBP/HBP	1450076	2455003	2458020	Receiver,ODS Valves	2110046	2110047	2457034
	UNEU6212Z1	668GEL601AA	1/2	MBP/HBP	1450076	2455003	2458020	Rec.,ODS Valves,S.G,Drier	2110060	2110086	2457034
	UNEU6212Z1	668GE5601AA	1/2	MBP/HBP	1450076	2455003	2458020	Receiver,ODS Valves	2110046	2110047	2457034
	UNEU6214Z1	668NEL601AA	3/4-	MBP/HBP	1450076	2455003	2458020	Rec.,ODS Valves,S.G,Drier	2110060	2110086	2457034
	UNEU6214Z1	668NE5601AA	3/4-	MBP/HBP	1450076	2455003	2458020	Receiver,ODS Valves	2110046	2110047	2457034
	UNEU6214Z2	668NDL601AA	3/4-	MBP/HBP	1450078	2455003	2458020	Rec.,ODS Valves,S.G,Drier	2110060	2110086	2457034
	UNEU6214Z2	668ND5601AA	3/4-	MBP/HBP	1450078	2455003	2458020	Receiver,ODS Valves	2110046	2110047	2457034
	UNT6215Z1	602AGL601AA	1/2+	MBP/HBP	1450077	2455003	2458020	Rec.,ODS Valves,S.G,Drier	2110060	2110086	2457038
	UNT6215ZV2	602ADL601AA	1/2+	MBP/HBP	1450079	2455003	2458020	Rec.,ODS Valves,S.G,Drier	2110060	2110086	2457038
	UNT6217ZV1	602DGL604AA	3/4+	MBP/HBP	1450084	2455010	2458023	Rec.,ODS Valves,S.G,Drier	2110052	2110049	2457036
	UNT6217ZV2	602DDL601AA	3/4+	MBP/HBP	1450086	2455010	2458023	Rec.,ODS Valves,S.G,Drier	2110052	2110049	2457036
	UNT6220Z1	603CG5604AA	1	MBP/HBP	1450084	2455010	2458023	Receiver,ODS Valves	2110052	2110049	2457036
	UNT6220Z2	603CD5601AA	1	MBP/HBP	1450086	2455010	2458023	Receiver,ODS Valves	2110052	2110049	2457036
	UNJ6226Z2	642HD5604AA	1 1/4	MBP/HBP	1450086	2455011	2458024	Receiver,ODS Valves	2110052	2110049	2457036

REFRIGERANT	CDU MODEL	CDU BOM	HP	APPLICATION	FAN MOTOR	FAN BLADE	FAN GUARD	FEATURES	SUCTION VALVE	LIQUID VALVE	RECEIVER
R-404A	UNEK21216K1	657DGL601AA	1/3	LBP	1450076	2455008	2458021	Rec.,ODS Valves,S,G,Drier	2110060	2110086	2457035
	UNEK21256K1	657EGL601AA	1/3+	LBP	1450076	2455009	2458022	Rec.,ODS Valves,S,G,Drier	2110060	2110086	2457034
	UNEK21256K1	657EG5301AA	1/3+	LBP	1450076	2455009	2458022	Bare Unit	N/A	N/A	N/A
	UNEK21346K1	558AGL601AA	1/2	LBP	1450076	2455003	2458020	Rec.,ODS Valves,S,G,Drier	2110060	2110086	2457034
	UNEK21346K1	558AG5301AA	1/2	LBP	1450076	2455003	2458020	Bare Unit	N/A	N/A	N/A
	UNEK21346K2	558ADL601AA	1/2	LBP	1450078	2455003	2458020	Rec.,ODS Valves,S,G,Drier	2110060	2110086	2457034
	UNEK21346K2	558AD5201AA	1/2	LBP	1450078	2455003	2458020	Receiver,FL Valves	2110024	2110025	2457034
	UNEK21506K1	559AGL601AA	1/2+	LBP	1450076	2455003	2458020	Rec.,ODS Valves,S,G,Drier	2110060	2110086	2457034
	UNEK21506K2	559ADL601AA	1/2+	LBP	1450078	2455003	2458020	Rec.,ODS Valves,S,G,Drier	2110060	2110086	2457034
	UNT21686KV1	502DGL604AA	3/4	LBP	1450076	2455003	2458020	Rec.,ODS Valves,S,G,Drier	2110060	2110086	2457038
	UNT21686KV2	502DDL604AA	3/4	LBP	1450078	2455003	2458020	Rec.,ODS Valves,S,G,Drier	2110060	2110086	2457038
	UNT21806KV1	503HGL604AA	1	LBP	1450076	2455003	2458020	Rec.,ODS Valves,S,G,Drier	2110060	2110086	2457038
	UNT21806KV2	503HDL604AA	1	LBP	1450078	2455003	2458020	Rec.,ODS Valves,S,G,Drier	2110060	2110086	2457038
	UNT21926KV2	503DDL604AA	1 1/4	LBP	1450086	2455010	2458023	Rec.,ODS Valves,S,G,Drier	2110052	2110049	2457036
	UNT22126KV2	505DDL604AA	1/1/2	LBP	1450086	2455010	2458023	Rec.,ODS Valves,S,G,Drier	2110052	2110049	2457036
	UNJ22126K2	643TD5604AA	1/1/2	LBP	1450079	2455010	2458023	Rec,ODS Valves	2110054	2110049	2457036
	UNEK62106K1	674CGL601AA	1/2	MBP/HBP	1450076	2455003	2458020	Rec.,ODS Valves,S,G,Drier	2110060	2110086	2457034
	UNEK62106K1	674CG5201AA	1/2	MBP/HBP	1450076	2455003	2458020	Receiver,FL Valves	2110024	2110025	2457035
	UNEK62106K2	674CDL601AA	1/2	MBP/HBP	1450078	2455003	2458020	Rec.,ODS Valves,S,G,Drier	2110060	2110086	2457034
	UNEK62136K1	659BGL601AA	1/2+	MBP/HBP	1450077	2455003	2458020	Rec.,ODS Valves,S,G,Drier	2110060	2110086	2457034
	UNEK62136K2	659BDL601AA	1/2+	MBP/HBP	1450079	2455003	2458020	Rec.,ODS Valves,S,G,Drier	2110060	2110086	2457034
	UNT62176KV1	604AGL601AA	3/4	MBP/HBP	1450084	2455010	2458023	Rec.,ODS Valves,S,G,Drier	2110052	2110049	2457036
	UNT62176KV2	604ADL601AA	3/4	MBP/HBP	1450086	2455010	2458023	Rec.,ODS Valves,S,G,Drier	2110052	2110049	2457036
	UNT62206KV1	602BGL604AA	3/4	MBP/HBP	1450084	2455010	2458023	Rec.,ODS Valves,S,G,Drier	2110052	2110049	2457036
	UNT62206KV1	602BG5204AA	3/4	MBP/HBP				Receiver,FL Valves	2110051	2110056	2457036
	UNT62206KV2	602BDL604AA	3/4	MBP/HBP	1450086	2455010	2458023	Rec.,ODS Valves,S,G,Drier	2110052	2110049	2457036
	UNT62206KV2	602BD5204AA	3/4	MBP/HBP	1450086	2455010	2458023	Receiver,FL Valves	2110051	2110056	2457036
	UNT62226KV1	602CGL604AA	1	MBP/HBP	1450084	2455010	2458023	Rec.,ODS Valves,S,G,Drier	2110052	2110049	2457036
	UNT62226KV2	602CDL604AA	1	MBP/HBP	1450086	2455010	2458023	Rec.,ODS Valves,S,G,Drier	2110052	2110049	2457036
	UNT62266KV1	603AG5204AA	1+	MBP/HBP	1450084	2455011	2458024	Rec,FL Valves,	2110051	2110056	2457036
	UNT62266KV2	603AD5204AA	1+	MBP/HBP	1450086	2455011	2458024	Rec,FL Valves,	2110051	2110056	2457036
	UNJ9226GK2	644LD5204AA	1+	MBP/HBP	1450086	2455011	2458024	Receiver,FL Valves	2110051	2110056	2457036

# ESP- Embraco Service Parts

Genuine factory replacement parts for the professional refrigeration technician.



 **DOWNLOAD EMBRACO  
TOOLBOX APP**



[REFRIGERATIONCLUB.COM](http://REFRIGERATIONCLUB.COM)

REFRIGERANT	MODEL	RELAY	OVERLOAD	START CAP	RUN CAP
R-134a	EM20HHR1	513514024-ESP	513634700-ESP	N/A	N/A
	EMIS30HHR1	513515003-ESP	513554064-ESP	513556549-ESP	N/A
	EM45HHR1	513515292-ESP	513634475-ESP	513556521-ESP	N/A
	EMI55HER1	513515292-ESP	513634548-ESP	513556561-ESP	N/A
	EM55HHR1	513514069-ESP	513634530-ESP	N/A	N/A
	EMI60HER1	513514083-ESP	513504690-ESP	N/A	N/A
	FF7.5HBK1	513516134-ESP	513554714-ESP	N/A	N/A
	EMIS70HHR1	513514069-ESP	513634015-ESP	N/A	N/A
	EMIS70HHR1-CAP	513515250-ESP	513634015-ESP	513556005-ESP	N/A
	FF8.5HBK1	513516169-ESP	513554000-ESP	N/A	N/A
	FF8.5HBK1-CAP	513516175-ESP	513554000-ESP	513556529-ESP	N/A
	EM2Z80HLT1	513605003-ESP	Inc. with TSD	N/A	US-24156-ESP
	FF10HBK1	513516185-ESP	513554447-ESP	N/A	N/A
	FF10HBX1	513516191-ESP	513554609-ESP	513556529-ESP	N/A
	NE2121Z1	2283001-ESP	2321018-ESP	2252230-ESP	N/A
	FF110HBX1	513516191-ESP	513554609-ESP	513556529-ESP	N/A
	FF112HBX1	513516053-ESP	513554095-ESP	513556535-ESP	N/A
	FFU130HAX1	513516053-ESP	513554617-ESP	513556535-ESP	N/A
	NE2130Z1	2271116-ESP	2324059-ESP	2252282-ESP	N/A
	NE2134Z1	2271011-ESP	2324063-ESP	2252320-ESP	N/A
	NT2134Z1	2271146-ESP	2324118-ESP	2252369-ESP	N/A
	NEK2140Z1	2271053-ESP	2324092-ESP	2252324-ESP	N/A
	NEK613Z21	2271141-ESP	2324115-ESP	2252282-ESP	N/A
	NEK6144Z1	2271141-ESP	2324145-ESP	2252282-ESP	N/A
	NEK6160Z1	2271126-ESP	2324063-ESP	2252318-ESP	N/A
	NEK6170Z1	2271126-ESP	2324055-ESP	2252318-ESP	N/A
	NEK6187Z1	2271011-ESP	2324093-ESP	2252320-ESP	N/A
	NEU6187Z1	2271116-ESP	2324120-ESP	2252324-ESP	N/A
	NEK6210Z1	2283012-ESP	2321020-ESP	2252289-ESP	N/A
	NEK6212Z1	2271116-ESP	2324108-ESP	2252324-ESP	N/A
	NEU6212Z1	2271116-ESP	2324007-ESP	2252324-ESP	N/A
	NEK6214Z1	1253050-ESP	2321148-ESP	2252331-ESP	2253315-ESP
	NEK6214Z2	1253009-ESP	2321091-ESP	2252261-ESP	2253320-ESP
	NEU6214Z2	2271147-ESP	2324123-ESP	2252382-ESP	N/A
	NT6215Z1	2271116-ESP	2324074-ESP	2252356-ESP	N/A
	NT6215Z2	2271051-ESP	2324142-ESP	2252365-ESP	N/A
	NT6217Z1	1253016-ESP	2321114-ESP	2252331-ESP	2253315-ESP
	NT6217Z2	2271137-ESP	2324103-ESP	2252365-ESP	N/A
	NJ6220Z1	1253017-ESP	2297010-ESP	2252300-ESP	N/A
	NJ6220Z2	*2302003-ESP	2289031-ESP	2252265-ESP	N/A
	NT6220Z1	1253050-ESP	2295004-ESP	2252273-ESP	2253315-ESP
	NT6220Z2	2271141-ESP	2324085-ESP	2252364-ESP	N/A
NJ6226Z2	1253026-ESP	(1)Internal	2252270-ESP	2253311-ESP	
R-290	EMI50UER1	513515003-ESP	513634331-ESP	513556521-ESP	N/A
	EMI70UER1	513515250-ESP	513554323-ESP	513556521-ESP	N/A
	EMX3115U1	513650019-ESP	513634572-ESP	N/A	513556246-ESP
	EMI90UEX1	513515293-ESP	513554311-ESP	513556538-ESP	N/A
	EMC3121U1	513650019-ESP	513634455-ESP	N/A	513556246-ESP
	EM2X3121U1	513650144-ESP	513634455-ESP	N/A	513556247-ESP
	EMC3125U1	513650019-ESP	513634220-ESP	N/A	513556246-ESP
	EM2X3125U1	513650019-ESP	513634132-ESP	N/A	513556247-ESP
	FFU130UAX1	513516053-ESP	513554006-ESP	513556535-ESP	N/A
	FFU160UAX1	513516053-ESP	513554025-ESP	513556535-ESP	N/A
	NEU2155U1	2271157-ESP	2324124-ESP	2252324-ESP	N/A
	NEU2168U1	1253069-ESP	2321081-ESP	2252300-ESP	2253314-ESP
	NEU2168U2	1253019-ESP	2321012-ESP	2252269-ESP	2253316-ESP
	**NT2180UV1				
	NT2180UV2	1253012-ESP	Internal	2252291-ESP	2253318-ESP
	NT2210UV1	1253065-ESP	Internal	2252374-ESP	2253313-ESP
	NT2210UV2	1253024-ESP	Internal	2252269-ESP	2253311-ESP
	NEU6181U1	2271156-ESP	2324110-ESP	2252324-ESP	N/A
	NEU6214U1	2271116-ESP	2324007-ESP	2252380-ESP	N/A
	NEU6214U2	2271110-ESP	2324146-ESP	2252354-ESP	N/A
NEU6217U1	1253069-ESP	2321081-ESP	2252331-ESP	2253314-ESP	
NEU6217U2	1253027-ESP	2321153-ESP	2252271-ESP	2253318-ESP	



REFRIGERANT	MODEL	RELAY	OVERLOAD	START CAP	RUN CAP
Blend	EMI30ER1	513514008-ESP	513634076-ESP	N/A	N/A
	EMI45ER1	513514040-ESP	513634390-ESP	N/A	N/A
	EMI55ER1	513514105-ESP	513634790-ESP	N/A	N/A
	EM65NR1	513514083-ESP	513634102-ESP	N/A	N/A
	FFC60BK1	513514124-ESP	513634650-ESP	N/A	N/A
	FF8.5BK1	513516266-ESP	513554005-ESP	N/A	N/A
	FF8.5BK1-CAP	513516241-ESP	513554005-ESP	513556537-ESP	N/A
	FF10BK1	513516266-ESP	513554420-ESP	N/A	N/A
	FF10BX1	513516175-ESP	513554003-ESP	513556529-ESP	N/A
	FF11.5BK1	513516185-ESP	513554273-ESP	N/A	N/A
	FF11.5BK1-CAP	513516191-ESP	513554273-ESP	513556533-ESP	N/A
FFI12BX1	513516053-ESP	513554412-ESP	513556535-ESP	N/A	

R-404A	NEK2121GK1	2283055-ESP	2321153-ESP	2252230-ESP	N/A
	NEK2125GK1	2271126-ESP	2324055-ESP	2252318-ESP	N/A
	NEK2134GK1	2283012-ESP	2321086-ESP	2252335-ESP	N/A
	NEK2134GK2	2271121-ESP	2324009-ESP	2252325-ESP	N/A
	NEK2150GK1	2271116-ESP	2324069-ESP	2252320-ESP	N/A
	NEK2150GK2	2283060-ESP	2321105-ESP	2252220-ESP	N/A
	NEK2168GK1	1253067-ESP	2321130-ESP	2252331-ESP	2253314-ESP
	NT2168GKV1	1253050-ESP	2291048-ESP	2252273-ESP	2253315-ESP
	NT2168GKV2	1253024-ESP	2321166-ESP	2252270-ESP	2253316-ESP
	NT2180GKV1	1253050-ESP	(2)Internal	2252331-ESP	2253315-ESP
	NT2180GKV2	1253010-ESP	2321091-ESP	2252274-ESP	2253316-ESP
	NT2192GKV1	1253001-ESP	2295004-ESP	2252273-ESP	2253315-ESP
	NT2192GKV2	1253026-ESP	2321091-ESP	2252269-ESP	2253310-ESP
	NJ2192GK1	1253001-ESP	Internal	2252317-ESP	2253312-ESP
	NJ2192GK2	1253010-ESP	Internal	2252269-ESP	2253312-ESP
	NJ2192GJ2	1253003-ESP	Internal	2252269-ESP	2253311-ESP
	NJ2212GK1	1253001-ESP	Internal	2252317-ESP	2253312-ESP
	NJ2212GK2	1253010-ESP	Internal	2252269-ESP	2253312-ESP
	NJ2212GJ2	1253010-ESP	Internal	2252274-ESP	2253312-ESP
	NT2212GKV1	1253065-ESP	Internal	2252374-ESP	2253321-ESP
	NT2212GKV2	1253019-ESP	Internal	2252274-ESP	2253313-ESP
	NEK6181GK1	2271126-ESP	2324055-ESP	2252282-ESP	N/A
	NEK6181GK2	2271110-ESP	2324009-ESP	2252325-ESP	N/A
	NEK6210GK1	2271128-ESP	2324025-ESP	2252320-ESP	N/A
	NEK6210GK2	2271127-ESP	2324105-ESP	2252372-ESP	N/A
	NEK6213GK1	2271116-ESP	2324083-ESP	2252320-ESP	N/A
	NEK6213GK2	2271128-ESP	2324126-ESP	2252325-ESP	N/A
	NT6217GKV1	2271146-ESP	2324004-ESP	2252377-ESP	N/A
	NT6217GKV2	2283055-ESP	2321128-ESP	2252327-ESP	N/A
	NT6220GKV1	1253050-ESP	2291055-ESP	2252331-ESP	2253315-ESP
	NT6220GKV2	1253015-ESP	2321091-ESP	2252270-ESP	2253310-ESP
	NT6222GKV1	1253050-ESP	(3)Internal	2252331-ESP	2253315-ESP
	NT6222GKV2	1253015-ESP	2321018-ESP	2252269-ESP	2253310-ESP
	NT6224GKV1	1253028-ESP	Internal	2252343-ESP	2253307-ESP
	NT6224GKV2	1253019-ESP	2321132-ESP	2252270-ESP	2253311-ESP
	NJ9226GK2	1253027-ESP	2289017-ESP	2252269-ESP	2253312-ESP
	NT6226GKV1	1253028-ESP	Internal	2252343-ESP	2253307-ESP
	NT6226GKV2	1253026-ESP	2291048-ESP	2252270-ESP	2253312-ESP
	NTU6232GKV2	1253015-ESP	Internal	2252271-ESP	2253313-ESP
	NTU6234GKV2	1253015-ESP	Internal	2252271-ESP	2253314-ESP
	NJ9232GK2	1253010-ESP	(4)Internal	2252269-ESP	2253312-ESP
	**NJ9238GK2				
	NTU6238GKV2	1253015-ESP	Internal	2252271-ESP	2253314-ESP
	NTU6240GKV2	1253015-ESP	Internal	2252271-ESP	2253314-ESP

REFRIGERANT	MODEL	RELAY	OVERLOAD	START CAP	RUN CAP
R-22 /R-422D	NE6195E1	2271102-ESP	2324003-ESP	2252318-ESP	N/A
	NE6210E1	2283001-ESP	2321071-ESP	2252017-ESP	N/A
	NE9213E1	1253025-ESP	2321081-ESP	2252270-ESP	2253312-ESP
	NE9213E2	1253026-ESP	2321123-ESP	2252270-ESP	2253310-ESP
	T6217E1	2302004-ESP	2297018-ESP	2252282-ESP	N/A
	T6217E2	2271123-ESP	2287121-ESP	2252210-ESP	N/A
	T6220E1	1253021-ESP	2297014-ESP	2252275-ESP	2253315-ESP
	T6220E2	1253015-ESP	2289026-ESP	2252268-ESP	2253310-ESP
	T6222E1	1253016-ESP	2297010-ESP	2252302-ESP	2253313-ESP
	T6222E2	1253015-ESP	2289022-ESP	2252268-ESP	2253310-ESP
	NJ7225F2	1253001-ESP	2290014-ESP	2252266-ESP	2253312-ESP
	NJ9232E2	1253015-ESP	2289034-ESP	2252269-ESP	2253312-ESP
	NJ7231F2	1253001-ESP	2289030-ESP	2252266-ESP	2253314-ESP
	NJ7238E2	1253024-ESP	2297002-ESP	2252270-ESP	2253313-ESP
	NJ7240F2	1253026-ESP	2297021-ESP	2252269-ESP	2253313-ESP

\*For potential relay use part 1253051-ESP  
 \*\*Sku dependant contact Embraco tech support

(1) Old OL external (2291053-ESP)  
 (2) Old OL external (2291062-ESP)  
 (3) Old OL external (2291061-ESP)  
 (4) Old OL external (2289030-ESP)

**Note: Models having different components than listed please contact Embraco technical support.**

# DIGITAL **TOOLS**



**embraco**  
toolboxapp

Free App available in 10 languages,  
includes several tools for the professional technician.

## FIND INSIDE:

- Products Catalog
- Cross Reference
- Distributor Locator
- Unit Converter
- Troubleshooting
- Refrigerant Slider

Download available for iOS and Android



Embraco offers digital tools and services focused on providing support for refrigeration professionals on their daily routine.



## PSS

### PRODUCT SOFTWARE SELECTOR

Find the right product for your application and detailed datasheets for compressors and condensing units. You can also download the software and use it offline.

Access: [products.embraco.com](http://products.embraco.com)



### REFRIGERATION CLUB

Join the club and stay informed of market trends, technical tips and watch exclusive videos. Connect with us at: [refrigerationclub.com](http://refrigerationclub.com)

**EMBRACO.COM**

**embraco**  
**Nidec**

# embraco *Nidec*



**Contact the U.S. Motors HVACR Aftermarket team:**  
8050 W. Florissant Avenue | St. Louis, MO 63136  
Phone: 855-487-6686 | Fax: 800-899-2887  
Email: HVACRCustomerService@nidec-motor.com  
[www.usmotors.com](http://www.usmotors.com)

Subject to alteration without previous notice



Embraco Product Selector



Embraco Toolbox App

[www.embraco.com](http://www.embraco.com)