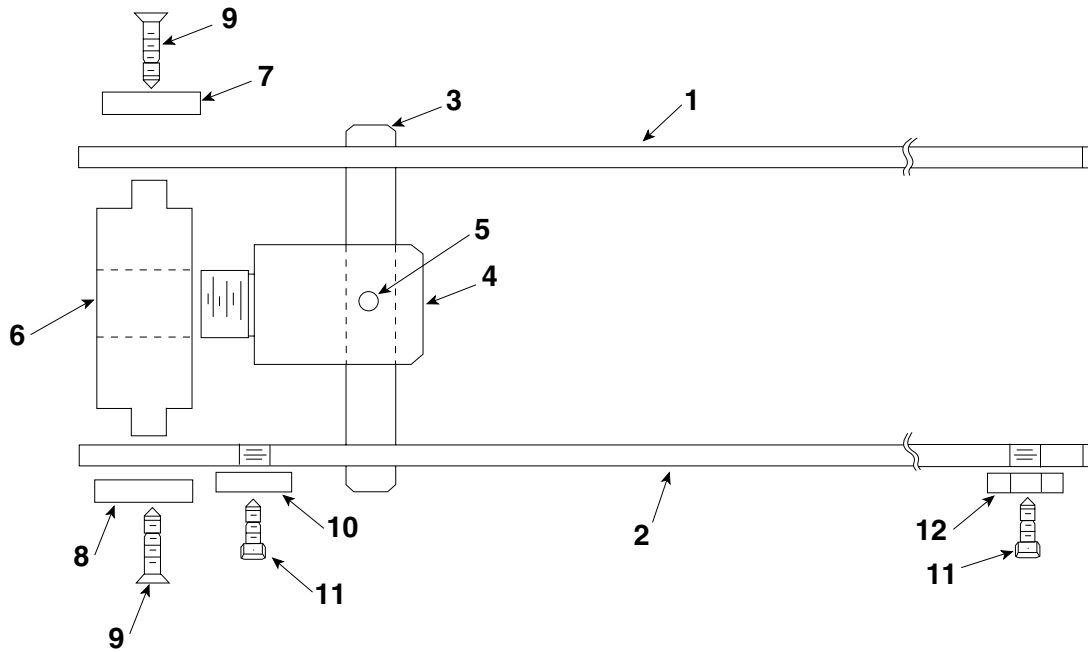


Model BZ70 (shown)



Replacement Parts

Item	Part #	Qty Needed	Description	Qty	Part #	Needed	Description
1	CA892103	1	Load Arm (Top)	7	CB779046	1	Pad
2	ZCF391103	1	Load Arm (Bottom)	8	CB830817	1	Catch
3	CA914061	1	Pivot Pin	9	CH577028	2	F.H. Cap Screw 5/8NC-1.25
4	CA915132	1	Rod Eye	10	CB846046	2	Rest Pad
5	CB610028	1	Soc. Set Screw 3/8-16 1/2"	11	CF390028	4	Hex. Hd. Cap Screw 1/2-13x1 1/4"
6	CH177132	1	Cylinder Yoke	12	CF102145	1	Stablizer Bar

REPAIR AND SERVICE INSTRUCTIONS: For repair service and parts contact your nearest Gardner Bender Service Center. The Gardner Bender Service Center will provide complete and prompt service on all Gardner Bender products.

PARTS AND SERVICE: For quality workmanship and genuine Gardner Bender parts, select an Authorized GB Service Center for your repair needs. Only repairs performed by an Authorized Service Center displaying the official GB Authorized sign are backed with full factory warranty. Contact Gardner Bender (414)352-4160 for the name of the nearest GB Authorized Service Center.

WARRANTY: Gardner Bender warrants its product against defects in workmanship and materials for 1 year from date of delivery to user. Chain is not warranted. Warranty does not cover ordinary wear and tear, abuse, misuse, overloading, altered products or use of improper fluid.

WARRANTY RETURN PROCEDURE: When question of warranty claim arises, send the unit to the nearest GB Authorized Service Center for inspection, transportation prepaid. Furnish evidence of purchase date. If the claim comes under the terms of our warranty the Authorized Service Center will REPAIR OR REPLACE PARTS AFFECTED and return the unit prepaid.



PO Box 3241 • Milwaukee, WI 53201-3241 • (800) 624-4320 • Fax 414-352-2377
6615 Ordan Drive • Mississauga, Ontario L5T 1X2 • 905-564-5749 • Fax 905-564-0305

RPS-0030 Rev. B 7/07