

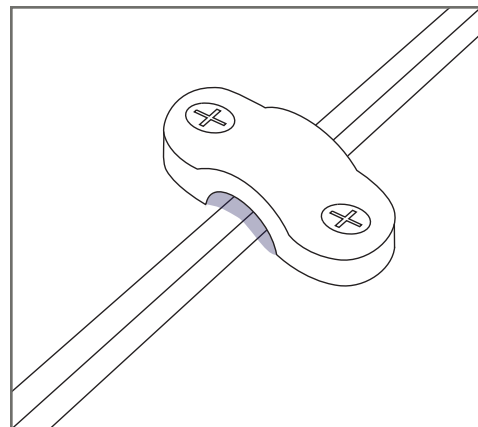
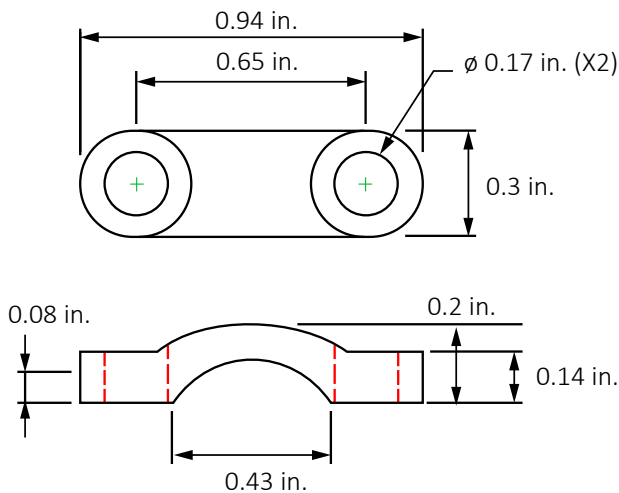
Specified Item #	
Project	
Location	

SPECIFICATIONS

	Wire Fastener DI-WM-WF (10 pack)	Wire Clip DI-WM-WC (10 pack)	J-Clip DI-WM-JC (10 pack)	Tape Fastener DI-WM-TF (10 pack)
Material	Polyamide 66 (PA66)	Polyamide 66 (PA66)	Polyamide 66 (PA66)	Polyamide 66 (PA66)
Color	White	White	White	White
Mounting	(2) #5 x ½ in. Zinc Screws	3M™ Double Adhesive Tape	(1) #5 x ½ in. Zinc Screw	(2) #2 x ½ in. Zinc Screws
Dimensions	0.94 x 0.3 x 0.2 in. (L x W x H)	0.57 x 0.37 x 0.22 in. (L x W x H)	0.87 x 0.39 x 0.35 in. (L x W x H)	0.87 x 0.2 x 0.1 in. (L x W x H)
Environment	Indoor	Indoor	Indoor	Indoor
Recommended Usage	16/2, 18/2, 20/2, 20/3, 20/4, 20/5 AWG wire	20/2, 20/3, 20/4, 20/5 AWG wire	CL-2, RJ45, XLR, AC Power Cord	Maximum: 0.4 in./10mm width LED tape lights
Product Image				

MECHANICAL DIAGRAMS

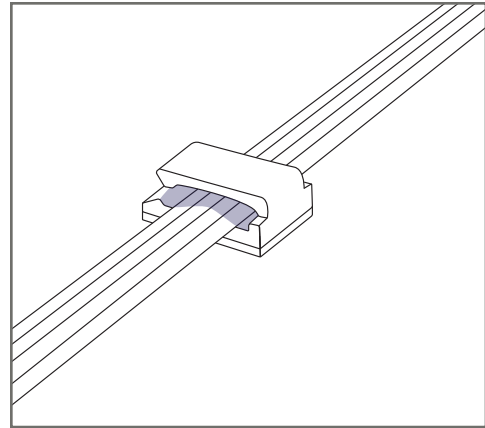
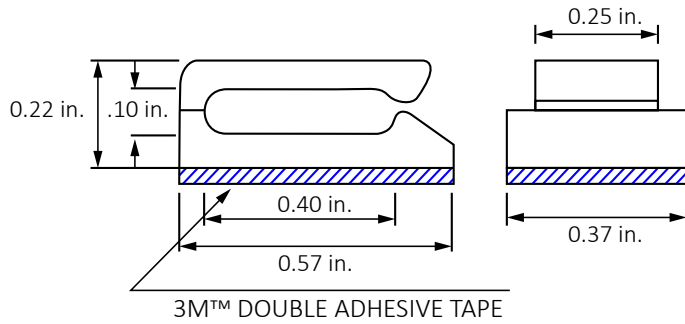
WIRE FASTENER / DI-WM-WF



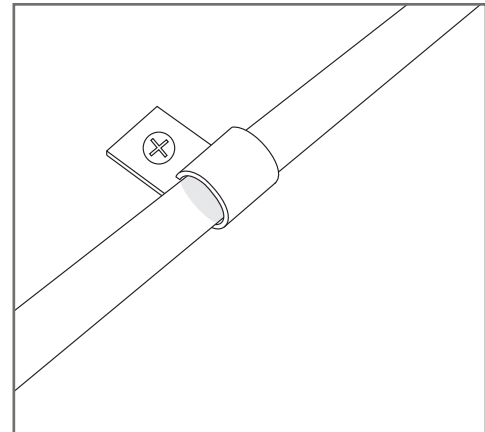
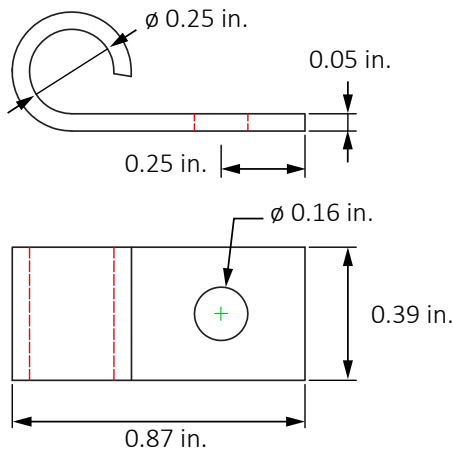
SS100814-1.0

MECHANICAL DIAGRAMS CONT'D

WIRE CLIP / DI-WM-WC



J-CLIP / DI-WM-JC



TAPE LIGHT FASTENER / DI-WM-TF

