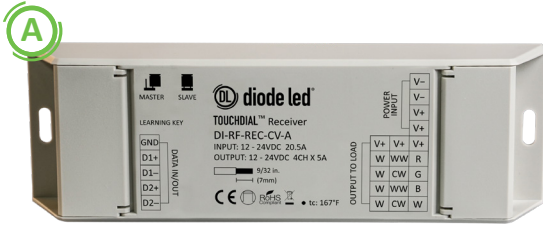


RECEIVERS/HUBS (A RECEIVER IS REQUIRED)



TOUCHDIAL™ Receiver
DI-RF-REC-CV-A



TOUCHDIAL™ Mini-Receiver
DI-RF-REC-CV-SC



TOUCHDIAL™ WiFi Hub
DI-WIFI-RF-TRMS

SINGLE COLOR DIMMERS



TOUCHDIAL™ Mini-Remote
Dimmer
DI-RF-REM-DIM-1



TOUCHDIAL™ Wall Paddle
Dimmer
DI-RF-WPD-DIM-1



TOUCHDIAL™ Wall Paddle
Dimmer
DI-RF-WPD-DIM-2



TOUCHDIAL™ Remote
Dimmer Control
DI-RF-REM-DIM-5



TOUCHDIAL™ Wall
Dimmer
DI-RF-WMT-DIM

RGBW COLOR CONTROLLERS



TOUCHDIAL™ RGB(W)
Wall Control
DI-RF-WMT-RGBW



TOUCHDIAL™ Mini-Remote
RGB(W) Control
DI-RF-REM-RGBW-1



TOUCHDIAL™ Remote
RGB(W) Control
DI-RF-REM-RGBW-4

SPECIFICATIONS

Voltage¹	12VDC/24VDC
Environment²	Indoor / Dry Location
Warranty	5-Year Warranty
Ambient Temp³	-4 - 122°F (120 - 50°C)
Operating Temp⁴	-4 - 176°F (-20 - 80°C)

Visit the product page at www.DiodeLED.com for installation guides, .IES files, voltage drop charts, and LM-79 reports.

***Note: TOUCHDIAL Receiver may only be synced/controlled by one of the following controllers at a time.**

Item # _____

Project _____



TOUCHDIAL™ Full Control System

COMPLIANCE & REGULATORY APPROVALS

Safety

- CE Compliant

Environmental

- RoHS Compliant

TOUCHDIAL™ RECEIVER



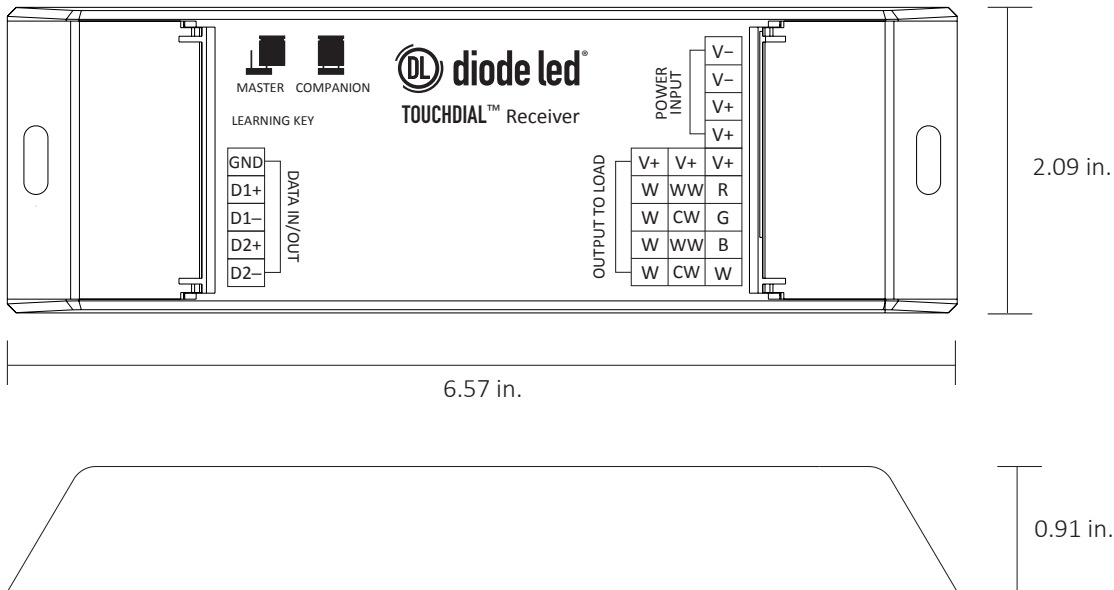
TOUCHDIAL™ Receiver DI-RF-REC-CV-A

Receiver for use with RGB color changing, adjustable kelvin, and single color applications.



- RGB(W), adjustable kelvin, and single color control
- Input from Driver: 12-24VDC Constant Voltage
- Output to Load: 12-24VDC Constant Voltage
- Max Load: 4CH x 5A, 4CH x 60W (12V), 4CH x 100W (24V)
- Power Failure Memory: Yes

MECHANICAL DIAGRAM



1. TOUCHDIAL accessories are rated to be used with 12V, or 24V DC Constant Voltage (Non-dimmable) Drivers.
2. These products are rated for indoor installation and are not protected against moisture.
3. Do not install product in an environment outside the listed ambient temperature. Exceeding the maximum ambient temperature may damage LED chips, reduce the total lamp life, lumen output, and/or adversely impact color consistency.
4. Operating temperature is measured according to the minimum and maximum ambient temperature environment.



TOUCHDIAL™ Full Control System

B TOUCHDIAL™ MINI-RECEIVER

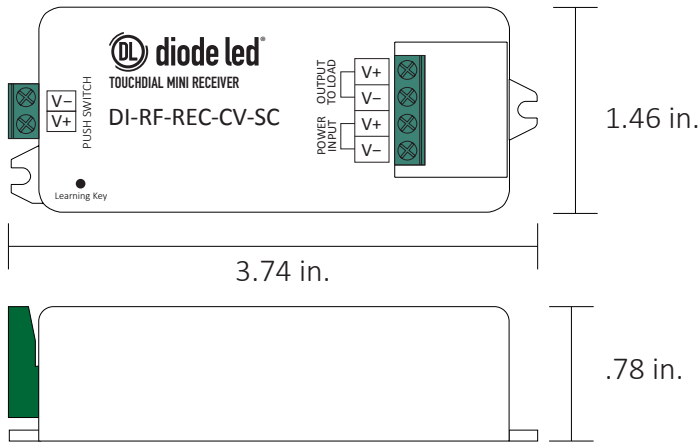


TOUCHDIAL™ Mini-Receiver DI-RF-REC-CV-SC

Miniature Receiver for use with single color applications.

- Single color control
- Input from Driver: 12-24VDC Constant Voltage
- Output to Load: 12-24VDC Constant Voltage
- Max Load: 1CH, 1CH x 60W (12V), 1CH x 100W (24V)
- Power Failure Memory: Yes

MECHANICAL DIAGRAM



Note: The TOUCHDIAL Mini-Receiver is not compatible with the **DI-RF-REM-RGBW-4** TOUCHDIAL Remote RGB(W) Control.

C TOUCHDIAL™ WIFI HUB



TOUCHDIAL™ WiFi Hub DI-WIFI-RF-TRMS

WiFi Hub for expanded connectivity utilizing the Diode LED Android or IOS mobile App.

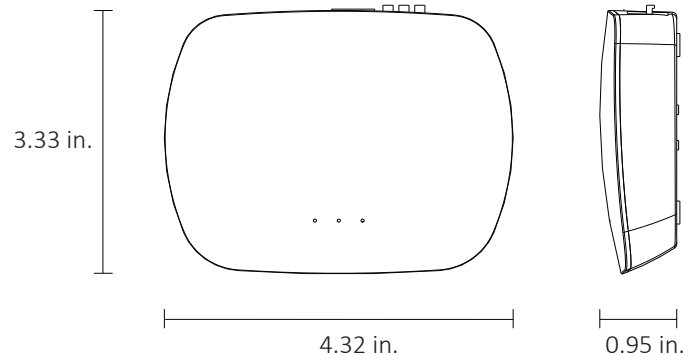


- RGB(W), adjustable kelvin, or single color control
- Input from Driver: 5VDC Constant Voltage
- Operating Frequency: 868 MHz
- Connections: WLAN
- OS Compatibility: iOS or Android system
- Range: 300 ft.



Android and iOS Mobile Apps for use with the TOUCHDIAL™ WiFi Hub may be found at www.DiodeLED.com

MECHANICAL DIAGRAM



TOUCHDIAL™ Full Control System

TOUCHDIAL™ MINI-REMOTE DIMMER

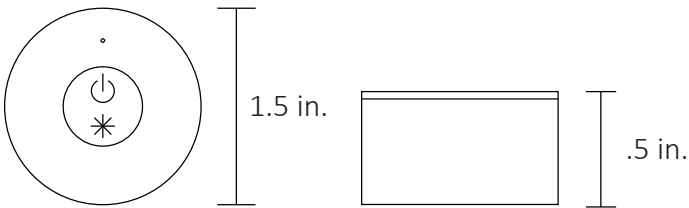


TOUCHDIAL™ Mini-Remote Dimmer DI-RF-REM-DIM-1

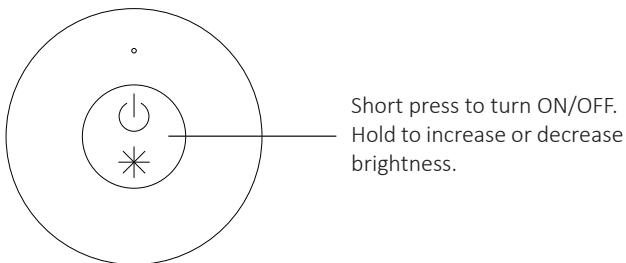
One button, single zone dimmer for use with single color applications.

- Single color control
- Input: 1x CR2025 3V Battery (Included)
- Operating Frequency: 869.5MHz / 434 MHz
- Signal: Radio Frequency
- Range: 95 ft.

MECHANICAL DIAGRAM



OPERATION



TOUCHDIAL™ WALL PADDLE DIMMER

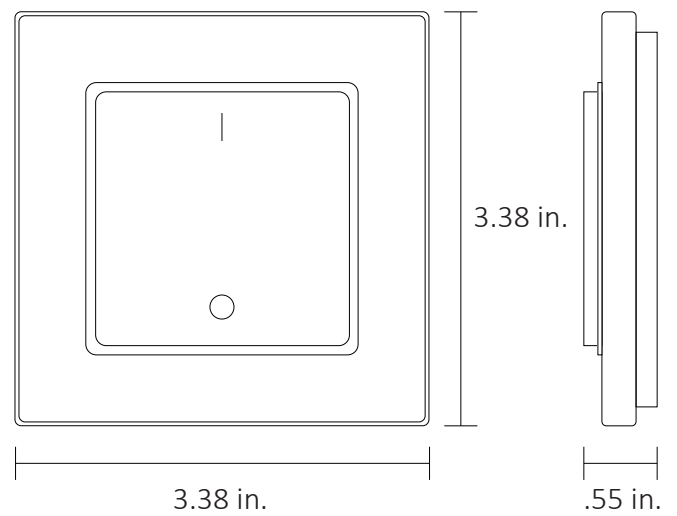


TOUCHDIAL™ Wall Paddle Dimmer (Single Zone) DI-RF-WPD-DIM-1

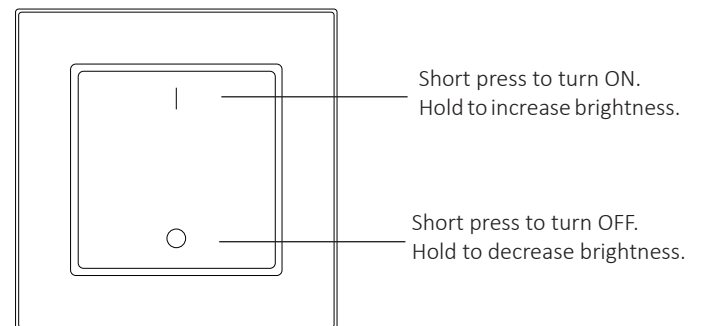
One button, single zone wall mounted dimmer for use with single color applications.

- Single color control
- Input: 1x CR2430 3V Battery (Included)
- Operating Frequency: 868 / 869.5MHz / 434 MHz
- Signal: Radio Frequency
- Range: 95 ft.

MECHANICAL DIAGRAM



OPERATION



TOUCHDIAL™ Full Control System

F TOUCHDIAL™ WALL DUAL PADDLE DIMMER

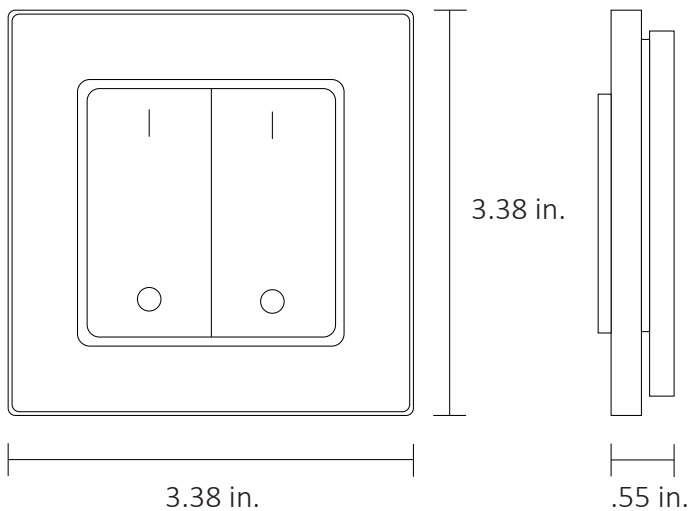


TOUCHDIAL™ Wall Paddle Dimmer (Dual Zone) DI-RF-WPD-DIM-2

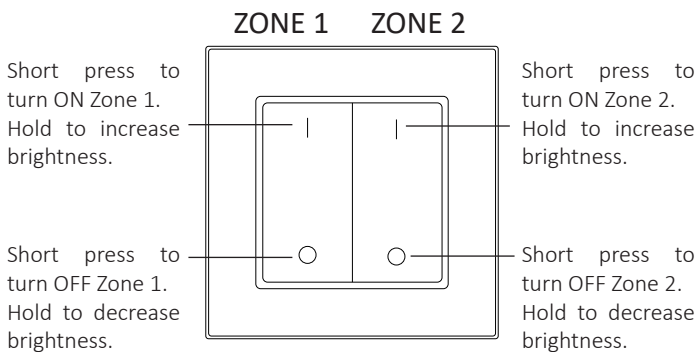
Two button, two zone wall mounted dimmer for use with single color applications.

- Single color control
- Input: 1x CR2430 3V Battery (Included)
- Operating Frequency: 868 / 869.5MHz / 434 MHz
- Signal: Radio Frequency
- Range: 95 ft.

MECHANICAL DIAGRAM



OPERATION



G TOUCHDIAL™ REMOTE DIMMER CONTROL

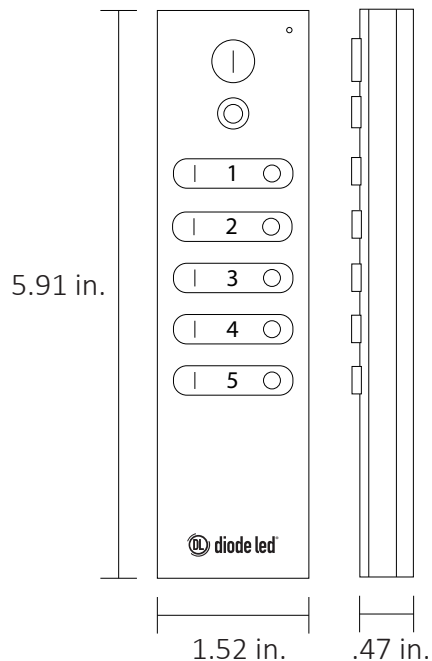


TOUCHDIAL™ Remote Dimmer Control (Five Zone) DI-RF-REM-DIM-5

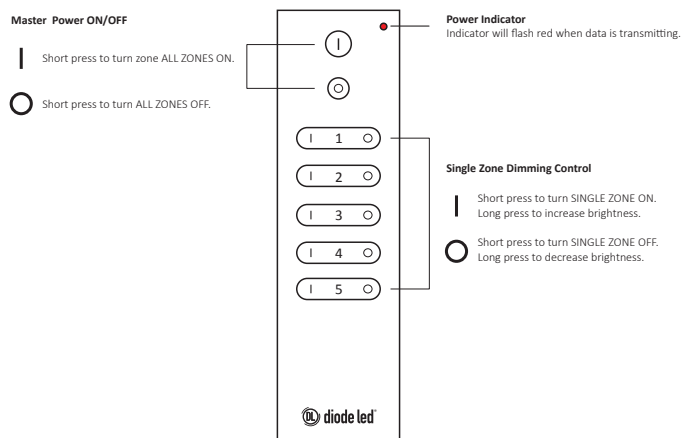
Five zone, hand held dimmer for use with single color applications.

- Single color control
- Input: 1x CR2032 3V Battery (Included)
- Operating Frequency: 868 / 434 MHz
- Signal: Radio Frequency
- Range: 95 ft.

MECHANICAL DIAGRAM



OPERATION



TOUCHDIAL™ Full Control System

TOUCHDIAL™ WALL DIMMER

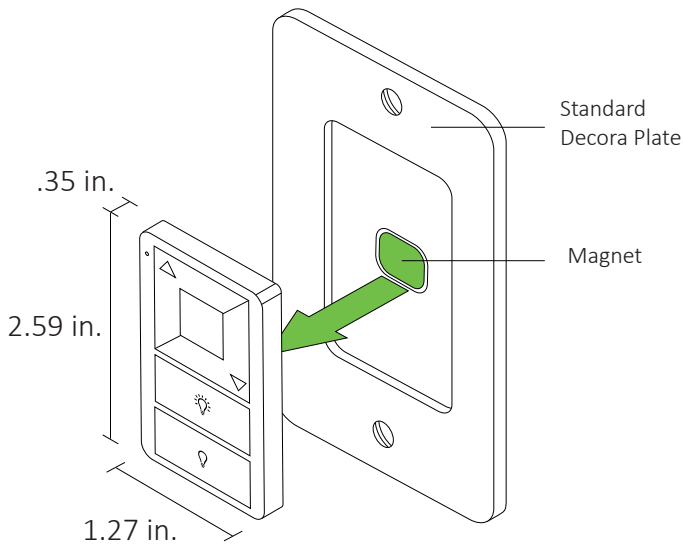


TOUCHDIAL™ Wall Dimmer DI-RF-WMT-DIM

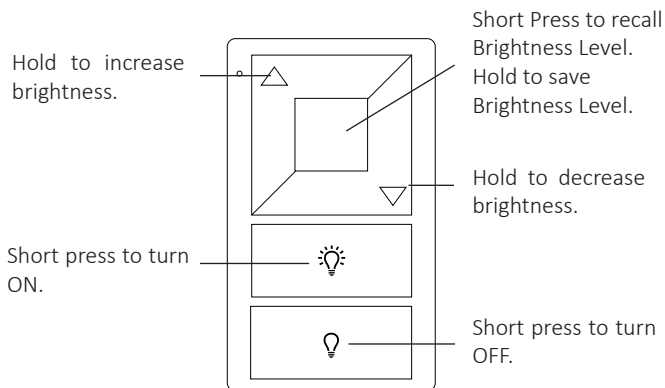
Single zone, hand held, and wall mounted dimmer for use with single color applications.

- Single color control
- Input: 1x CR2032 3V Battery (Included)
- Operating Frequency: 916.5 MHz
- Signal: Radio Frequency
- Range: 95 ft.
- Magnetic Mount
- Removable Remote

MECHANICAL DIAGRAM



OPERATION



TOUCHDIAL™ RGB(W) WALL CONTROL



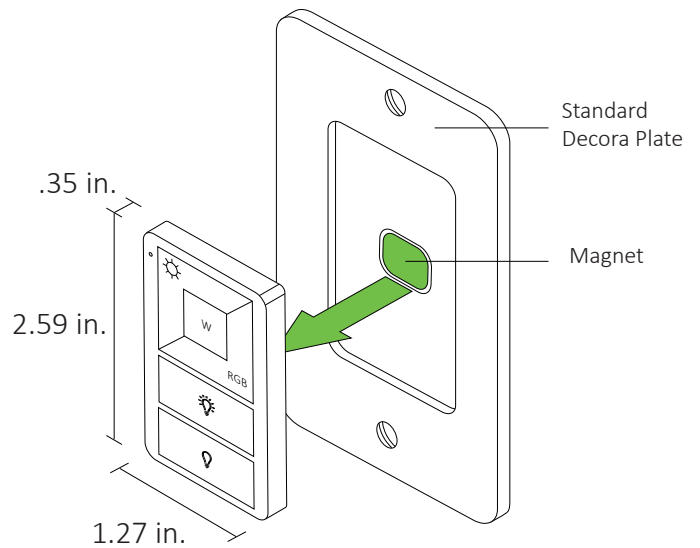
TOUCHDIAL™ RGB(W) Wall Control DI-RF-WMT-RGBW

Single zone, hand held, and wall mounted color controller.

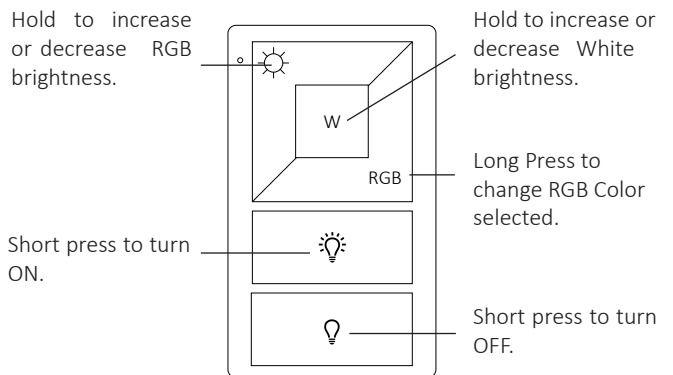


- RGB(W), and single color control
- Input: 1x CR2032 3V Battery (Included)
- Operating Frequency: 916.5MHz
- Signal: Radio Frequency
- Range: 95 ft.
- Magnetic Mount
- Removable Remote

MECHANICAL DIAGRAM



OPERATION



TOUCHDIAL™ Full Control System

TOUCHDIAL™ MINI-REMOTE RGB(W) CONTROL



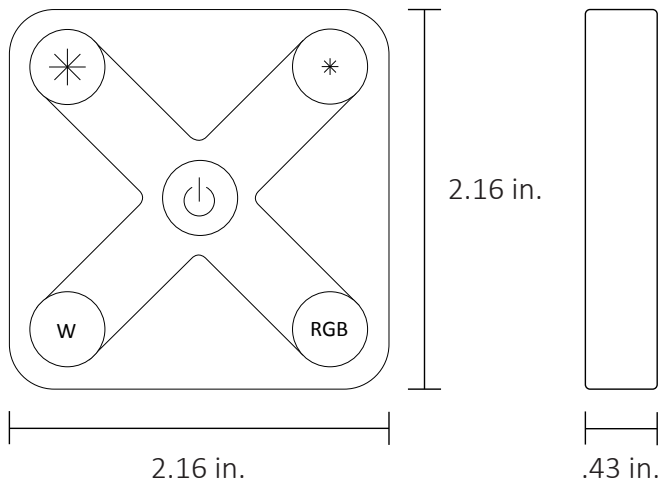
TOUCHDIAL™ Mini-Remote RGB(W) Control DI-RF-REM-RGBW-1

Single zone, hand held, or wall mounted color controller.

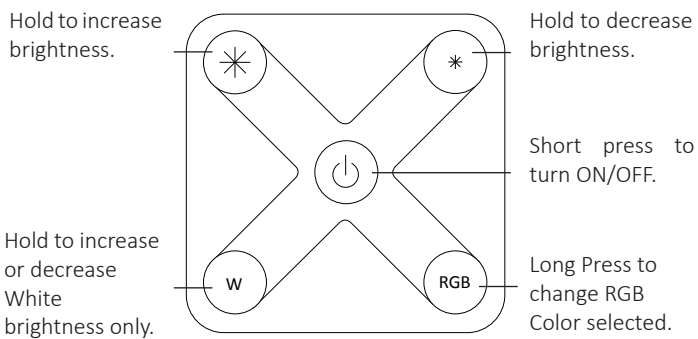


- RGB(W), and single color control
- Input: 1x CR2430 3V Battery (Included)
- Operating Frequency: 869.5MHz / 434 MHz
- Signal: Radio Frequency
- Range: 95 ft.

MECHANICAL DIAGRAM



OPERATION



TOUCHDIAL™ Full Control System

TOUCHDIAL™ REMOTE RGB(W) CONTROL



TOUCHDIAL™ Remote RGB(W) Control DI-RF-REM-RGBW-4

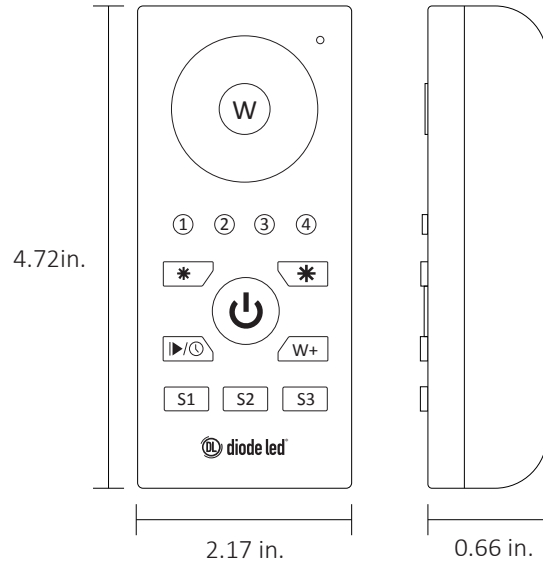
Four zone hand held color controller.



- RGB(W), adjustable kelvin, and single color control
- Input: 3x AAA 1.5V Batteries (Not Included)
- Operating Frequency: 434MHz / 868 MHz
- Signal: Radio Frequency
- Range: 95 ft.

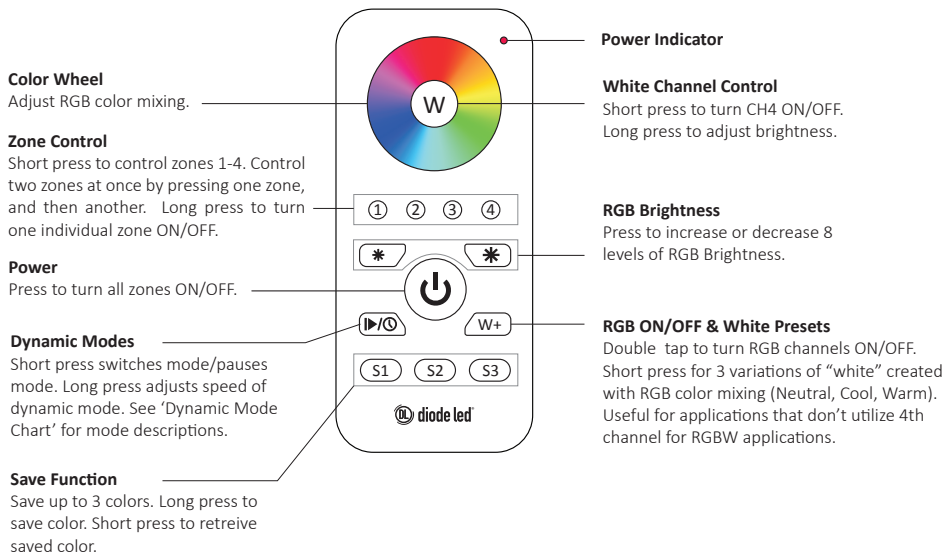
Note: The TOUCHDIAL Remote RGB(W) Control is not compatible with the **DI-RF-REC-CV-SC** TOUCHDIAL Mini-Receiver.

MECHANICAL DIAGRAM



OPERATION

See *TOUCHDIAL APPLICATION INSTALLATION GUIDE* for detailed mobile device setup and use.



DYNAMIC MODE CHART

Mode	Description
1	Random Fade
2	Random Fade
3	Random Fade
4	Random Fade
5	RGB Fade In/Out
6	RGB Fade In
7	RGB Fade Out
8	RGB Skip
9	Random Fade
10	Random Fade

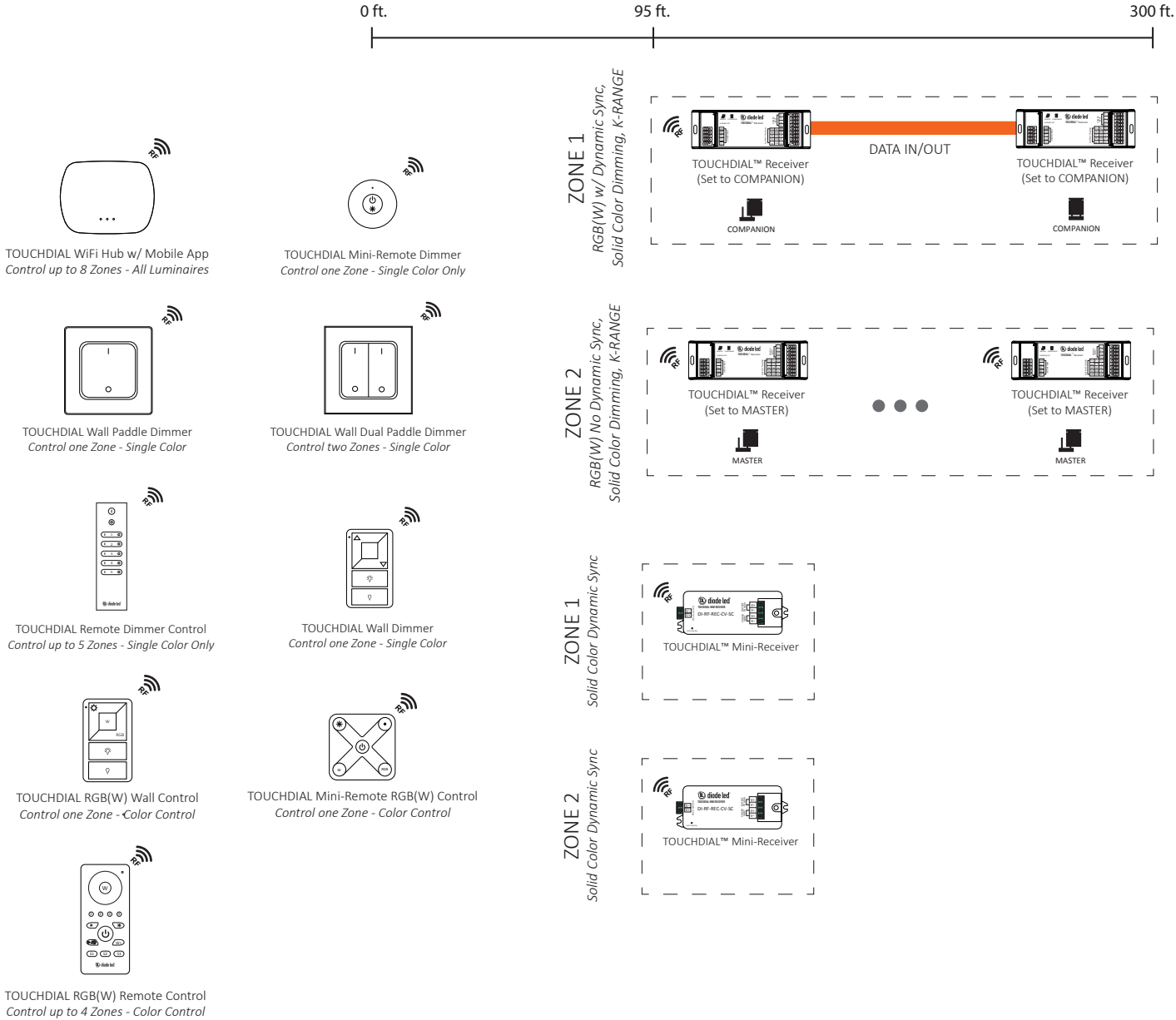
TOUCHDIAL™ Full Control System

GENERAL DIAGRAM

See TOUCHDIAL INSTALLATION GUIDES for detailed connections to driver and luminaire.

Max RF Distance Control to MASTER Receiver: 95 ft.
Max # MASTER receivers paired to single zone: Unlimited
Max # Controls Paired to Each MASTER Receiver: Unlimited

Max Data Wire Distance: 300 ft.
Max Slaves Wired to MASTER Within 300 ft.: Unlimited



ADDITIONAL INFORMATION

- TOUCHDIAL™ Control System Installation Guide
- TOUCHDIAL™ Mini-Receiver Installation Guide
- TOUCHDIAL™ WiFi Hub Installation Guide
- TOUCHDIAL™ Mini-Remote Dimmer Installation Guide
- TOUCHDIAL™ Wall Paddle Dimmer Installation Guide
- TOUCHDIAL™ Wall Dual Paddle Dimmer Installation Guide
- TOUCHDIAL™ Remote Dimmer Control Installation Guide
- TOUCHDIAL™ Wall Dimmer Installation Guide
- TOUCHDIAL™ RGB(W) Wall Control Installation Guide
- TOUCHDIAL™ Mini-Remote RGB(W) Control Installation Guide
- TOUCHDIAL™ Remote RGB(W) Control Installation Guide
- TOUCHDIAL™ Application Operation

SAFETY / WARNINGS / DISCLOSURES

1. Install in accordance with national and local electrical code regulations.
2. This product is intended to be installed and serviced by a qualified, licensed electrician.
3. DO NOT connect directly to high voltage power. Install with a compatible Class 2 constant voltage LED driver (power supply).
4. Only install with a Class 2 DC Constant Voltage LED driver.
5. Only use copper wiring. Use wires rated for at least 176°F (80°C) and certified for use with external connection of electrical equipment.
6. Ensure applicable wire is installed between driver, fixture, and any controls in-between. When choosing wire, factor in voltage drop, amperage rating, and type (in-wall rated, wet location rated, etc.). Inadequate wire installation could overheat wires, and cause fire.
7. This product is rated for indoor installation and is not protected against moisture.
8. Do not install in environment where excessive heat may exist (ex. close proximity to fireplace, etc.) See Ambient Temperature ratings
9. Do not modify product beyond instructions or warranty will be void.
10. We reserve the right to modify and improve the design of our controls without prior notice. We cannot guarantee to match existing installed system for subsequent orders or replacements in regards to product appearance, or operation.

WARRANTY

Limited Warranty

This product has a five (5) year limited warranty from the date of shipment. This warranty does not include the additional accessories referenced in this specification sheet. Complete warranty details for fixtures and additional accessories are available at www.diodeled.com/limited-warranty/ within the Policies section. For warranty related questions please contact product support.

Consumer's Acknowledgment

Elemental LED, Inc. stands behind its products when they are used properly and according to our specifications. By purchasing our products, the purchaser agrees and acknowledges that lighting design, configuration and installation is a complex process, wherein seemingly minor factors or changes in layout and infield adjustments can have a significant impact on an entire system. Choosing the correct components is essential. Elemental LED is able to work with the original purchaser to make an appropriate product selection to the extent of the limited information that the customer can provide, but it is virtually impossible for Elemental LED to design a system that foresees every unknown factor. For this reason, this Warranty does not cover problems caused by improper design, configuration or installation issues. Any statement from an Elemental LED employee or agent regarding a customer's bill of goods and/or purchase order is NOT an acknowledgment that the products purchased are designed and configured correctly. The purchaser agrees and acknowledges that it is the customer's responsibility to adhere strictly to all information contained in the Product Specification Sheets.

There is often more than one way to design, configure and layout an LED lighting application properly to achieve the same lighting effect. Elemental LED strongly recommends that licensed professionals be used in the design and installation of lighting systems that include Elemental LED products. The specifications include important information that a designer and installer should carefully review and strictly follow. Qualified designers and certified and/or licensed installers, with access to the final installation environment, customer goals, and Elemental LED product specifications can make the requisite decisions appropriate for a successful finished lighting application.



© 2020 Elemental LED, Inc. All rights reserved.
Specifications are subject to change without notice.

Toll Free: 877.817.6028 | Fax: 415.592.1596 | www.DiodeLED.com | info@DiodeLED.com