

OMNIDRIVE® Basics

Electronic Dimmable Driver

Compact electronic dimmable (ELV) driver for everyday projects.
Compatible with the most popular dimmers.

Date _____

Project Notes _____

FEATURES

- No minimum load
- Smooth dimming to 5%
- Versatile form factor
- Competitively priced
- Optional UL Listed Junction Box
- Simple to install
- 5 Year warranty



ORDERING CODES

Driver Only

Diode LED	Model	Voltage / Wattage	Junction Box
DI			
	ODBELV	12V60W 24V60W	LPELV

OPTIONAL ORDERING CODES

Add UL Listed Junction Box

RECOMMENDED DIMMERS

Inquire for Dimmers not listed

- Lutron Caseta: Pd-5Ne
- Lutron Diva: Dvelv-300P
- Lutron Diva: Dvcl-153-P
- Lutron Homeworks Qs: Hqrd 6Nd
- Lutron Maestro: Macl-153M
- Lutron Maestro: Maelv-600
- Lutron Radio Ra2: Rrd-Pro
- Leviton Decora: Dse06-10Z
- Leviton Sureslide: 6674-P

Model	DI-ODBELV-12V60W	DI-ODBELV-24V60W
Maximum Load	60W	60W
Input Voltage / Frequency	120V AC 50/60Hz, 0.5A	120V AC 50/60Hz, 0.5A
Class 2 Listed	Yes	Yes
Voltage	12VDC	24VDC
Ambient Temperature	-22 ~ 194°F (-30 ~ +90°C)	-22 ~ 194°F (-30 ~ +90°C)
Operating Temperature	-22 ~ 158°F (-30 ~ +70°C)	-22 ~ 158°F (-30 ~ +70°C)
Minimum Load	No minimum load	No minimum load
Dimmable	Yes	Yes
Connection Type	18AWG Bare Wire Leads	18AWG Bare Wire Leads
Circuit Breakers	Auto-reset; short circuit, overload and thermal protection	Auto-reset; short circuit, overload and thermal protection
Efficiency	>98%	>85%
Environment	N/A	N/A
Working Humidity	95% RH max	95% RH max
Dimensions	1.75 x 0.96 x 4.2 in. (W x H x L)	1.75 x 0.96 x 4.2 in. (W x H x L)
Certification	UL recognized/Class 2	UL recognized/Class 2
Warranty	5 Year	5 Year

OMNIDRIVE® Basics
Electronic Dimmable Driver

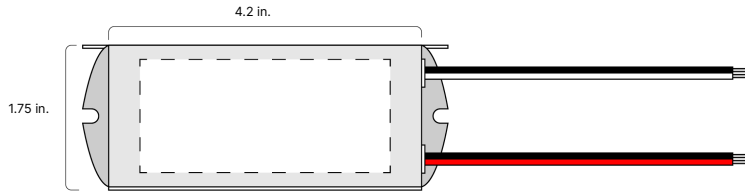
Compact electronic dimmable (ELV) driver for everyday projects.
Compatible with the most popular dimmers.

Date _____

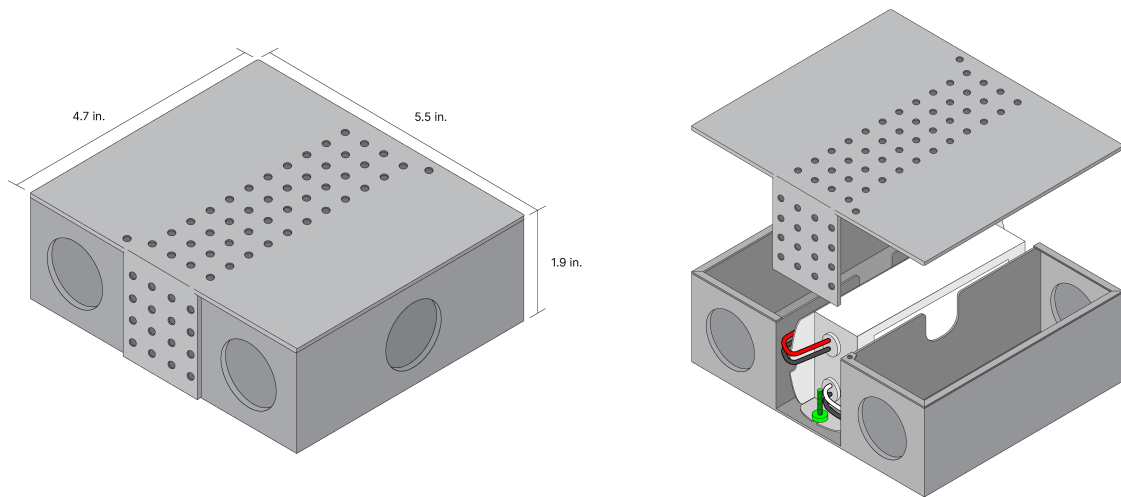
Project Notes _____

MECHANICAL DIAGRAMS

DI-ODBELV-12V60W
DI-ODBELV-24V60W



DI-JBOX-LPELV



OMNIDRIVE® Basics

Electronic Dimmable Driver

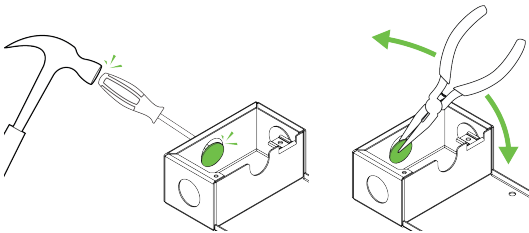
Compact electronic dimmable (ELV) driver for everyday projects. Compatible with the most popular dimmers.

Date _____

Project Notes _____

INSTALLATION

1. PUNCH OUT KNOCKOUTS FOR CONDUIT ACCESS



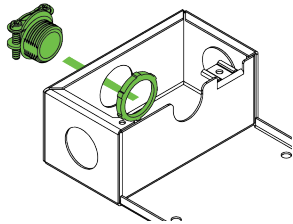
a. Use punch and hammer to loosen K/O.

b. Grip K/O with pliers. Bend back and forth until broken off.

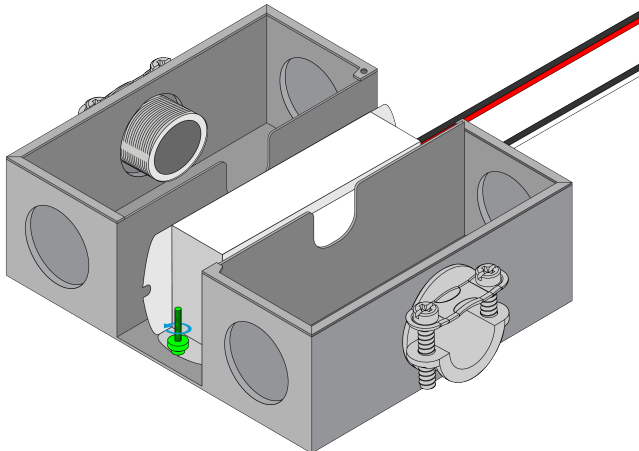
2. ATTACH CABLE STRAIN RELIEF

Attach included 3/8" NM (Non-Metallic) Cable Strain Relief or other fitting for conduit access.

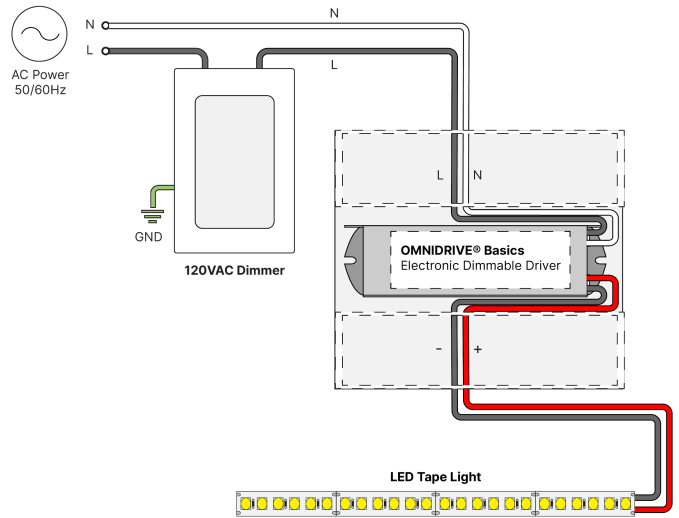
- Additional fittings for BX cable, flexible conduit and rigid conduit must be purchased at local hardware store.
- J-Box actual KO diameter is 0.87" and fits 3/8" fittings.



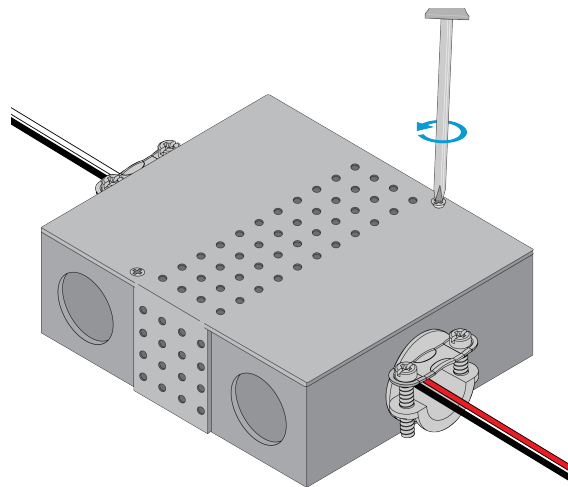
3. FASTEN POWER SUPPLY TO J-BOX



4. SYSTEM DIAGRAM



5. FINISH ASSEMBLY



OMNIDRIVE® Basics

Electronic Dimmable Driver

Compact electronic dimmable (ELV) driver for everyday projects.
Compatible with the most popular dimmers.

Date

Project Notes

CERTIFICATIONS

SAFETY / WARNINGS / DISCLOSURES

1. Install in accordance with national and local electrical code regulations.
2. This product is intended to be installed and serviced by a qualified, licensed electrician.
3. Only use copper wiring. Use wires rated for at least 176°F (80°C) and certified for use with external connection of electrical equipment.
4. Tape light, attached wire leads, and additional extension cables, connectors, etc., are not rated for in-wall installation unless otherwise noted. Tape light and attached wire leads are field-cuttable.
5. Ensure applicable wire is installed between driver, fixture, and any controls in-between. When choosing wire, factor in voltage drop, amperage rating, and type (in-wall rated, wet location rated, etc.). Inadequate wire installation could overheat wires, and cause fire.
6. Do not install in environment where excessive heat may exist (ex. close proximity to fireplace, etc.) See Ambient Temperature ratings
7. Do not modify product beyond instructions or warranty will be void.
8. Tape light must be handled with care. Excessive handling, bending, and pressure may damage the product, voiding the warranty.
9. Actual color may vary from what is pictured on this sheet and other print materials due to the limitations of photographic processes.
10. We reserve the right to modify and improve the design of our fixtures without prior notice. We cannot guarantee to match existing installed fixtures for subsequent orders or replacements in regards to product appearance, CCT, or lumen output.

WARRANTY

Limited Warranty

- 5 Years

This warranty does not include the additional accessories referenced in this specification sheet. Complete warranty details for fixtures and additional accessories are available at www.diodeled.com/limited-warranty/ within the Policies section. For warranty related questions please contact product support.

Consumer's Acknowledgment

Elemental LED, Inc. stands behind its products when they are used properly and according to our specifications. By purchasing our products, the purchaser agrees and acknowledges that lighting design, configuration and installation is a complex process, wherein seemingly minor factors or changes in layout and in-field adjustments can have a significant impact on an entire system. Choosing the correct components is essential. Elemental LED is able to work with the original purchaser to make an appropriate product selection to the extent of the limited information that the customer can provide, but it is virtually impossible for Elemental LED to design a system that foresees every unknown factor. For this reason, this Warranty does not cover problems caused by improper design, configuration or installation issues. Any statement from a Elemental LED employee or agent regarding a customer's bill of goods and/or purchase order is NOT an acknowledgment that the products purchased are designed and configured correctly. The purchase agrees and acknowledges that it is the customer's responsibility to adhere strictly to all information contained in the Product Specification Sheets.

There is often more than one way to design, configure and layout an LED lighting application properly to achieve the same lighting effect. Elemental LED strongly recommends that licensed professionals be used in the design and installation of lighting systems that include Elemental LED products. The specifications include important information that a designer and installer should carefully review and strictly follow. Qualified designers and certified and/or licensed installers, with access to the final installation environment, customer goals, and Elemental LED product specifications can make the requisite decisions appropriate for a successful finished lighting application.