

diode led[®] OPTICS BY DIODE LED[®] Flexible Strip Light

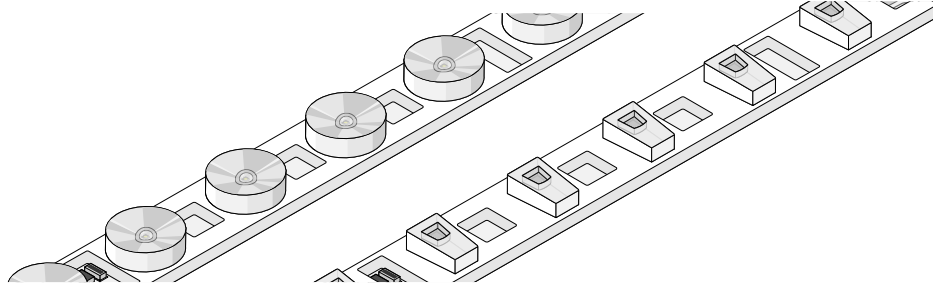
a division of elemental LED

SPECIFICATION SHEET



Item #

Project



| DI-24V-NO9 | | NARROW (NA) | ASYMMETRICAL (AS) |
|-----------------------------|-------|--|--|
| Voltage | | 24VDC | |
| Wattage | | 8.3W/ft. | |
| Lumens¹ | 2700K | 639 Lm/ft. | 622 Lm/ft. |
| | 3000K | 731 Lm/ft. | 731 Lm/ft. |
| | 3500K | 755 Lm/ft. | 755 Lm/ft. |
| | 4000K | 714 Lm/ft. | 696 Lm/ft. |
| Max. Run² | | 10 feet | |
| Cut Points | | 6 inches | |
| CRI | | 90+ | |
| Dimmable | | Yes | |
| Field Cuttable | | Yes | |
| Dimensions | | 0.35 x 0.72 in. (H x W) (Narrow Angle) | 0.38 x 0.72 in. (H x W) (Asymmetrical) |
| Beam Angle | | 15° x 15° | Asymmetrical |
| Environment* | | Outdoor / Wet Location / IP67 | |
| Certification | | ETL Listed | |
| Warranty | | 5-Year Warranty | |

SKU BUILDER

***WARNING: NOT FOR USE IN SUBMERSIBLE APPLICATIONS**

DI

-

24V

-

NO9

10

Voltage
Type
CCT
Model
Length

| CCT | |
|-----|-----|
| 27K | 35K |
| 30K | 40K |

| MODEL |
|-------|
| NA |
| AS |

Example: DI-24V-NO9-30K-NA-10 = Diode LED, OPTICS BY DIODE LED[®], 3000 CCT, Narrow Angle, 10' long spool.

© 2020 Elemental LED, Inc. All rights reserved. Specifications are subject to change without notice.

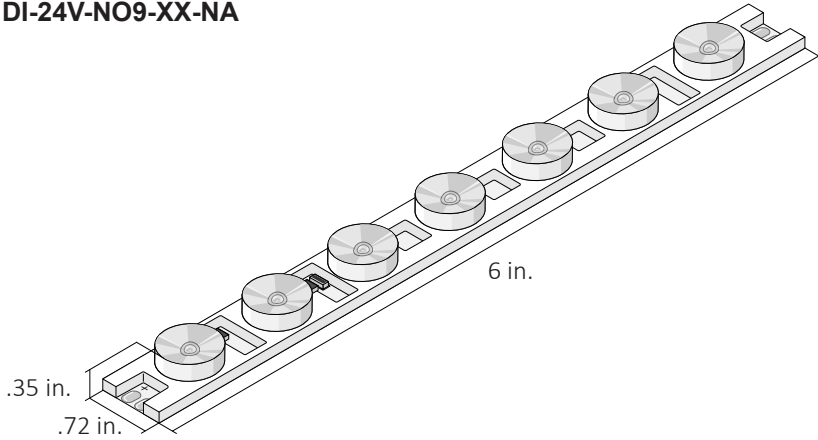
Toll Free: 877.817.6028 | Fax: 415.592.1596 | www.DiodeLED.com | info@DiodeLED.com

OPTICS BY DIODE LED® Flexible Strip Light

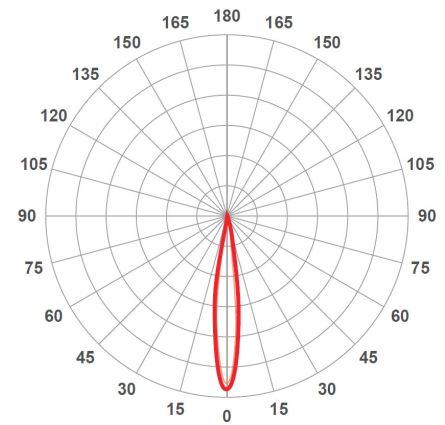
SPECIFICATION SHEET

MECHANICAL DIAGRAMS

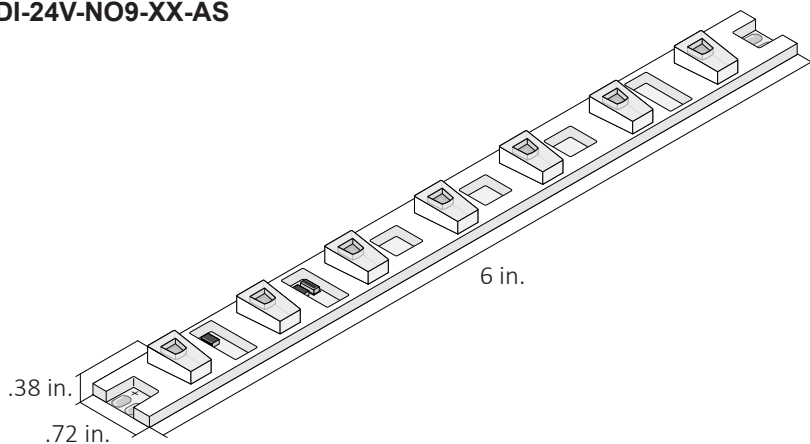
OPTICS BY DIODE LED® Strip Light (Narrow Angle)
DI-24V-NO9-XX-NA



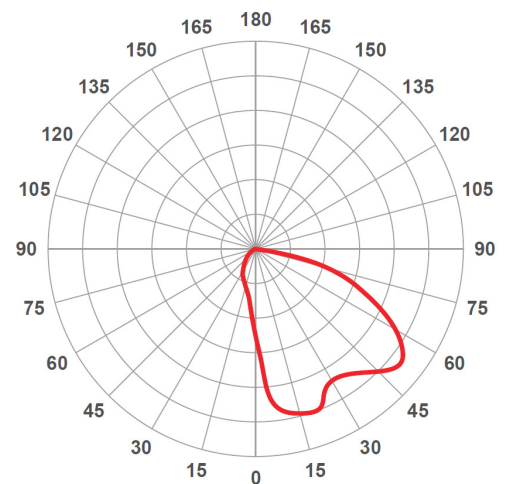
PHOTOMETRICS (Narrow Angle)



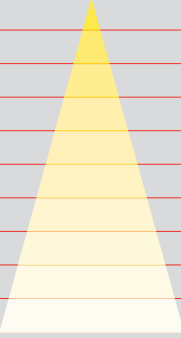
OPTICS BY DIODE LED® Strip Light (Asymmetrical)
DI-24V-NO9-XX-AS




PHOTOMETRICS (Asymmetrical)



OPTICS BEAM ANGLES

| Distance to Illuminated Surface | OPTICS By Diode LED Narrow Beam | Beam Spread |
|---------------------------------|---|-------------|
| 1 ft. |  | 0.26 ft. |
| 2 ft. | | 0.53 ft. |
| 3 ft. | | 0.79 ft. |
| 4 ft. | | 1.05 ft. |
| 5 ft. | | 1.31 ft. |
| 6 ft. | | 1.58 ft. |
| 7 ft. | | 1.84 ft. |
| 8 ft. | | 2.10 ft. |
| 9 ft. | | 2.39 ft. |
| 10 ft. | | 2.63 ft. |

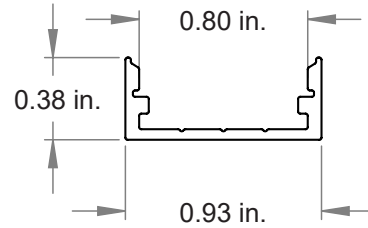
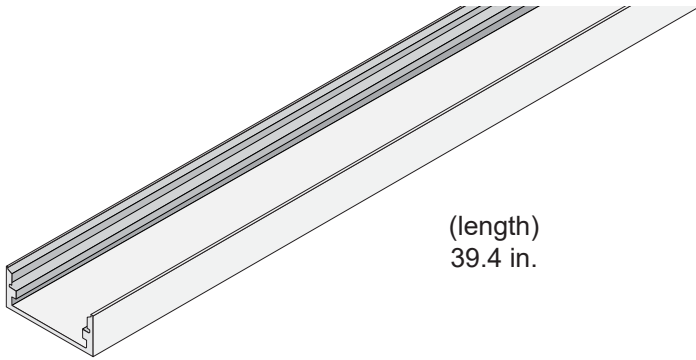
| Distance to Illuminated Surface | OPTICS By Diode LED Asymmetrical Beam | Beam Spread |
|---------------------------------|---|-------------|
| 1 ft. |  | 2.66 ft. |
| 2 ft. | | 5.77 ft. |
| 3 ft. | | 7.98 ft. |
| 4 ft. | | 10.64 ft. |
| 5 ft. | | 13.32 ft. |
| 6 ft. | | 15.95 ft. |
| 7 ft. | | 18.62 ft. |
| 8 ft. | | 21.28 ft. |
| 9 ft. | | 23.93 ft. |
| 10 ft. | | 26.59 ft. |

OPTICS BY DIODE LED® Flexible Strip Light

SPECIFICATION SHEET

ACCESSORIES

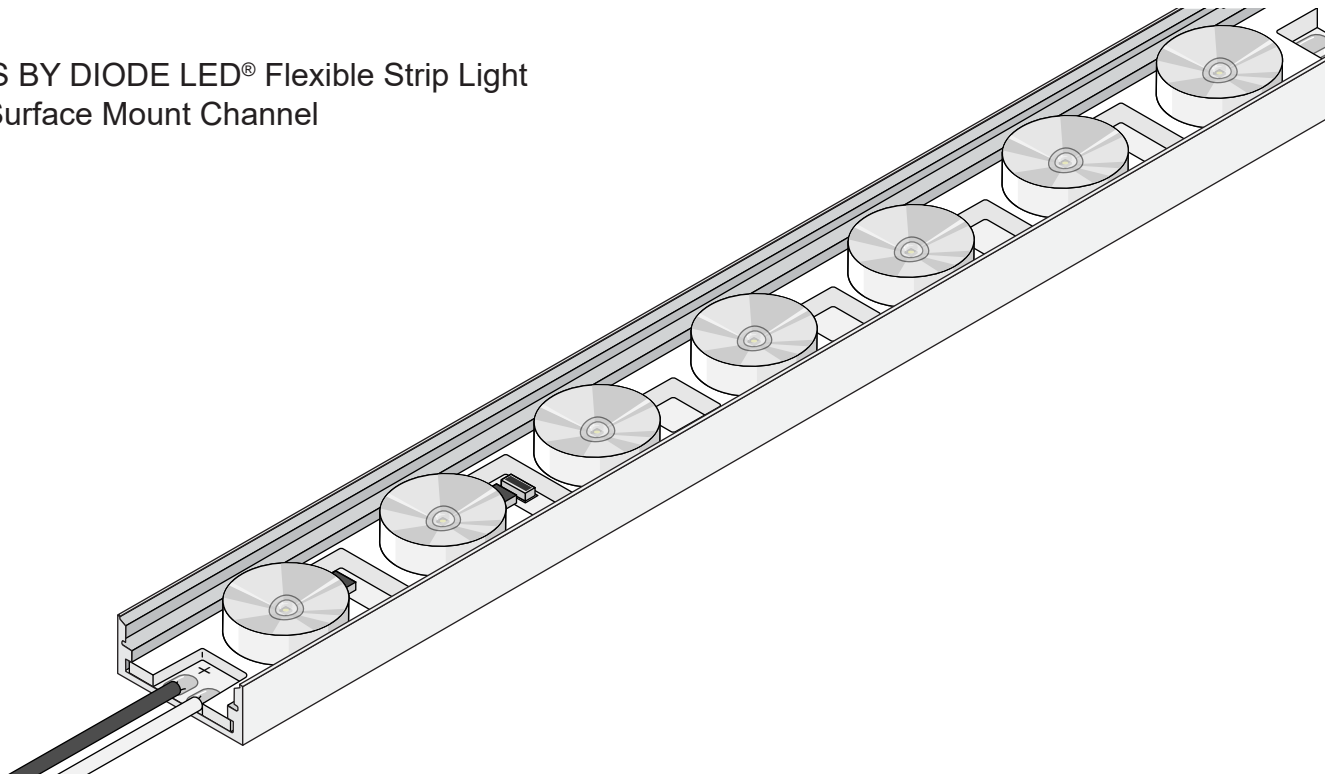
OPTICS BY DIODE LED® Surface Mount Channel
DI-NO-MTCH-39



| | |
|----------------------|---|
| Material | Aluminum |
| Environment | Indoor / Outdoor |
| Installation* | Surface Mount, Pre-drilled Mounting Holes |
| Accessories | Mounting Screws (included) |

*No silicone required to mount strip light into channel.

OPTICS BY DIODE LED® Flexible Strip Light
inside Surface Mount Channel

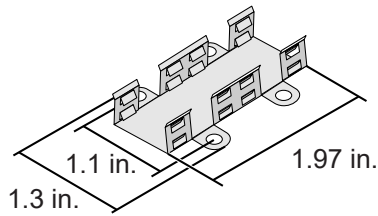


OPTICS BY DIODE LED® Flexible Strip Light

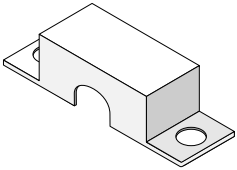
SPECIFICATION SHEET

ACCESSORIES

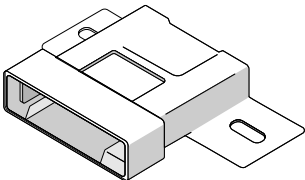
OPTICS BY DIODE LED® Mounting Clip
DI-NO-MTCL



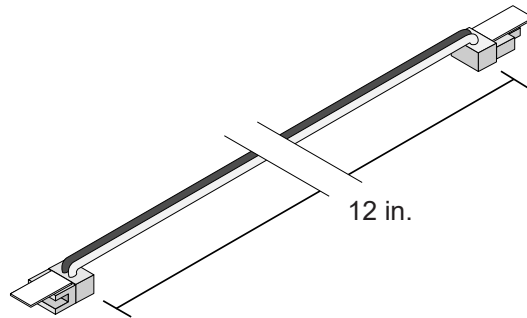
OPTICS BY DIODE LED® Strain Relief
DI-NO-STRAIN



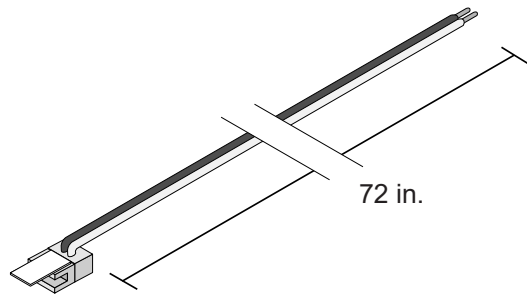
OPTICS BY DIODE LED® Termination Cap
DI-NO-TC



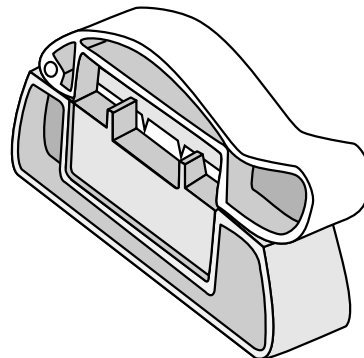
OPTICS BY DIODE LED® Extension Cable
DI-NO-EXT-12



OPTICS BY DIODE LED® Splice Cable
DI-NO-SPL-72



OPTICS BY DIODE LED® Cutter
DI-NO-CUTTER



OPTICS BY DIODE LED® Flexible Strip Light

SPECIFICATION SHEET

LED DRIVERS (Required)

The following Listed LED Drivers are recommended for compatibility and to meet NEC code when installed according to specifications. For additional LED Driver options see Diode LED's product page at: <https://www.diodeled.com/products/led-power-supplies.html>

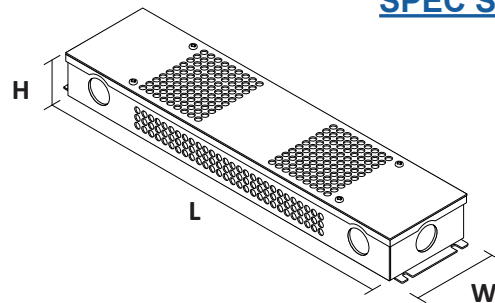
ELECTRONIC DRIVER

OMNIDRIVE® X ELECTRONIC DIMMABLE LED DRIVER

OMNIDRIVE X is a versatile driver for most high-performance dimming applications.

| | | | |
|----|-----|---|------------------------------------|
| DI | ODX | Voltage & Power Output 24V24W | Junction Box Options J3R |
|----|-----|---|------------------------------------|

| SKU | L - LENGTH | W - WIDTH | H - HEIGHT |
|---------------------|------------|-----------|------------|
| DI-ODX-24V30W | 6.10 in. | 2.10 in. | 0.80 in. |
| DI-ODX-24V60W | 7.00 in. | 2.40 in. | 0.90 in. |
| DI-ODX-24V96W | 9.00 in. | 2.70 in. | 1.70 in. |
| DI-ODX-24V120W-JBOX | 15.00 in. | 3.10 in. | 2.30 in. |
| DI-ODX-24V200W-JBOX | 16.00 in. | 3.40 in. | 2.40 in. |



[SPEC SHEET](#)



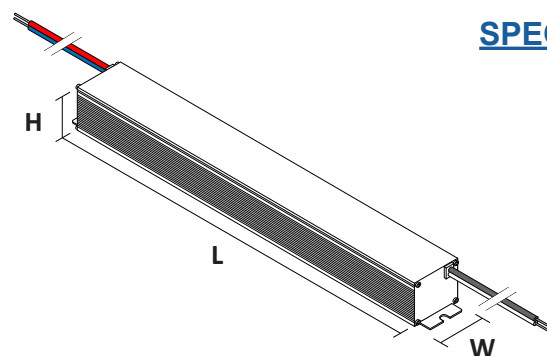
ON/OFF, DMX, & PWM CONTROL (cont.)

VLM SERIES CONSTANT VOLTAGE DRIVER

Use Constant Voltage Drivers to power your low voltage tape light. Compatible with Standard 120VAC On/Off Switches, REIGN® 12-24V Low Voltage Dimmers, TOUCHDIAL™ Control System, DMX Decoders, and PWM Controls.

| | | | | |
|-----|---------|---|----|---------|
| VLM | Wattage | - | 24 | Voltage |
| | 60W | | | |
| | 100W | | | |

| SKU | L - LENGTH | W - WIDTH | H - HEIGHT |
|------------|------------|-----------|------------|
| VLM60W-24 | 5.1 in. | .75 in. | .77 in. |
| VLM100W-24 | 5.38 in. | 1 in. | .77 in. |



[SPEC SHEET](#)



OPTICS BY DIODE LED® Flexible Strip Light

SPECIFICATION SHEET

LED DRIVERS (Required)

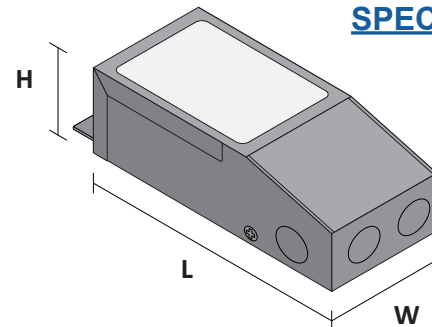
MAGNETIC DRIVER

MAGNETIC DIMMABLE LED DRIVER

Highly compatible magnetic dimmable driver for use with many dimmers, on/off switches, and most LED tape light and puck lights.

| | | | |
|----|------------------------|---------------|---------|
| | Model & Output Voltage | Input Voltage | Wattage |
| DI | MLV-24V | 120VAC | 20W |

| SKU | L - LENGTH | W - WIDTH | H - HEIGHT |
|--------------------|------------|-----------|------------|
| DI-MLV-24V20W | 5.70 in. | 2.20 in. | 2.20 in. |
| DI-MLV-24V40W | 5.70 in. | 2.20 in. | 2.20 in. |
| DI-MLV-24V60W | 6.60 in. | 2.20 in. | 2.20 in. |
| DI-MLV-24V96W | 6.60 in. | 2.60 in. | 2.30 in. |
| DI-MLV-24V200W | 9.80 in. | 3.00 in. | 3.00 in. |
| DI-MLV-24V300W | 9.80 in. | 3.50 in. | 4.20 in. |
| DI-MLV-24V192W-MT | 9.80 in. | 3.20 in. | 4.20 in. |
| DI-MLV-24V288W-MT | 9.80 in. | 3.20 in. | 4.20 in. |
| DI-MLV-24V20W-277 | 5.70 in. | 2.20 in. | 2.20 in. |
| DI-MLV-24V40W-277 | 5.70 in. | 2.20 in. | 2.20 in. |
| DI-MLV-24V96W-277 | 9.80 in. | 3.00 in. | 3.00 in. |
| DI-MLV-24V200W-277 | 9.80 in. | 3.50 in. | 4.20 in. |
| DI-MLV-24V300W-277 | 9.80 in. | 3.50 in. | 4.20 in. |



[SPEC SHEET](#)



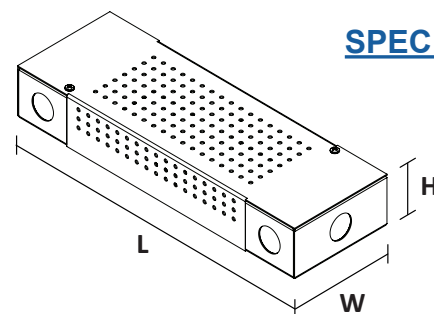
0-10V

LO-PRO® JUNCTION BOX & DRIVER COMBO - 24V COMMERCIAL GRADE 0-10V LED DIMMABLE DRIVER

Compatible with 0-10V controls and dimming systems.

| | | |
|-------|----------|--------------|
| | | Junction Box |
| DI-DM | MW24V60W | 0-10V LPS |

| SKU | L - LENGTH | W - WIDTH | H - HEIGHT |
|---------------------------|------------|-----------|------------|
| DI-DM-MW-24V60W-0-10V-LPS | 11.25 in. | 3.75 in. | 1.90 in. |
| DI-DM-MW-24V90W-0-10V-LPL | 13.5 in. | 4.5 in. | 2.37 in. |



[SPEC SHEET](#)



OPTICS BY DIODE LED® Flexible Strip Light

SPECIFICATION SHEET

LED DRIVERS (Required)

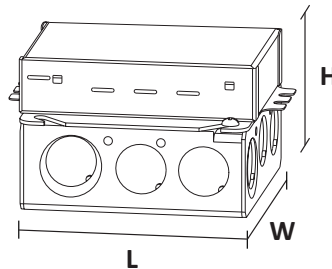
LUTRON OPTIONS

LUTRON Hi-lume 1% LED DIMMABLE DRIVER

Hi-lume 1% LED Driver has a minimum load of 5W and dims from 100-1%.

| | | |
|--------------|------------------------|--------------------------|
| | Voltage & Power Output | 3-Wire or 2-Wire Dimmers |
| DI-DM | 24V40W | L3D |

| SKU | L - LENGTH | W - WIDTH | H - HEIGHT |
|-------------------------|------------|-----------|------------|
| DI-DM-24V40W-L3D | 4.89 in. | 4.00 in. | 2.62 in. |
| DI-DM-24V40W-LTE | | | |



[L3D SPEC SHEET](#)
[LTE SPEC SHEET](#)

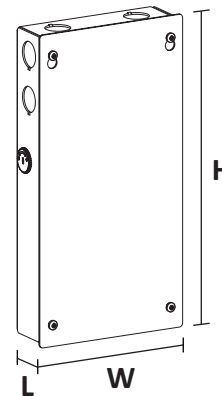


LUTRON Hi-lume Premier 0.1% LED DIMMABLE DRIVER

Hi-Lume Premier 0.1% LED Driver has a minimum load of 5W and dims from 100-0.1%.

| | | |
|--------------|------------------------|------------|
| | Voltage & Power Output | |
| DI-DM | 24V96W | L3D |

| SKU | L - LENGTH | W - WIDTH | H - HEIGHT |
|-------------------------|------------|-----------|------------|
| DI-DM-24V96W-L3D | 5.50 in. | 2.20 in. | 10.50 in. |



[SPEC SHEET](#)



OPTICS BY DIODE LED® Flexible Strip Light

SPECIFICATION SHEET

SPECIFICATIONS

- Input: 24VDC Constant Voltage
- Luminous Efficacy³: 89.4 Lm/ft.
- Material: UV/IR resistant silicone
- Mounting (sold separately): Bottom U-Clip
- Connections: (1) 48" 20/2AWG bare wire lead,
Additional Leads Sold Separately (See page 3 for details)
- Ambient Temp⁴: -4 - 122°F (-20 ~ 50°C)
- Operating Temp⁵: -4 - 176°F (-20 ~ 80°C)
- Flammability⁶: Flame retardant
- UV Resistance: Yes but may still degrade over time

COMPLIANCE & REGULATORY APPROVALS

Safety

- ETL Listed. Certified for United States and Canada.

Performance

- LED chip data measured in accordance to IES LM-80-08.
- Photometric & Colorimetry data measured in accordance to IES LM-79-08, in Elemental LED's Innovation Lab.

COMPATIBLE DRIVERS

Additional information on compatible Drivers can be found on the Diode LED web site at: www.DiodeLED.com.

1. Lumen value measured in accordance to IES LM-79. LED chips have a luminous flux range with a tolerance of +/- 5%.
2. Each maximum run requires a dedicated power feed from the driver. Do not extend beyond the recommended maximum run length.
3. Actual efficacy value is dependent on specified LED driver (power supply). An estimated efficacy value can be calculated as follows: Lumen value divided by average power consumption per foot.
4. Do not install product in an environment outside the listed ambient temperature. Exceeding the maximum ambient temperature may damage LED chips, reduce the total lamp life, lumen output, and/or adversely impact color consistency.
5. Operating temperature is measured according to the minimum and maximum ambient temperature environment.
6. This product has been tested and passed glow-wire flammability tests (GWFI index) at 650°C/1200°F, providing an extra level of safety for common areas, hospitality, and areas of high risk fire.

OPTICS BY DIODE LED® Flexible Strip Light

SPECIFICATION SHEET

ADDITIONAL INFORMATION

- OPTICS BY DIODE LED® FLEXIBLE STRIP LIGHT Installation Guide

SAFETY / WARNINGS / DISCLOSURES

1. Install in accordance with national and local electrical code regulations.
2. This product is intended to be installed and serviced by a qualified, licensed electrician.
3. Only install with a listed Class 2 DC LED Driver.
4. Not for use in or on walls of pools, fountains, or other partially or fully submersed locations.
5. Do not modify or disassemble product beyond instructions or this warranty will be void.
6. Actual color may vary from what is pictured above and on other print materials due to the limitations of photographic processes.
7. We reserve the right to modify and improve the design of our fixtures without prior notice. We cannot guarantee to match existing installed fixtures for subsequent orders or replacements in regards to product appearance, CCT, or lumen output.

WARRANTY

Limited Warranty

This product has a five (5) year limited warranty from the date of shipment. This warranty does not include the additional accessories referenced in this specification sheet. Complete warranty details for fixtures and additional accessories are available at www.diodeled.com/limited-warranty/ within the Policies section. For warranty related questions please contact product support.

Consumer's Acknowledgment

Elemental LED, Inc. stands behind its products when they are used properly and according to our specifications. By purchasing our products, the purchaser agrees and acknowledges that lighting design, configuration and installation is a complex process, wherein seemingly minor factors or changes in layout and infield adjustments can have a significant impact on an entire system. Choosing the correct components is essential. Elemental LED is able to work with the original purchaser to make an appropriate product selection to the extent of the limited information that the customer can provide, but it is virtually impossible for Elemental LED to design a system that foresees every unknown factor. For this reason, this Warranty does not cover problems caused by improper design, configuration or installation issues. Any statement from an Elemental LED employee or agent regarding a customer's bill of goods and/or purchase order is NOT an acknowledgment that the products purchased are designed and configured correctly. The purchaser agrees and acknowledges that it is the customer's responsibility to adhere strictly to all information contained in the Product Specification Sheets.

There is often more than one way to design, configure and layout an LED lighting application properly to achieve the same lighting effect. Elemental LED strongly recommends that licensed professionals be used in the design and installation of lighting systems that include Elemental LED products. The specifications include important information that a designer and installer should carefully review and strictly follow. Qualified designers and certified and/or licensed installers, with access to the final installation environment, customer goals, and Elemental LED product specifications can make the requisite decisions appropriate for a successful finished lighting application.



© 2020 Elemental LED, Inc. All rights reserved.
Specifications are subject to change without notice.

Toll Free: 877.817.6028 | Fax: 415.592.1596 | www.DiodeLED.com | info@DiodeLED.com