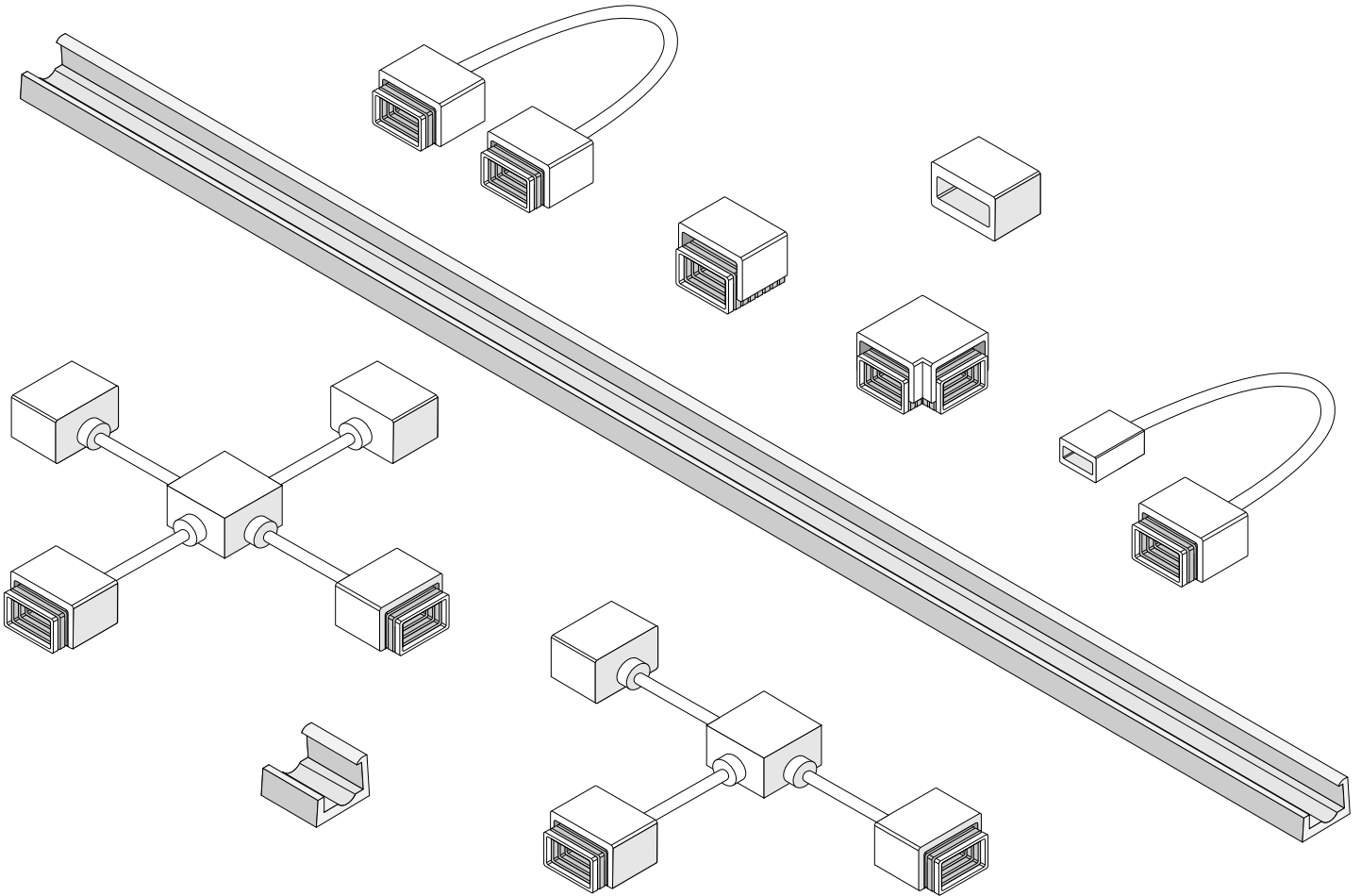




Item # _____
Project _____



SKU Builder*

DI	-	24V	-	HLS	-	
		Voltage		Model		

*See pages 2-3 for exact SKU's for each product.
Example: DI-24V-HLS-TC = Hydrolume Slim T-Connector.

HYDROLUME[®] SLIM 24V Accessories

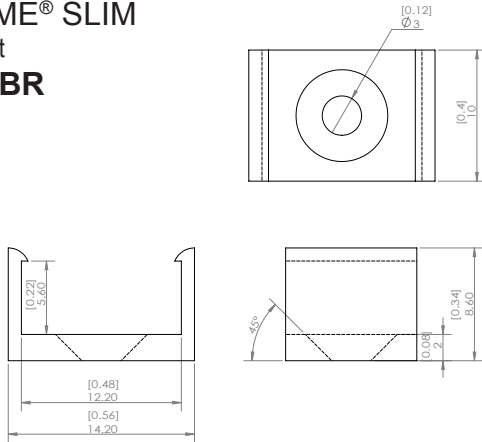
SPECIFICATION SHEET

SPECIFICATIONS

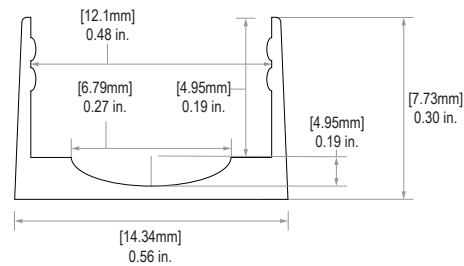
- Connection leads: 22/2 AWG
- Ambient Temp¹: -4 - 122°F (-20 ~ 50°C)

MECHANICAL DIAGRAMS

HYDROLUME[®] SLIM
Mounting Bracket
DI-HLS-MTBR



HYDROLUME[®] SLIM
Mounting Channel
(Length: 39.4in.)
DI-HLS-MTCH

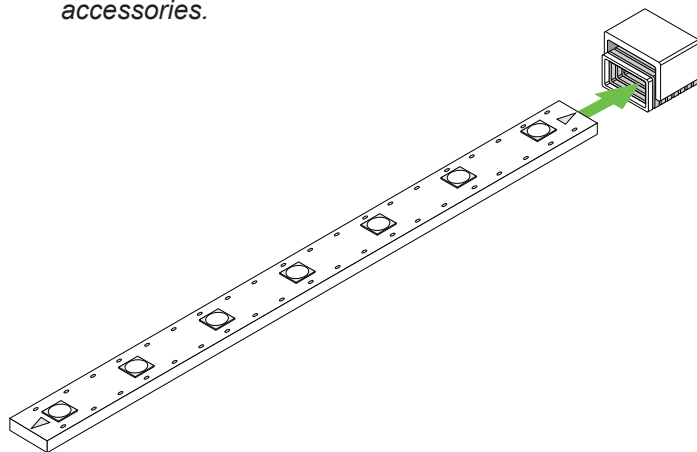


QUICK CONNECTION GUIDE

Refer to the Hydrolume SLIM Installation guide for further details.

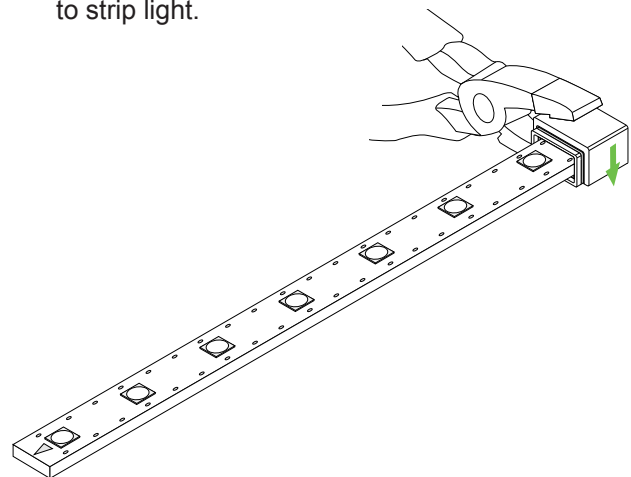
① INSERT HYDROLUME[®] SLIM LED STRIP LIGHT INTO CONNECTOR

Note: HYDROLUME[®] SLIM LED Strip Light may be connected from either end with compatible accessories.



② CRIMP CONNECTOR TO STRIP LIGHT

Using a pair of pliers, apply even pressure to top and bottom of connector until it is securely fastened to strip light.



1. Do not install product in an environment outside the listed ambient temperature. Exceeding the maximum ambient temperature may damage LED chips, reduce the total lamp life, lumen output, and/or adversely impact color consistency.

HYDROLUME® SLIM 24V Accessories

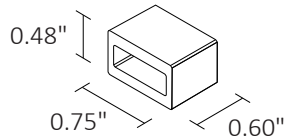
SPECIFICATION SHEET

MECHANICAL DIAGRAMS (CONT.)

HYDROLUME® SLIM END CAP

Terminal end piece.

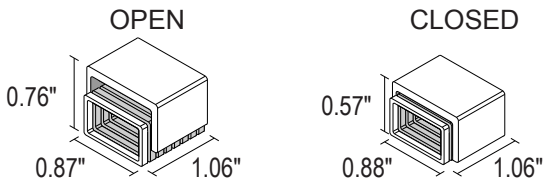
DI-HLS-EC



HYDROLUME® SLIM I-CONNECTOR

Connects two pieces of HYDROLUME® X together.

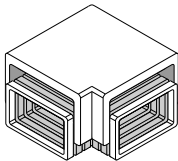
DI-HLS-IC



HYDROLUME® SLIM L-CONNECTOR

Connects two pieces of HYDROLUME® SLIM together.

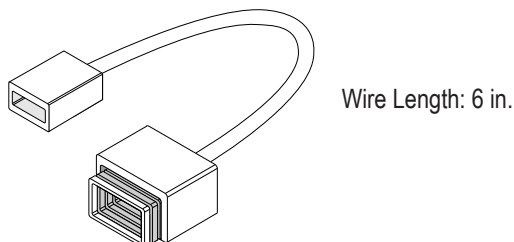
DI-HLS-LC



HYDROLUME® SLIM PS LINK CONNECTOR

Connects HYDROLUME® SLIM to a power supply. Refer to Installation Guide for further information.

DI-HLS-PWRC



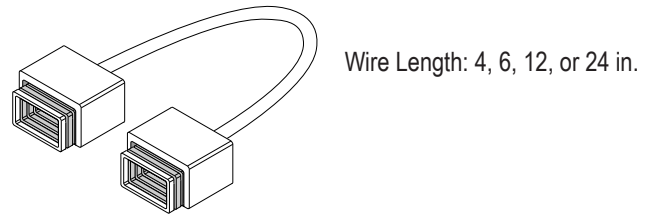
HYDROLUME® SLIM CABLE JUMPER

Creates a jumper between two pieces of HYDROLUME® SLIM Strip Light.

Length

DI-HLS-JP 4

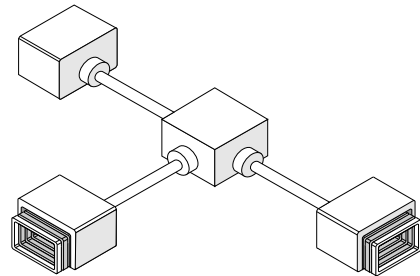
SKU	LENGTH
DI-HLS-JP4	4 in.
DI-HLS-JP6	6 in.
DI-HLS-JP12	12 in.
DI-HLS-JP24	24 in.



HYDROLUME® SLIM T-CONNECTOR

Connects three pieces of HYDROLUME® SLIM together.

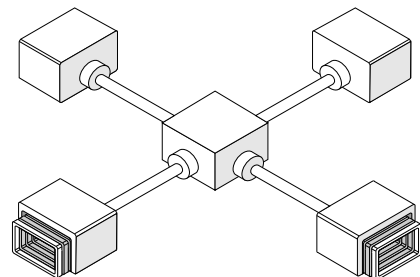
DI-HLS-TC



HYDROLUME® SLIM X-CONNECTOR

Connects four pieces of HYDROLUME® SLIM together.

DI-HLS-XC



HYDROLUME[®] SLIM 24V Accessories

SPECIFICATION SHEET

ADDITIONAL INFORMATION

- HYDROLUME[®] SLIM LED STRIP LIGHT Installation Guide

SAFETY / WARNINGS / DISCLOSURES

1. Install in accordance with national and local electrical code regulations.
2. This product is intended to be installed and serviced by a qualified, licensed electrician.
3. Only install with a listed Class 2 DC Constant Voltage LED Driver.
4. Not for use in or on walls of pools, fountains, or other partially or fully submersed locations.
5. Do not modify or disassemble product beyond instructions or this warranty will be void.
6. Actual color may vary from what is pictured above and on other print materials due to the limitations of photographic processes.
7. We reserve the right to modify and improve the design of our fixtures without prior notice. We cannot guarantee to match existing installed fixtures for subsequent orders or replacements in regards to product appearance, CCT, or lumen output.

WARRANTY

Limited Warranty

This product has a five (5) year limited warranty from the date of shipment. This warranty does not include the additional accessories referenced in this specification sheet. Complete warranty details for fixtures and additional accessories are available at www.diodeled.com/limited-warranty/ within the Policies section. For warranty related questions please contact product support.

Consumer's Acknowledgment

Elemental LED, Inc. stands behind its products when they are used properly and according to our specifications. By purchasing our products, the purchaser agrees and acknowledges that lighting design, configuration and installation is a complex process, wherein seemingly minor factors or changes in layout and infield adjustments can have a significant impact on an entire system. Choosing the correct components is essential. Elemental LED is able to work with the original purchaser to make an appropriate product selection to the extent of the limited information that the customer can provide, but it is virtually impossible for Elemental LED to design a system that foresees every unknown factor. For this reason, this Warranty does not cover problems caused by improper design, configuration or installation issues. Any statement from an Elemental LED employee or agent regarding a customer's bill of goods and/or purchase order is NOT an acknowledgment that the products purchased are designed and configured correctly. The purchaser agrees and acknowledges that it is the customer's responsibility to adhere strictly to all information contained in the Product Specification Sheets.

There is often more than one way to design, configure and layout an LED lighting application properly to achieve the same lighting effect. Elemental LED strongly recommends that licensed professionals be used in the design and installation of lighting systems that include Elemental LED products. The specifications include important information that a designer and installer should carefully review and strictly follow. Qualified designers and certified and/or licensed installers, with access to the final installation environment, customer goals, and Elemental LED product specifications can make the requisite decisions appropriate for a successful finished lighting application.



© 2019 Elemental LED, Inc. All rights reserved.
Specifications are subject to change without notice.

Toll Free: 877.817.6028 | Fax: 415.592.1596 | www.DiodeLED.com | info@DiodeLED.com