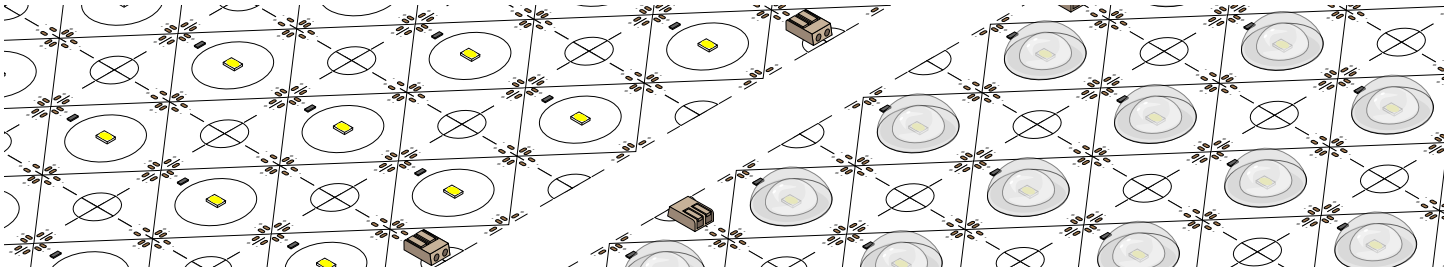




Item # \_\_\_\_\_  
Project \_\_\_\_\_



	PS30-120	PS30-160	PS60-120	PS60-160
<b>Voltage</b>	12VDC			
<b>Wattage</b>	0.31W per Square, 32W per Sheet			
<b>Lumens<sup>1</sup></b>	33 Lm/Square, 3480 Lm/Sheet			
<b>Max. Run<sup>2</sup></b>	190 Squares			
<b>Cut Points</b>	.66" - 1.3"			
<b>LED Chips</b>	105 per Sheet			
<b>Color Temperature</b>	3000	3000	6000	6000
<b>Beam Angle</b>	120°	160°	120°	160°
<b>CRI</b>	80+			
<b>Dimmable</b>	Yes			
<b>Field Cuttable</b>	Yes			
<b>Dimensions</b>	1.3 in. x 1.3 in. (W x H) Square 19.78 in. x 9.25 in. (W x H) Sheet			
<b>Environment*</b>	Indoor / Dry Location / Damp Location			
<b>Certification</b>	UL Recognized			
<b>Warranty</b>	5-Year Warranty			

\*WARNING: NOT FOR USE IN SUBMERSIBLE APPLICATIONS

**SKU Builder**

DI

-

12V

-

PS

---

2009

Voltage      Model      Color Temp      Beam Angle      ~20 in. x ~9 in.

30	120
60	160

Example: DI-12V-PS60-160-2009 = Diode, 12 Volt, PURALIGHT<sup>®</sup> Flex Sheet, 6,000° CCT, 160 degree beam angle (dome), 20" x 9"

## SPECIFICATIONS

- Input: 12VDC Constant Voltage
- Luminous Efficacy<sup>3</sup> (lm/w): 92~100
- Mounting: 3M VHB Adhesive backing
- Connections: WAGO Connectors
- Ambient Temp<sup>4</sup>: -4 - 122°F (-20 ~ 50°C)
- Operating Temp<sup>5</sup>: -4 - 176°F (-20 ~ 80°C)

## FEATURES

- Excellent Light spread for use within signage
- Easy to install
- Linkable

## COMPLIANCE & REGULATORY APPROVALS

### Safety

- UL Component Recognized Sign Accessories. Certified for United States and Canada. File # E469770.

### Performance

- LED chip data measured in accordance to IES LM-80-08.
- Photometric & Colorimetry data measured in accordance to IES LM-79-08, in Elemental LED's Innovation Lab.

## COMPATIBLE DRIVERS

Additional information on compatible Drivers can be found on page 4-5 or on the Diode LED web site at: [www.DiodeLED.com](http://www.DiodeLED.com).

## SPECIFYING?

*Note: The compatible products listed in this Specification Sheet are provided for reference only. For complete specifications of compatible products, click on the [SPEC SHEET](#) links provided.*

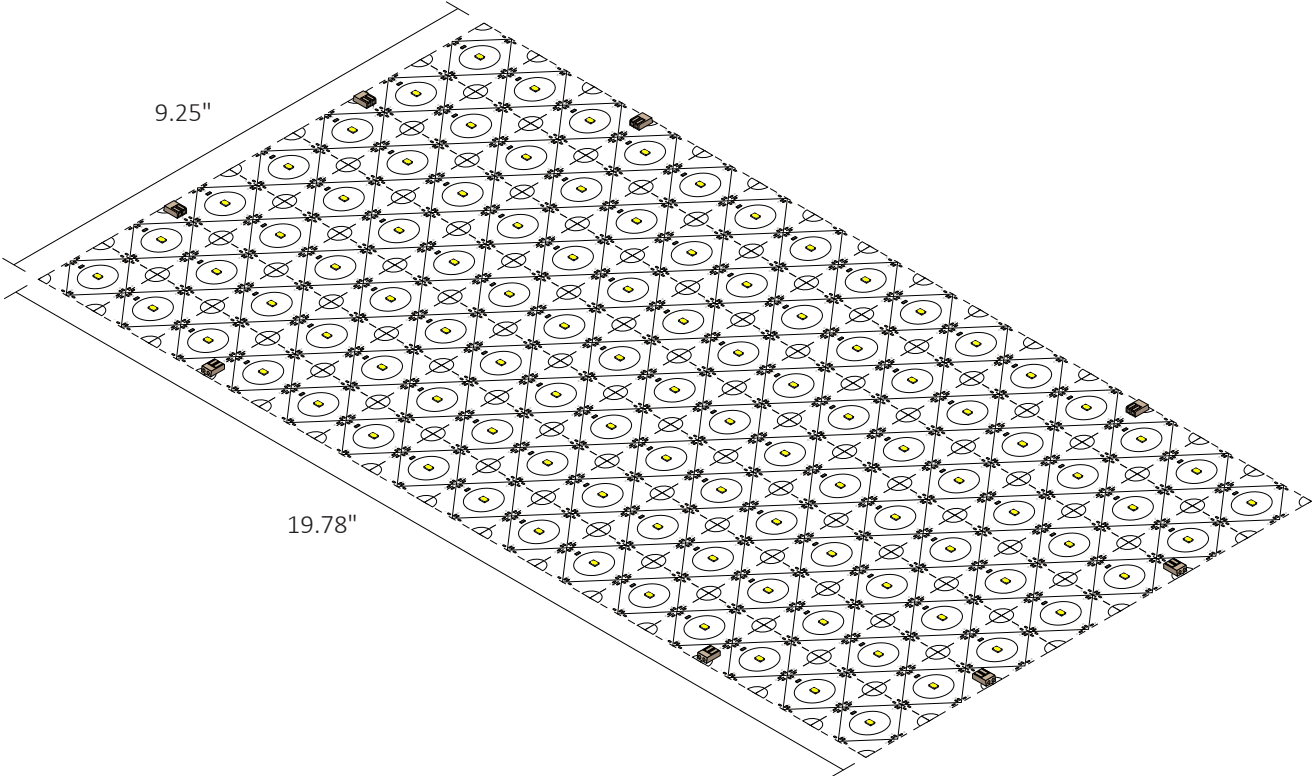
1. Lumen value measured in accordance to IES LM-79. LED chips have a luminous flux range with a tolerance of +/- 5%.
2. Each maximum run requires a dedicated power feed from the driver. Do not extend beyond the recommended maximum run length.
3. Actual efficacy value is dependent to specified LED driver (power supply). An estimated efficacy value can be calculated as follows: Lumen value divided by average power consumption per foot.
4. Do not install product in an environment outside the listed ambient temperature. Exceeding the maximum ambient temperature may damage LED chips, reduce the total lamp life, lumen output, and/or adversely impact color consistency.
5. Operating temperature is measured according to the minimum and maximum ambient temperature environment.

# PURALIGHT® Flex Sheet

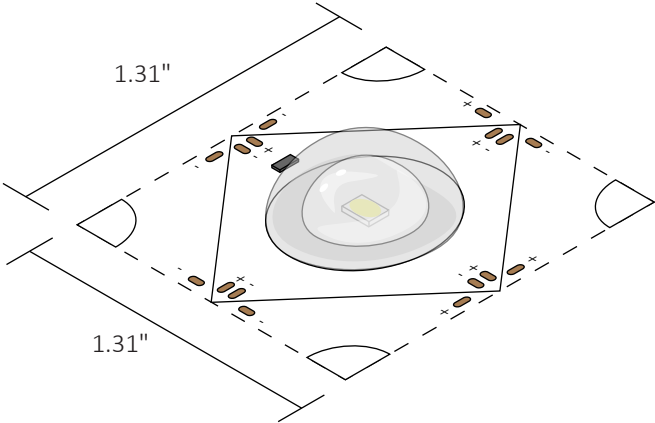
SPECIFICATION SHEET

## MECHANICAL DIAGRAMS

PURALIGHT® Flex Sheet  
Full Sheet



PURALIGHT® Flex Sheet  
Individual Square



# PURALIGHT® Flex Sheet

SPECIFICATION SHEET

## COMPATIBLE PRODUCTS

### LED DRIVERS (Required)

The following Listed LED Drivers are recommended for compatibility and to meet NEC code when installed according to specifications. For additional LED Driver options see Diode LED's product page at: <https://www.diodeled.com/products/led-power-supplies.html>

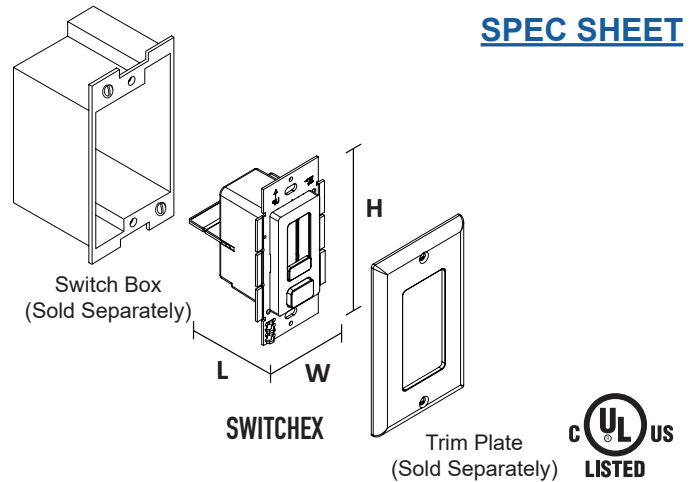
## SWITCHEX® DRIVER + DIMMER SWITCH

SWITCHEX combines an LED driver and LED dimmer switch into a single integrated unit. Fits into standard switch boxes.

DI	Voltage Output 12V	SE	Power Output 40W
			40W - 40 Watts 60W - 60 Watts

SKU	L - LENGTH	W - WIDTH	H - HEIGHT
DI-12V-SE-40W			
DI-12V-SE-60W			

Fits in Standard Switch Box

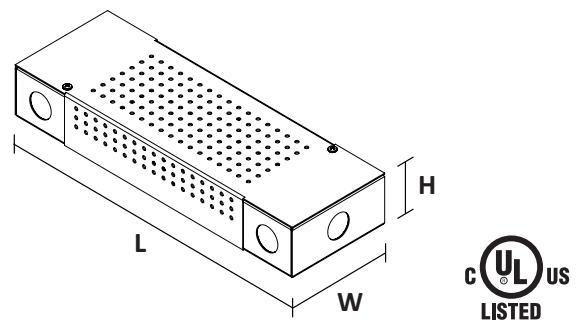


## LO-PRO® JUNCTION BOX & DRIVER COMBO - 12V CONSTANT VOLTAGE LED DRIVER

Use Constant Voltage Drivers to power your low voltage tape light. Compatible with Standard 120VAC On/Off Switches, REIGN® 12-24V Low Voltage Dimmers, TOUCHDIAL™ Control System, DMX Decoders, and PWM Controls.

DI	Voltage & Power Output 0904	LPS
	0904 - 12V 20W	LPS - Lo-Pro Small
	0918 - 12V 35W	
	0906 - 12V 60W	

SKU	L - LENGTH	W - WIDTH	H - HEIGHT
DI-0904-LPS			
DI-0918-LPS	11.25 in.	3.75 in.	1.90 in.
DI-0906-LPS			



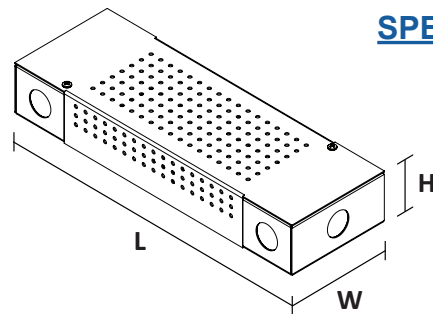
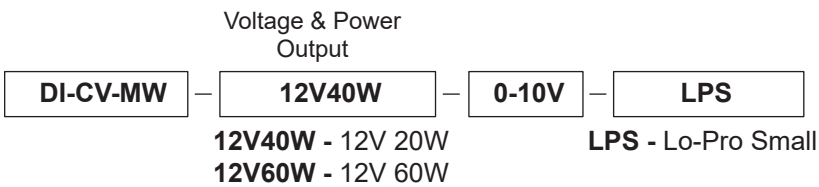
## COMPATIBLE PRODUCTS

### LED DRIVERS Cont. (Required)

The following Listed LED Drivers are recommended for compatibility and to meet NEC code when installed according to specifications. For additional LED Driver options see Diode LED's product page at: <https://www.diodeled.com/products/led-power-supplies.html>

## LO-PRO® JUNCTION BOX & DRIVER COMBO - 12V COMMERCIAL GRADE 0-10V LED DIMMABLE DRIVER

Compatible with 0-10V controls and dimmer systems.

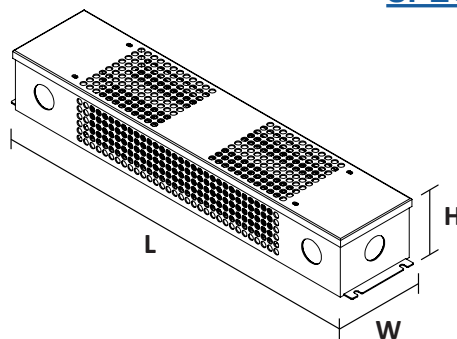
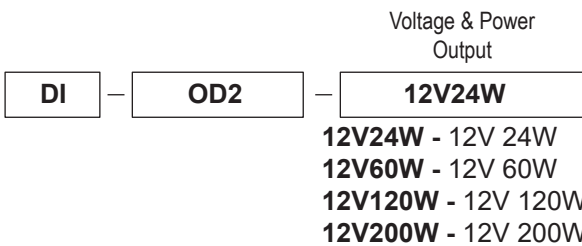


[SPEC SHEET](#)

SKU	L - LENGTH	W - WIDTH	H - HEIGHT
DI-CV-MW-12V40W-0-10V-LPS	11.25 in.	3.75 in.	1.90 in.
DI-CV-MW-12V60W-0-10V-LPS			

## OMNIDRIVE® 2 ELECTRONIC DIMMABLE LED DRIVER

OMNIDRIVE 2 features a zero minimum load and 100-5% dimming range. Compatible with Forward Phase and Reverse Phase Dimmers.



[SPEC SHEET](#)

SKU	L - LENGTH	W - WIDTH	H - HEIGHT
DI-OD2-12V24W	13.75 in.	3.00 in.	1.60 in.
DI-OD2-12V60W	13.75 in.	3.00 in.	1.60 in.
DI-OD2-12V120W	15.00 in.	3.10 in.	2.40 in.
DI-OD2-12V200W	16.10 in.	3.40 in.	2.40 in.

## COMPATIBLE PRODUCTS

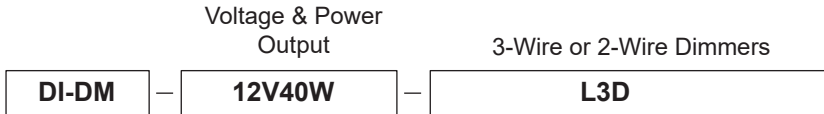
### LED DRIVERS Cont. (Required)

The following Listed LED Drivers are recommended for compatibility and to meet NEC code when installed according to specifications. For additional LED Driver options see Diode LED's product page at: <https://www.diodeled.com/products/led-power-supplies.html>

### **LUTRON** Hi-lume 1% LED DIMMABLE DRIVER

Hi-Lume 1% LED driver has a minimum load of 5W and Dims from 100-1%.

[L3D SPEC SHEET](#)  
[LTE SPEC SHEET](#)

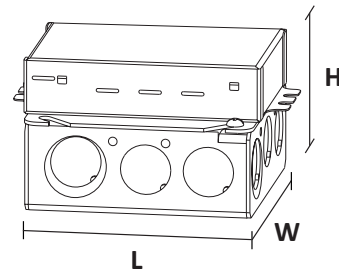


Voltage & Power Output  
**12V40W**  
12V40W - 12V 40W

3-Wire or 2-Wire Dimmers

**L3D**

**L3D** - Lutron Hi-lume 1% EcoSystem /3-WireVoltage LED Driver  
**LTE** - Lutron Hi-lume 1% 2-Wire LED Driver (120V Forward Phase Only)

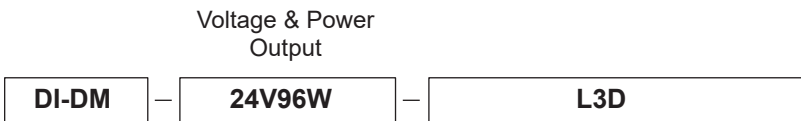


SKU	L - LENGTH	W - WIDTH	H - HEIGHT
DI-DM-12V40W-L3D	4.89 in.	4.00 in.	2.62 in.
DDI-DM-12V40W-LTE			

### **LUTRON** Hi-lume Premier 0.1% LED DIMMABLE DRIVER

Hi-Lume Premier 0.1% LED driver has a minimum load of 5W and Dims from 100-0.1%.

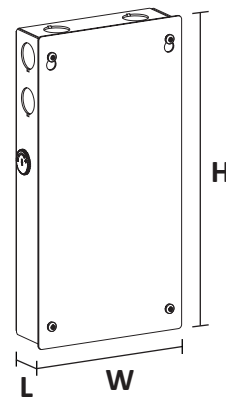
[SPEC SHEET](#)



Voltage & Power Output  
**24V96W**  
12V40W - 12V 40W

**L3D**

**L3D** - Lutron Hi-lume Premier 0.1% EcoSystem/3-Wire LED Driver



SKU	L - LENGTH	W - WIDTH	H - HEIGHT
DI-DM-24V96W-L3D	5.50 in.	2.20 in.	10.50 in.

## COMPATIBLE PRODUCTS

### LED DRIVERS Cont. (Required)

The following Listed LED Drivers are recommended for compatibility and to meet NEC code when installed according to specifications. For additional LED Driver options see Diode LED's product page at: <https://www.diodeled.com/products/led-power-supplies.html>

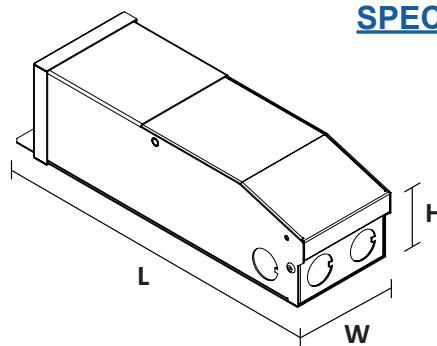
## 12VDC MAGNETIC DIMMABLE DRIVERS

Compatible with 120VAC MLV (Magnetic Low Voltage) Dimmer Switches

Voltage & Power  
Output

DI	0920
----	------

SKU	WATTAGE	L - LENGTH	W - WIDTH	H - HEIGHT
DI-0920	20W	5.60 in.	2.00 in.	2.14 in.
DI-DM-12V40W	40W	5.60 in.	2.00 in.	2.14 in.
DI-0922	60W	6.55 in.	2.25 in.	2.55 in.
DI-0925	100W	9.80 in.	3.00 in.	3.00 in.
DI-DM-12V120W-MT	120W (2x 60W Taps)	9.80 in.	4.20 in.	3.20 in.
DI-DM-12V180W-MT	180W (3x 60W Taps)	9.80 in.	4.20 in.	3.20 in.
DI-0923	200W	9.80 in.	3.00 in.	3.00 in.
DI-DM-12V300W-MT	300W (5x 60W Taps)	9.80 in.	4.20 in.	3.20 in.



[SPEC SHEET](#)



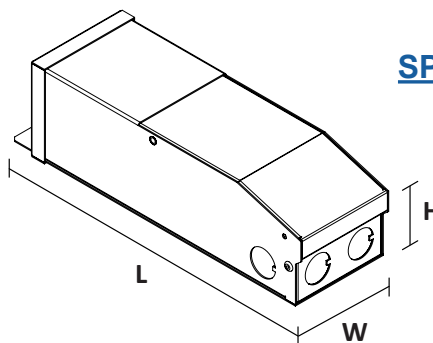
## 12VDC MAGNETIC DIMMABLE DRIVERS (277VAC INPUT)

Compatible with 277VAC MLV (Magnetic Low Voltage) Dimmer Switches

Voltage & Power  
Output

DI	DM-12V20W-277
----	---------------

SKU	WATTAGE	L - LENGTH	W - WIDTH	H - HEIGHT
DI-DM-12V20W-277	20W	5.60 in.	2.00 in.	2.14 in.
DI-DM-12V60W-277	60W	6.55 in.	2.25 in.	2.55 in.
DI-DM-12V100W-277	100W	9.80 in.	3.00 in.	3.00 in.
DI-DM-12V200W-277	200W	9.80 in.	4.20 in.	3.50 in.
DI-DM-12V300W-MT	300W	9.80 in.	4.20 in.	3.50 in.



[SPEC SHEET](#)



## ADDITIONAL INFORMATION

- PURALIGHT® Flex Sheet Installation Guide

## SAFETY / WARNINGS / DISCLOSURES

1. Install in accordance with national and local electrical code regulations.
2. This product is intended to be installed and serviced by a qualified, licensed electrician.
3. Only install with a listed Class 2 DC Constant Voltage LED Driver.
4. Not for use in or on walls of pools, fountains, or other partially or fully submersed locations.
5. Do not modify or disassemble product beyond instructions or this warranty will be void.
6. Actual color may vary from what is pictured above and on other print materials due to the limitations of photographic processes.
7. We reserve the right to modify and improve the design of our fixtures without prior notice. We cannot guarantee to match existing installed fixtures for subsequent orders or replacements in regards to product appearance, CCT, or lumen output.

## WARRANTY

### Limited Warranty

This product has a five (5) year limited warranty from the date of shipment. This warranty does not include the additional accessories referenced in this specification sheet. Complete warranty details for fixtures and additional accessories are available at [www.diodeled.com/limited-warranty/](http://www.diodeled.com/limited-warranty/) within the Policies section. For warranty related questions please contact product support.

### Consumer's Acknowledgment

Elemental LED, Inc. stands behind its products when they are used properly and according to our specifications. By purchasing our products, the purchaser agrees and acknowledges that lighting design, configuration and installation is a complex process, wherein seemingly minor factors or changes in layout and infield adjustments can have a significant impact on an entire system. Choosing the correct components is essential. Elemental LED is able to work with the original purchaser to make an appropriate product selection to the extent of the limited information that the customer can provide, but it is virtually impossible for Elemental LED to design a system that foresees every unknown factor. For this reason, this Warranty does not cover problems caused by improper design, configuration or installation issues. Any statement from an Elemental LED employee or agent regarding a customer's bill of goods and/or purchase order is NOT an acknowledgment that the products purchased are designed and configured correctly. The purchaser agrees and acknowledges that it is the customer's responsibility to adhere strictly to all information contained in the Product Specification Sheets.

There is often more than one way to design, configure and layout an LED lighting application properly to achieve the same lighting effect. Elemental LED strongly recommends that licensed professionals be used in the design and installation of lighting systems that include Elemental LED products. The specifications include important information that a designer and installer should carefully review and strictly follow. Qualified designers and certified and/or licensed installers, with access to the final installation environment, customer goals, and Elemental LED product specifications can make the requisite decisions appropriate for a successful finished lighting application.

