

TRIAN™ 2 LED PUCK LIGHT

READ ALL INSTRUCTIONS PRIOR TO INSTALLATION

QUICK SPECS

Input Voltage	12VDC OR 24VDC Constant Voltage
Power Consumption	3.3W
Ambient Temperature †	-4°F ~ 122°F (-20°C ~ 50°C)
Environment	Dry / Indoor
Included Models	DI-1224V-TRNT2-**-**

† Do not install in environment outside listed ambient temp.



DO NOT CONNECT TO 120VAC POWER!
NE PAS BRANCHER SUR DU 120V COURANT ALTERNATIF!

SAFETY / WARNINGS / ATTENTION!

- Install in accordance with the NEC and local regulations.
- This product is intended to be installed and serviced by a qualified, licensed electrician.
- This product must be powered with a compatible Class 2 12VDC or 24VDC LED drivers.
- Suitable for recess mounting only inside a cabinet.
- Attached wire leads, connectors and accessories are not rated for in-wall installation unless otherwise noted.
- Do not install in wet locations or environments with excess moisture.

- L'installation doit être conforme aux regulations locales ainsi qu'au code NEC.
- Ce produit est conçu pour être installé par un électricien qualifié et certifié
- Ce produit doit être branché sur une source compatible avec un pilote ("driver") LED 12V/24V courant continu de Classe 2.
- les cables, connecteurs et accessoires ne sont pas conçus pour une installation dans les murs (sauf contre indication)
- Les cables, connecteurs et accessoires ne sont pas conçus pour une installation dans les murs (sauf contre indication)
- Ne pas installer dans un endroit ou un environnement trop humide.

SURFACE MOUNTING (Fig. 1)

1. Pop puck off mounting ring.
2. Route cord through ring and set in notch.
3. Mount ring to surface with 2x screws (included) and Phillips head screwdriver (not included).
4. Gently pull cord slack and pop puck back into ring.

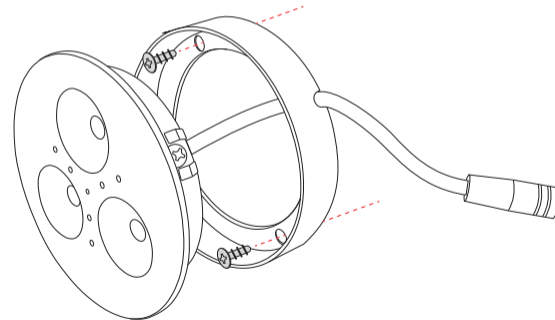


Fig. 1

RECESSED MOUNTING (Fig. 2 & 3)

1. Drill a hole through cabinet or shelf with a 2.5 in. hole saw and drill (Fig. 2).
2. Pop puck off mounting ring.
3. Route puck cord through pre-drilled hole (Fig. 3).
4. Pop puck into hole and push firmly into place (Fig. 3).

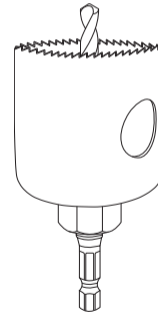


Fig. 2

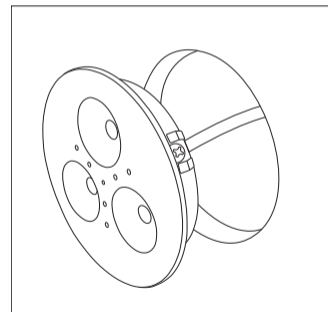
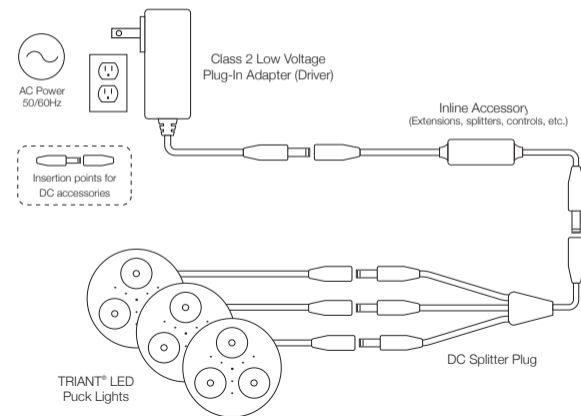


Fig. 3

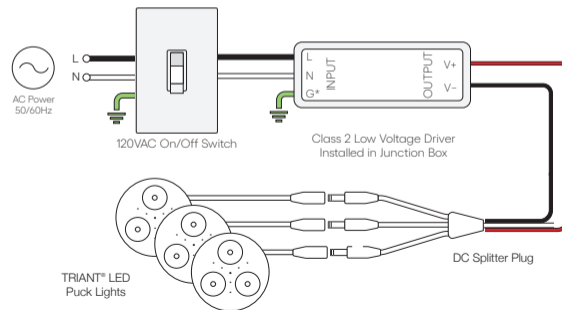
PLUG-IN ADAPTER INSTALLATION

1. Attach puck(s) to inline DC accessories.
2. Attach system to plug-in adapter.
3. Plug adapter into 120VAC electrical receptacle.



ON/OFF DRIVER INSTALLATION

1. Turn power OFF at circuit breaker.
2. Attach male adapter splice cable to puck light / accessory.
3. Hard-wire to driver. Refer to driver install guide for more thorough installation instructions.



TROUBLESHOOTING

- **Fixture does not illuminate:** Check that polarity at all connection points are secure and not reversed.
- **Fixture is flickering:** Ensure a compatible system is installed. Refer to the power supply compatibility list when installing dimming controls. Ensure all connections are properly secured.
- **Fixture is overheating:** Ensure fixture is installed in a well-ventilated area.
- **Fixture turns ON/OFF continuously:** Ensure driver is not overloaded.

QUESTIONS?



Toll Free 877.817.6028
info@DiodeLED.com
www.DiodeLED.com