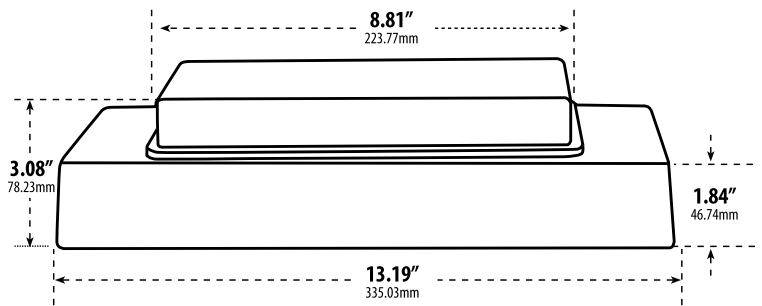
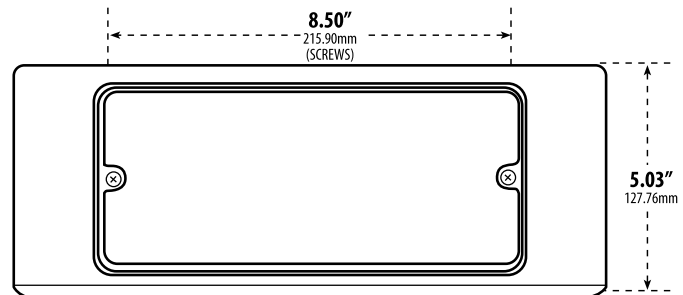


W9301

SURFACE MOUNTED ADDRESS WALL FIXTURE



- **Material:** Powder Coated Cast Aluminum
- **Lens:** Clear, Prismatic, Heat Resistant, Polycarbonate Lens
- **Available Finish:** Black, White, Verde Green
- **ETL Approved**

| MODEL NUMBER | LAMP TYPE | ILLUMINANT TYPE | WATTS (W) | VOLTS (V) | LAMP(S) INCLUDED? |
|--------------|-----------|-----------------|-----------|-----------|-------------------|
| W9301 | PL13 | Fluorescent | 13 | 120 | YES |
| W9301-LED5 | PL-LED | LED | 5 | 85-265 | YES |
| W9301-LED12 | 2-PIN LED | 100 LEDs | 12 | 120-277 | YES |
| W9302 | S13-GU24 | Fluorescent | 13 | 120 | YES |
| W9304 | 2 x PL13 | Fluorescent | 26 | 120 | YES |

Replacement Prismatic Lens: P-LENS-9300 (sold separately)

LED Available in Warm or Cool White

Overall Dimensions:
5.03"W x 13.19"H x 3.08"D

Maximum Height: 13.19"
Width: 5.03"
Maximum Depth: 3.08"

Weight: 3.0 lbs
Approximate Wire Length: 7.00"
Box Dimensions: 5.54"W x 13.75"H x 3.64"D

Fixture included number labels.



DABMAR
LIGHTING

DABMAR LIGHTING INCORPORATED

320 Graves Ave . Oxnard, CA 93030 . 805.604.9090 . f: 805.604.9050 . www.dabmar.com
4693 19th Street Ct E . Bradenton, FL 34203