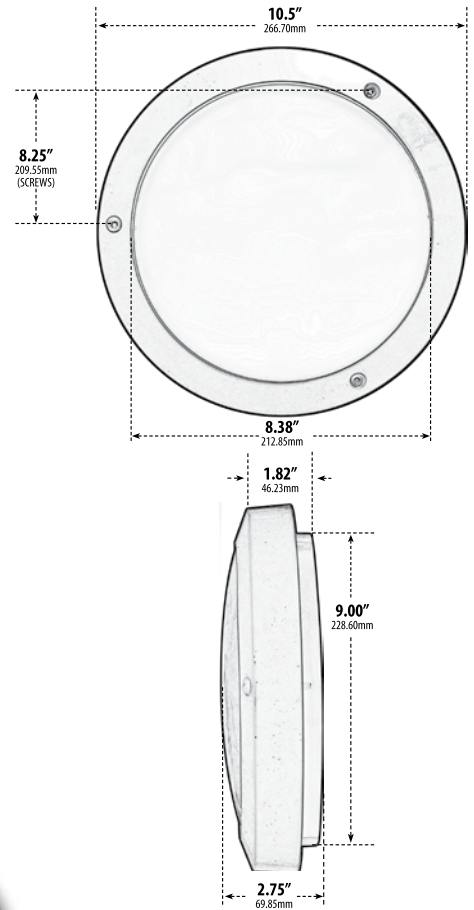


W3900

SURFACE MOUNTED WALL FIXTURE



- ▶ **Material:** Powder Coated Cast Aluminum
- ▶ **Lens:** White, Heat Resistant, Acrylic Lens
- ▶ **Available Finish:** Black, Gray, White, Verde Green, Electroplated Stainless Steel
- ▶ **ETL Approved**

MODEL NUMBER	LAMP TYPE	ILLUMINANT TYPE	WATTS (W)	VOLTS (V)	LAMP(S) INCLUDED?
W3900	A-Type	Incandescent	60	120	NO
W3900-LED9	G2U4-LED	LED	9	120	YES
W3900-LED12	G24-LED	LED	12	120-277	YES
W3985	S13-GU24	Fluorescent	13	120	YES

Replacement White Lens: P-LENS-3700 (sold separately)

LED Available in Warm or Cool White

Overall Dimensions:

10.50"W x 10.50"H x 2.75"D

Maximum Height: 10.50"

Width: 10.50"

Maximum Depth: 2.75"

Weight: 2.4 lbs

Approximate Wire Length: 11.00"

Box Dimensions: 10.75"W x 10.75"H x 3.00"D

DABMAR
LIGHTING

DABMAR LIGHTING INCORPORATED

320 Graves Ave . Oxnard, CA 93030 . 805.604.9090 . f: 805.604.9050 . www.dabmar.com
4693 19th Street Ct E . Bradenton, FL 34203