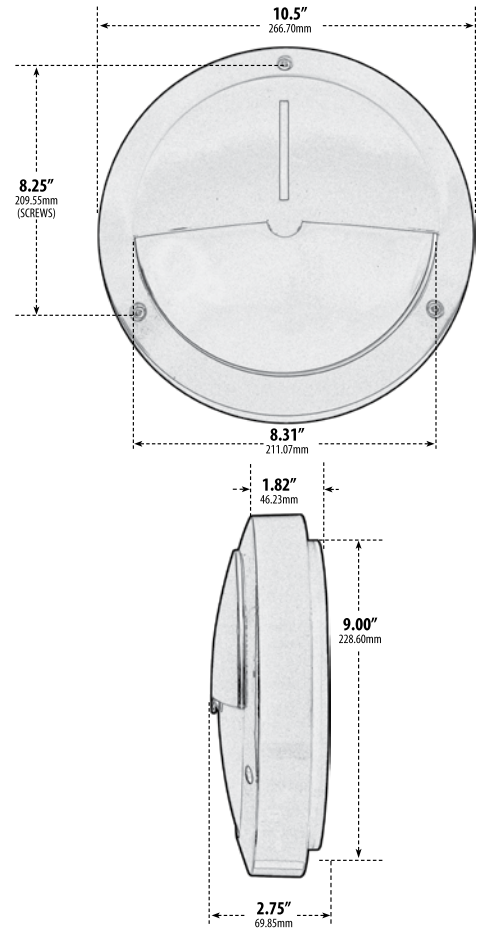


W3800

SURFACE MOUNTED WALL FIXTURE



- **Material:** Powder Coated Cast Aluminum
- **Lens:** White, Heat Resistant, Acrylic Lens
- **Available Finish:** Black, Gray, White, Verde Green, Electroplated Stainless Steel
- **ETL Approved**

MODEL NUMBER	LAMP TYPE	ILLUMINANT TYPE	WATTS (W)	VOLTS (V)	LAMP(S) INCLUDED?
W3800	A-Type	Incandescent	60	120	NO
W3800-LED9	GU24-LED	LED	9	120	YES
W3800-LED12	G24-LED	LED	12	120-277	YES
W3855	S13-GU24	Fluorescent	13	120	YES

Replacement White Lens: P-LENS-3800 (sold separately)

LED Available in Warm or Cool White

Overall Dimensions:
10.50"W x 10.50"H x 2.75"D

Maximum Height: 10.50"
Width: 10.50"
Maximum Depth: 2.75"

Weight: 2.2 lbs
Approximate Wire Length: 8.50"
Box Dimensions: 10.75"W x 10.75"H x 3.00"D

DABMAR
LIGHTING

DABMAR LIGHTING INCORPORATED

320 Graves Ave . Oxnard, CA 93030 . 805.604.9090 . f: 805.604.9050 . www.dabmar.com
4693 19th Street Ct E . Bradenton, FL 34203