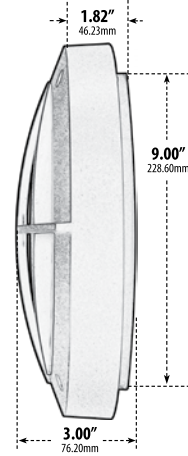
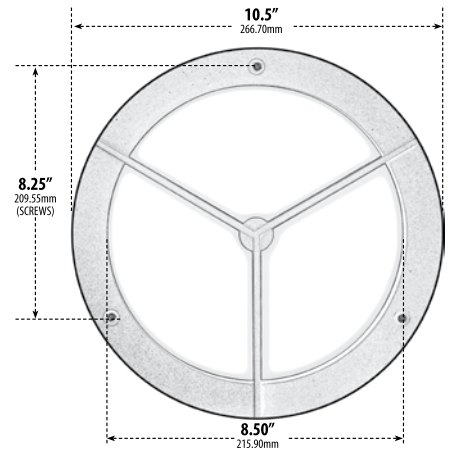


# W3700

## SURFACE MOUNTED WALL FIXTURE



- **Material:** Powder Coated Cast Aluminum
- **Lens:** White, Heat Resistant, Acrylic Lens
- **Available Finish:** Black, White, Verde Green
- **ETL Approved**

MODEL NUMBER	LAMP TYPE	ILLUMINANT TYPE	WATTS (W)	VOLTS (V)	LAMP(S) INCLUDED?
W3700	A-Type	Incandescent	60	120	NO
W3700-LED9	GU24-LED	LED	9	120	YES
W3700-LED12	G24-LED	LED	12	120-277	YES
W3735	S13-GU24	Fluorescent	13	120	YES

Replacement White Lens: P-LENS-3700 (sold separately)

LED Available in Warm or Cool White

Overall Dimensions:

10.50"W x 10.50"H x 3.00"D

Maximum Height: 10.50"

Width: 10.50"

Maximum Depth: 3.00"

Weight: 1.6 lbs

Approximate Wire Length: 16.00"

Box Dimensions: 10.63"W x 10.63"H x 2.94"D

**DABMAR**  
LIGHTING

DABMAR LIGHTING INCORPORATED

320 Graves Ave . Oxnard, CA 93030 . 805.604.9090 . f: 805.604.9050 . www.dabmar.com  
4693 19th Street Ct E . Bradenton, FL 34203