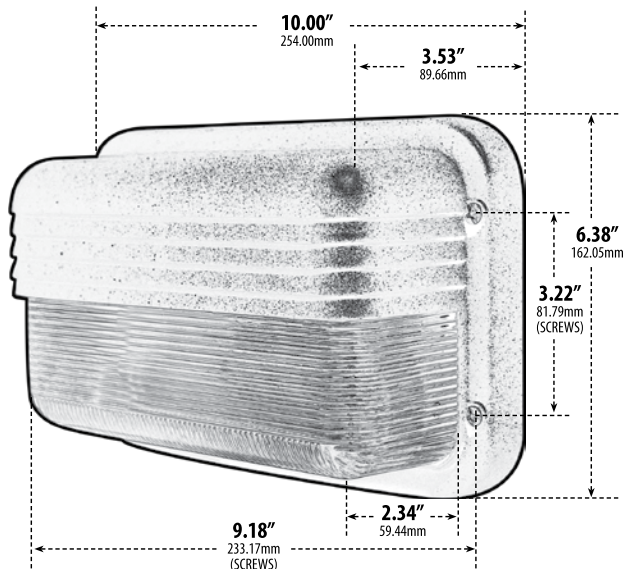


# W2900

## SURFACE MOUNTED WALL FIXTURE



- ▶ **Material:** Powder Coated Cast Aluminum
- ▶ **Lens:** Clear, Ribbed, Heat Resistant, Polycarbonate Lens
- ▶ **Available Finish:** Black, White, Verde Green
- ▶ **ETL Approved**

MODEL NUMBER	LAMP TYPE	ILLUMINANT TYPE	WATTS (W)	VOLTS (V)	LAMP(S) INCLUDED?
W2900	PL7	Fluorescent	7	120	YES
W2909	PLQ9	Fluorescent	9	120	YES
W2913	PLQ13	Fluorescent	13	120	YES
W2915	A-Type	Incandescent	60	120	NO
W2915-LED9	G24-LED	LED	9	85-265	YES
W2915-LED12	G24-LED	LED	12	120-277	YES
W2916	S13-GU24	Fluorescent	13	120	YES

Replacement Ribbed Lens: P-LENS-2900 (sold separately)

LED Available in Warm or Cool White

Overall Dimensions:  
10.00"W x 6.38"H x 3.53"D

Maximum Height: 6.38"  
Width: 10.00"  
Maximum Depth: 3.53"

Weight: 1.4 lbs  
Approximate Wire Length: 15"  
Box Dimensions: 6.5"W x 10.00"H x 3.69"D

**DABMAR**  
LIGHTING

DABMAR LIGHTING INCORPORATED

320 Graves Ave . Oxnard, CA 93030 . 805.604.9090 . f: 805.604.9050 . www.dabmar.com  
4693 19th Street Ct E . Bradenton, FL 34203