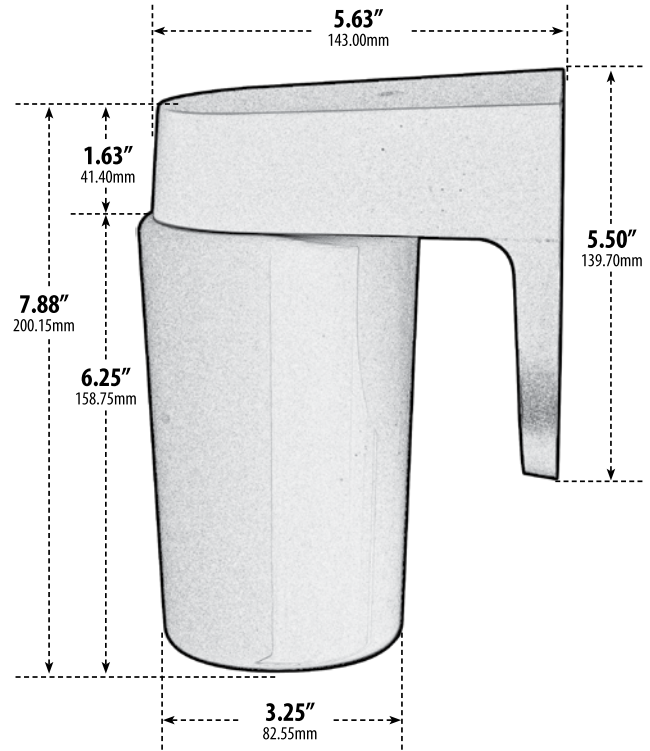


W2251

SURFACE MOUNTED WALL FIXTURE



- ▶ **Material:** Polycarbonate
- ▶ **Lens:** White, Heat Resistant, Polycarbonate Jar
- ▶ **Available Finish:** Black, White
- ▶ **ETL Approved**

Overall Dimensions:
3.25"W x 7.88"H x 5.63"D

Maximum Height: 7.88"
Width: 3.25"
Maximum Depth: 5.63"

Weight: 0.8 lbs
Approximate Wire Length: 8.38"
Box Dimensions: 6.38"W x 8.25"H x 4.50"D

MODEL NUMBER	LAMP TYPE	ILLUMINANT TYPE	WATTS (W)	VOLTS (V)	LAMP(S) INCLUDED?
W2251	A-Type	Incandescent	60	120	NO
W2251-LED9	G24-LED	LED	9	85-265	YES
W2251-LED12	G24-LED	LED	12	120-277	YES
W2252	PL5	Fluorescent	5	120	YES
W2253	PL7	Fluorescent	7	120	YES
W2254	PLQ9	Fluorescent	9	120	YES
W2255	PLQ13	Fluorescent	13	120	YES
W2256	S13-GU24	Fluorescent	13	120	YES

Replacement White Jar: P-GLB-508 (sold separately)

Photo Control Option Available (sold separately)

LED Available in Warm or Cool White



DABMAR LIGHTING INCORPORATED

320 Graves Ave . Oxnard, CA 93030 . 805.604.9090 . f: 805.604.9050 . www.dabmar.com
4693 19th Street Ct E . Bradenton, FL 34203