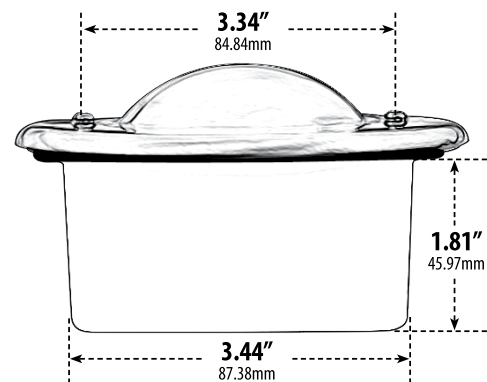
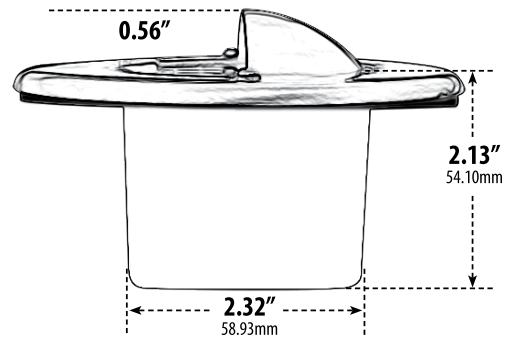
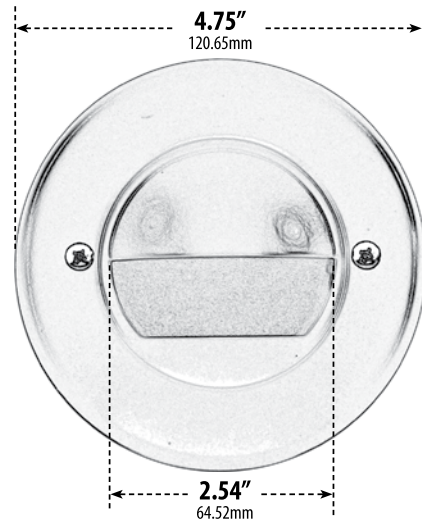


LV702

RECESSED BRICK, STEP AND WALL LIGHT



- ▶ **Faceplate Material:** Powder Coated Aluminum
- ▶ **Lens:** Frosted, Heat Resistant, Tempered Glass
- ▶ **Lamp:** JC Bi-Pin Base (20W Maximum) **LED Available in 30K or 64K**

MODEL NUMBER	LAMP TYPE	ILLUMINANT TYPE	WATTS (W)	VOLTS (V)	LAMP(S) INCLUDED?
LV702	JC	HALOGEN	20	12	YES
LV-LED702	JC-LED	LED	2.5	12	YES
LV-LED702-AMB	JC-LED	LED	3.0	12	YES

- ▶ **Amber Lamp:** Silicone G4 Bi-Pin (Turtle Friendly)
- ▶ **Available Finish:** Black, Bronze, Verde Green, White
- ▶ **Recessed Mount:** (Concrete)
- ▶ **Connector Available:** P-CN01 (sold separately)
- ▶ **Replacement Cover Plate:** P-CVR-LV709 (sold separately)
- ▶ **ETL Approved**

Overall Dimensions:
4.74"H x 4.75"W x 2.69"D

Weight: 0.60 lbs
Approximate Wire Length: 24"
Box Dimensions: 3.13"H x 5.00"W x 5.13"D
Lamp Included

DABMAR
L I G H T I N G

DABMAR LIGHTING INCORPORATED

320 Graves Ave . Oxnard, CA 93030 . 805.604.9090 . f: 805.604.9050 . www.dabmar.com
4693 19th Street Ct E . Bradenton, FL 34203