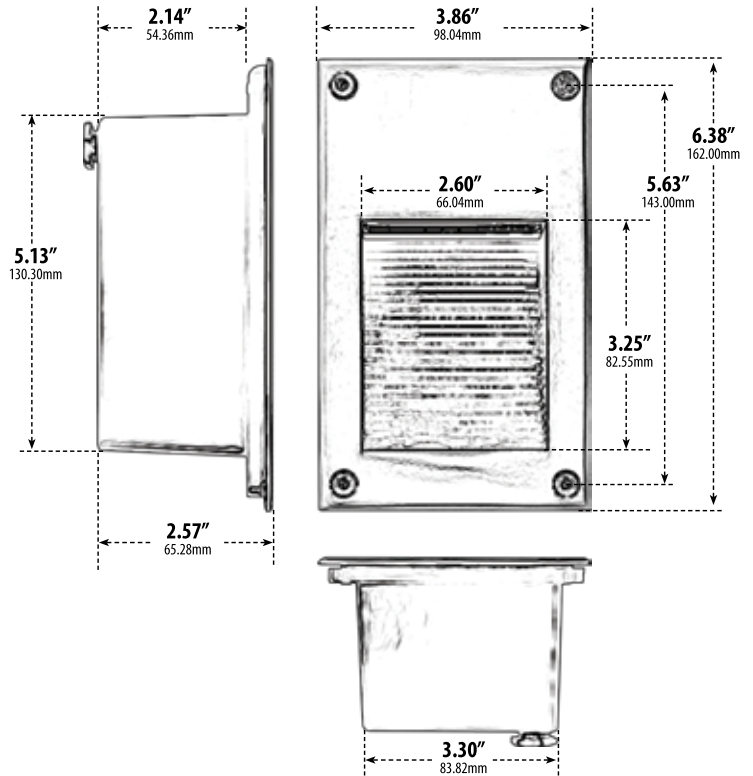


# LV-LED 670

## SURFACE MOUNT BRICK, STEP AND WALL LIGHT



- ▶ **Material:** Powder Coated Cast Aluminum
- ▶ **Lens:** Clear, Heat Resistant, Tempered Glass
- ▶ **Lamp:** Integral LED Circuit Board

MODEL NUMBER	LAMP TYPE	ILLUMINANT TYPE	WATTS (W)	VOLTS (V)	LAMP(S) INCLUDED?
LV-LED670	LED BOARD	12 LEDs	1.5	12	YES

- ▶ **Available Color:** Black, Bronze, White, Verde Green, Electroplated Antique Copper
- ▶ **Recessed Mount:** (Concrete)
- ▶ **Connector Available:** P-CN01 (sold separately)
- ▶ **Replacement Cover Plate:** P-CVR-LV670 (sold separately)
- ▶ **ETL Approved**

Overall Dimensions:  
6.44"H x 3.88"W x 2.56"D

Weight: 1.0 lbs  
Box Dimensions: 3.88"H x 6.44"W x 2.56"D  
Lamp Included

**DABMAR**  
LIGHTING

DABMAR LIGHTING INCORPORATED

320 Graves Ave . Oxnard, CA 93030 . 805.604.9090 . f: 805.604.9050 . www.dabmar.com  
4693 19th Street Ct E . Bradenton, FL 34203