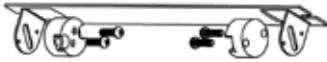
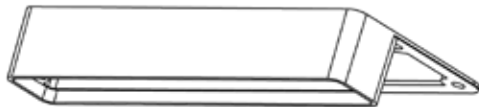
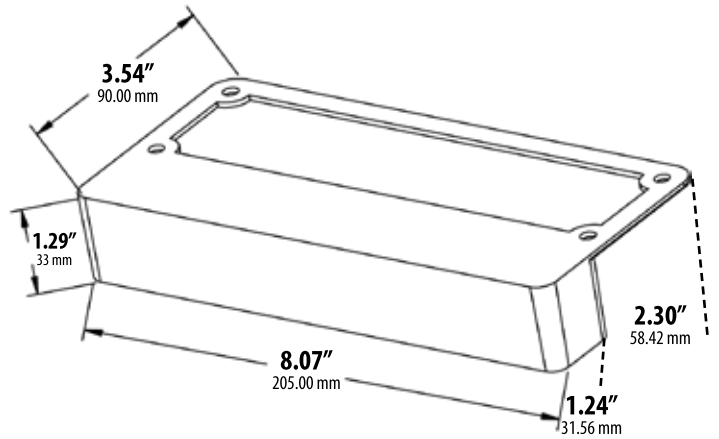


# LV639

## CAST BRASS BRICK STEP LIGHT



- ▶ **Material:** Brass
- ▶ **Lens:** Frosted, Heat Resistant, Tempered Glass
- ▶ **Lamp:** JC Bi-Pin Base (2 x 20W Maximum) **LED Available in 30K or 64K**

MODEL NUMBER	LAMP TYPE	ILLUMINANT TYPE	WATTS (W)	VOLTS (V)	LAMP(S) INCLUDED?
LV639	JC	HALOGEN	2 x 20	12	YES
<b>LV-LED639</b>	<b>JC-LED</b>	<b>LED</b>	<b>2 x 2.5</b>	<b>12</b>	<b>YES</b>
<b>LV-LED639-AMB</b>	<b>JC-LED</b>	<b>LED</b>	<b>2 x 3.0</b>	<b>12</b>	<b>YES</b>

- ▶ **Amber Lamp:** Silicone G4 Bi-Pin (Turtle Friendly)
- ▶ **Available Finish:** Weathered Brass
- ▶ **Recessed Mount:** (Concrete)
- ▶ **Connector Available:** P-CN01 (sold separately)
- ▶ **ETL Approval Pending**



Overall Dimensions:  
1.29" H x 8.07" W x 3.54" D

Weight: 1.6 lbs  
Approximate Wire Length: 38"  
Box Dimensions: 1.88" H x 8.75" W x 3.94" D  
Lamp Included

**DABMAR**  
LIGHTING