

LV618

RECESSED OPEN FACE BRICK, STEP AND WALL LIGHT



LV618-B



LV618-CP



LV618-BZ



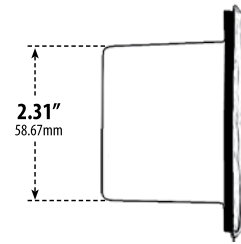
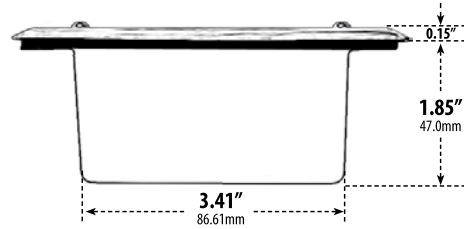
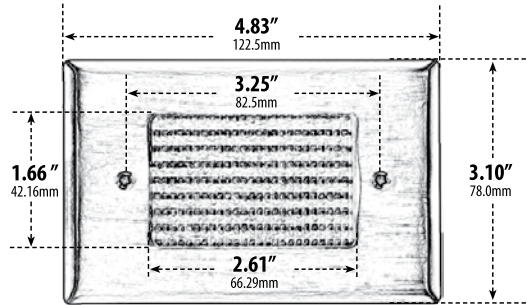
LV618-ABS



LV618-W



LV618-ABZ



- ▶ **Faceplate Material:** See below
- ▶ **Housing Material:** Powder Coated Cast Aluminum
- ▶ **Lens:** Clear, Prismatic, Heat Resistant, Plastic
- ▶ **Lamp:** JC Bi-Pin Base (20W Maximum) **LED Available in 30K or 64K**

MODEL NUMBER	LAMP TYPE	ILLUMINANT TYPE	WATTS (W)	VOLTS (V)	LAMP(S) INCLUDED?
LV618	JC	HALOGEN	20	12	YES
LV-LED618	JC-LED	LED	2.5	12	YES
LV-LED618-AMB	JC-LED	LED	3.0	12	YES

- ▶ **Amber Lamp:** Silicone G4 Bi-Pin (Turtle Friendly)
- ▶ **Available Finish (Aluminum):** Black, Bronze, White, Verde Green
- ▶ **Available Finish (Brass):** Antique Brass, Antique Bronze
- ▶ **Available Finish (Copper):** Copper
- ▶ **Recessed Mount:** (Concrete)
- ▶ **Connector Available:** P-CN01 (sold separately)
- ▶ **Replacement Cover Plate:** P-CVR-LV618 (sold separately)
- ▶ **ETL Approved**

Overall Dimensions: 1.95"H x 4.83"W x 3.10"D

Maximum Height: 1.95"
 Width: 4.83"
 Maximum Depth: 3.10"

Weight: 0.6 lbs
 Approximate Wire Length: 20"
 Box Dimensions: 5.0"W x 2.75"H x 3.125"D



DABMAR LIGHTING INCORPORATED

320 Graves Ave . Oxnard, CA 93030 . 805.604.9090 . f: 805.604.9050 . www.dabmar.com
 4693 19th Street Ct E . Bradenton, FL 34203