

# LV613

## RECESSED LOUVER DOWN BRICK, STEP AND WALL LIGHT



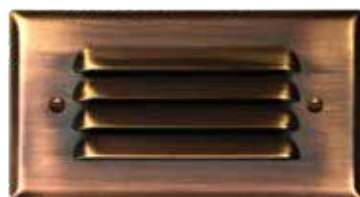
**LV613-B**



**LV613-CP**



**LV613-VG**



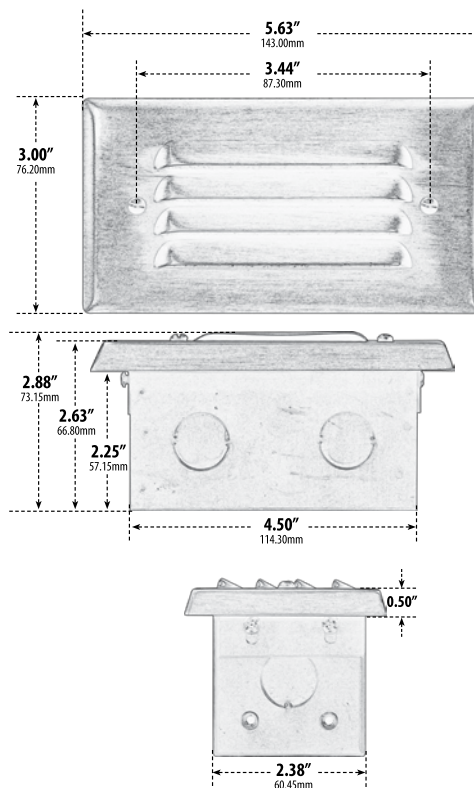
**LV613-ABZ**



**LV613-W**



**LV613-ABS**



Overall Dimensions:  
3.00"H x 5.63"W x 2.88"D

Weight: 0.80 lbs  
Approximate Wire Length: 16"  
Box Dimensions: 3.38"H x 6.00"W x 3.38"D  
Lamp Included

- ▶ **Faceplate Material:** See below
- ▶ **Housing Material:** Brass
- ▶ **Lens:** Frosted, Heat Resistant, Tempered Glass
- ▶ **Lamp:** 93/1156 Bay Base (21W Maximum) **LED Available in 30K or 64K**

MODEL NUMBER	LAMP TYPE	ILLUMINANT TYPE	WATTS (W)	VOLTS (V)	LAMP(S) INCLUDED?
LV613	93/1156	INCANDESCENT	21	12	YES
<b>LV-LED613</b>	<b>BAY-LED</b>	<b>LED</b>	<b>3.2</b>	<b>12</b>	<b>YES</b>

- ▶ **Available Finish (Aluminum):** Black, White, Verde Green
- ▶ **Available Finish (Brass):** Antique Brass, Antique Bronze
- ▶ **Available Finish (Copper):** Copper
- ▶ **Recessed Mount:** (Concrete)
- ▶ **Connector Available:** P-CN01 (sold separately)
- ▶ **Replacement Cover Plate:** P-CVR-LV613 (sold separately)
- ▶ **ETL Approved**



DABMAR LIGHTING INCORPORATED

320 Graves Ave . Oxnard, CA 93030 . 805.604.9090 . f: 805.604.9050 . www.dabmar.com  
4693 19th Street Ct E . Bradenton, FL 34203