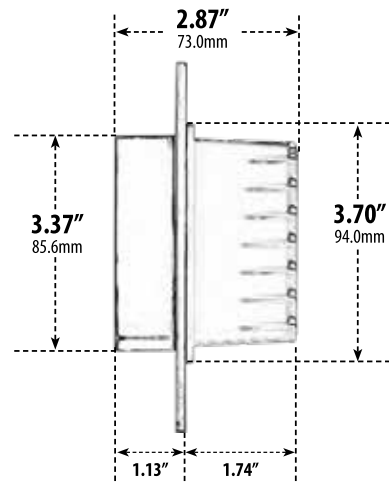
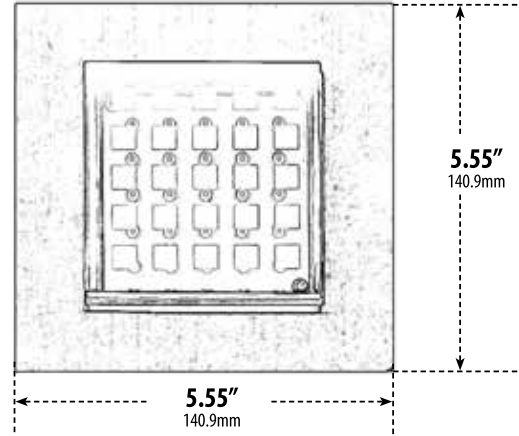


LV-LED60

RECESSED BRICK, STEP AND WALL LIGHT



- ▶ **Material:** Cast Aluminum
- ▶ **Lens:** Crystal Lens
- ▶ **Lamp:** Integral LED Circuit Board

MODEL NUMBER	LAMP TYPE	ILLUMINANT TYPE	WATTS (W)	VOLTS (V)	LAMP(S) INCLUDED?
LV-LED60	LED BOARD	25 LEDs	5	12	YES

Magnetic transformer recommended for LED lamps

- ▶ **Lamp Color:** White, Red, Green, Blue
- ▶ **Available Finish:** Stainless Steel
- ▶ **Recessed Mount:** (Concrete)
- ▶ **Connector Available:** P-CN01 (sold separately)
- ▶ **ETL Approval Pending**

Requires Concrete Pour Box for Installation - P-LED-BOX-60 (sold separately)

Overall Dimensions:
5.55"H x 5.55"W x 2.87"D

Weight: 2.40 lbs

Approximate Wire Length: 18"

Box Dimensions: 6.88"H x 7.0"W x 5.00"D

DABMAR
LIGHTING

DABMAR LIGHTING INCORPORATED

320 Graves Ave . Oxnard, CA 93030 . 805.604.9090 . f: 805.604.9050 . www.dabmar.com
4693 19th Street Ct E . Bradenton, FL 34203