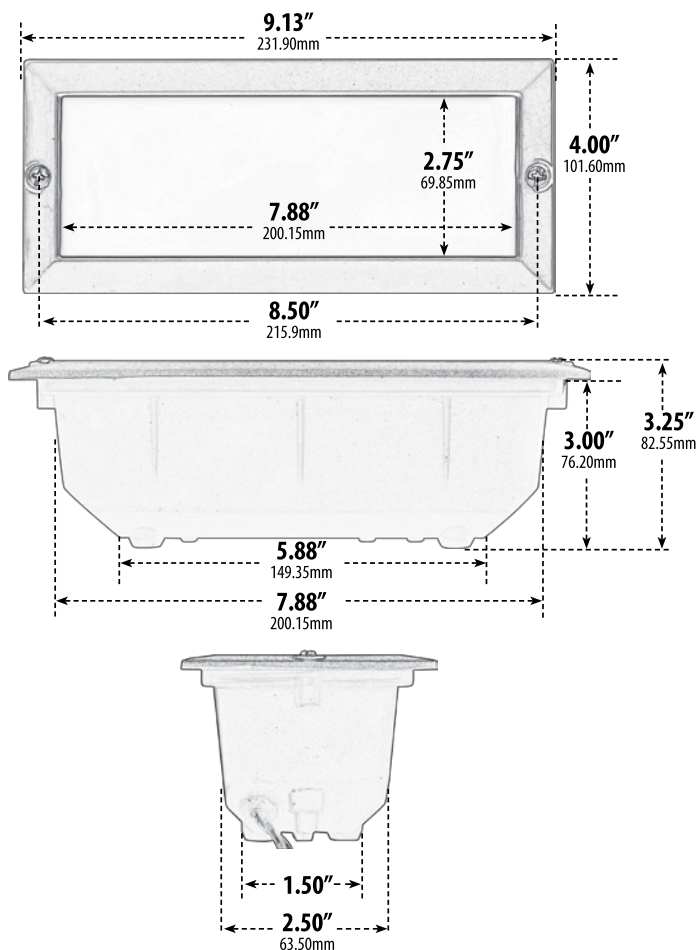


LV602

RECESSED OPEN FACE BRICK, STEP AND WALL LIGHT



- ▶ **Material:** Powder Coated Cast Aluminum
- ▶ **Lens:** White, Heat Resistant, Tempered Glass
- ▶ **Lamp:** JC Bi-Pin Base (2 x 20W Maximum) **LED Available in 30K or 64K**

MODEL NUMBER	LAMP TYPE	ILLUMINANT TYPE	WATTS (W)	VOLTS (V)	LAMP(S) INCLUDED?
LV602	JC	HALOGEN	2 x 20	12	YES
LV-LED602	JC-LED	30 LEDs	2 x 2.5	12	YES
LV-LED602-AMB	JC-LED	48 LEDs	2 x 3.0	12	YES

- ▶ **Amber Lamp:** Silicone G4 Bi-Pin (Turtle Friendly)
- ▶ **Installation Type:** Recessed Wall Mount (Concrete)
- ▶ **Available Color:** Black, White, Bronze, Verde Green, 304 Stainless Steel
- ▶ **Connector Available:** P-CN01 (sold separately)
- ▶ **Replacement Cover Plate:** P-CVR-LV602 (sold separately)
- ▶ **ETL Approved**

Overall Dimensions:
4.00"H x 9.13"W x 3.25"D

Weight: 1.00 lbs
Approximate Wire Length: 70"
Box Dimensions: 3.63"H x 9.50"W x 4.25"D
Lamp Included

DABMAR
LIGHTING

DABMAR LIGHTING INCORPORATED

320 Graves Ave . Oxnard, CA 93030 . 805.604.9090 . f: 805.604.9050 . www.dabmar.com
4693 19th Street Ct E . Bradenton, FL 34203