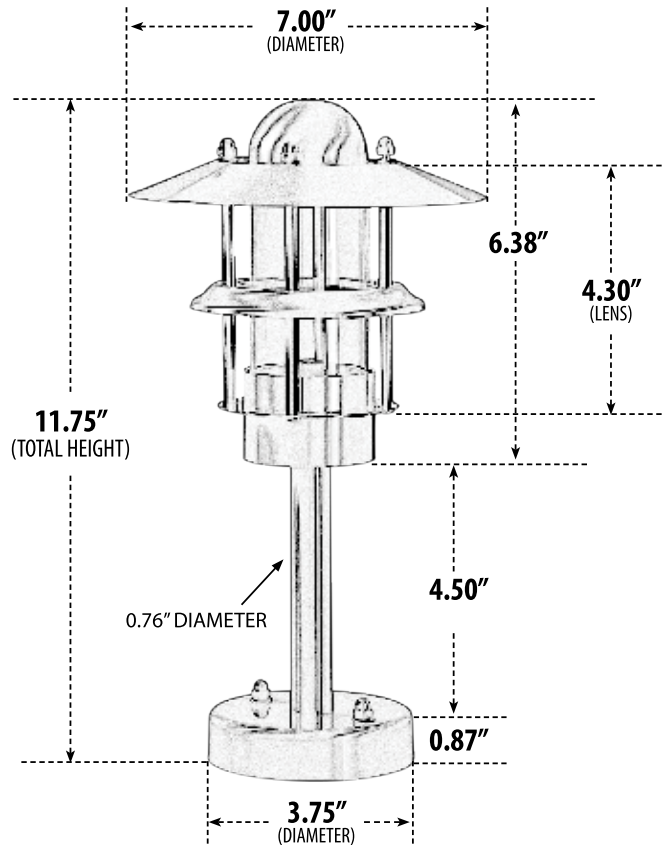


LV39

ACCENT DECK LIGHT



- ▶ **Material:** Stainless Steel
- ▶ **Lens:** Clear, Heat Resistant, Tempered Glass
- ▶ **Lamp:** JC Bi-Pin Base (20W Maximum) Available in 30K or 64K (LED)

MODEL NUMBER	LAMP TYPE	ILLUMINANT TYPE	WATTS (W)	VOLTS (V)	LAMP(S) INCLUDED?
LV39	JC	HALOGEN	20	12	YES
LV-LED39	JC-LED	LED	2.5	12	YES
LV-LED39-AMB	JC-LED	LED	2.5	12	YES

Pre-wired with UL Listed Direct Burial Wire/Cable

- ▶ **Amber Lamp:** Silicone G4 Bi-Pin (Turtle Friendly)
- ▶ **Deck Mount**
- ▶ **Connector Available:** P-CN01 (sold separately)
- ▶ **Available Finish:** Stainless Steel
- ▶ **ETL Approved**

Overall Dimensions:
11.75"H x 7.00"W x 7.00"D

Maximum Height: 11.75"
Width: 7.00"
Maximum Depth: 7.00"

Weight: 1.40 lbs
Approximate Wire Length: 5.0"
Box Dimensions:
12.38"H x 7.00"W x 6.75"D

DABMAR
LIGHTING

DABMAR LIGHTING INCORPORATED

320 Graves Ave . Oxnard, CA 93030 . 805.604.9090 . f: 805.604.9050 . www.dabmar.com
4693 19th Street Ct E . Bradenton, FL 34203