

LV-LED360-SS316-MC

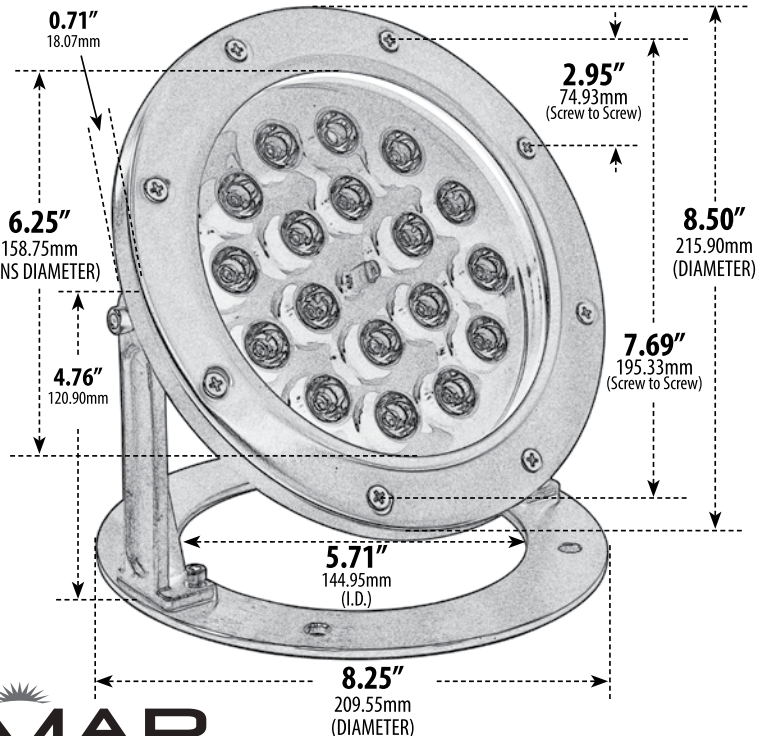
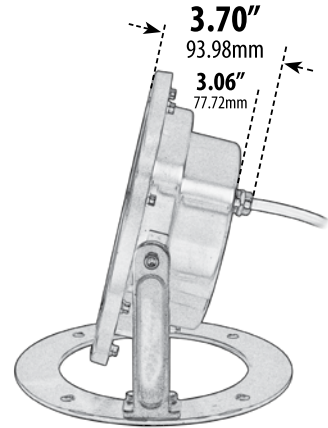
POND AND FOUNTAIN UNDERWATER LIGHT



Overall Dimensions:
9.13"H x 8.50"W x 8.25"D

Maximum Height: 9.13"
Minimum Height: 5.50"
Width: 8.50"
Maximum Depth: 8.50"
Minimum Depth: 8.25"
Head Depth: 3.70"
Base Depth: 8.25"

Weight: 5.4 lbs
Approximate Wire Length: 252"
Box Dimensions: 8.75"W x 9.25"H x 6.25"D



- ▶ **Material:** Marine Grade 316 Stainless Steel
- ▶ **Lens:** Clear, Heat Resistant, Tempered Glass
- ▶ **Lamp:** Integral LED Circuit Board, Multi-Color w/Controller

MODEL NUMBER	LAMP TYPE	ILLUMINANT TYPE	WATTS (W)	VOLTS (V)	LAMP(S) INCLUDED?
LV-LED360-SS316-MC	INTEGRAL LED	18 RGB LEDs	18	12	YES

- ▶ **Available Finish:** Stainless Steel
- ▶ **Pre-Wired with UL Listed 21' 16/3 Underwater Cable**
- ▶ **Adjustable Bracket**
- ▶ **Lumens:** 1440lm (White Only)
- ▶ **Color Temperature:** 64K (White Only)
- ▶ **Transformer:** LVT300-SUB/SS Transformer (required) Sold Separately
- ▶ **ETL Approval Pending**

DABMAR
LIGHTING

DABMAR LIGHTING INCORPORATED

320 Graves Ave . Oxnard, CA 93030 . 805.604.9090 . f: 805.604.9050 . www.dabmar.com
4693 19th Street Ct E . Bradenton, FL 34203