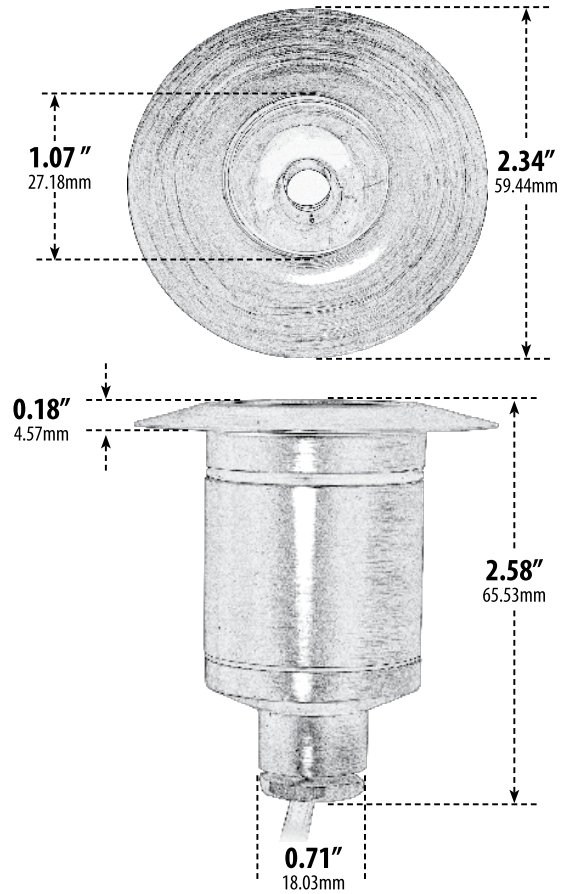


LV-LED129-SS

IN-GROUND WELL LIGHT



SLEEVE

Overall Dimensions:
2.58"H x 2.34"W x 2.34"D

Weight: 0.40 lbs
Approximate Wire Length: 17.5"
Box Dimensions:
3.25"H x 2.50"W x 2.50"D

- ▶ **Material:** Brass with PVC Sleeve
- ▶ **Lens:** Clear, Heat Resistant, Tempered Glass
- ▶ **Lamp:** LED Chip - 2700K

MODEL NUMBER	LAMP TYPE	ILLUMINANT TYPE	WATTS (W)	VOLTS (V)	LAMP(S) INCLUDED?
LV-LED129-SS	INTEGRAL LED	LED CHIP	1	12	YES

Pre-wired with UL Listed Direct Burial Wire/Cable
Low Voltage Transformer Required for Installation (Item Sold Separately)

- ▶ **Available Finish:** Matte Stainless Steel
- ▶ **ETL Approval Pending**

DABMAR
LIGHTING

DABMAR LIGHTING INCORPORATED

320 Graves Ave . Oxnard, CA 93030 . 805.604.9090 . f: 805.604.9050 . www.dabmar.com
4693 19th Street Ct E . Bradenton, FL 34203