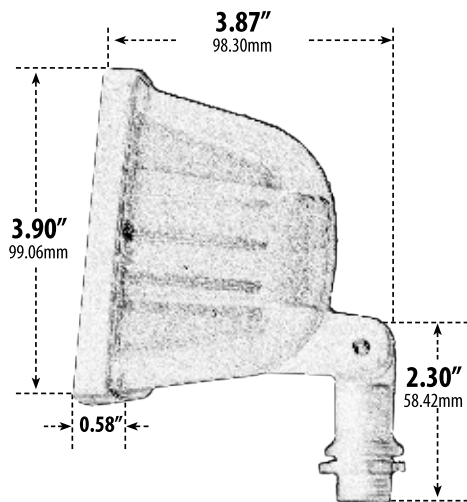
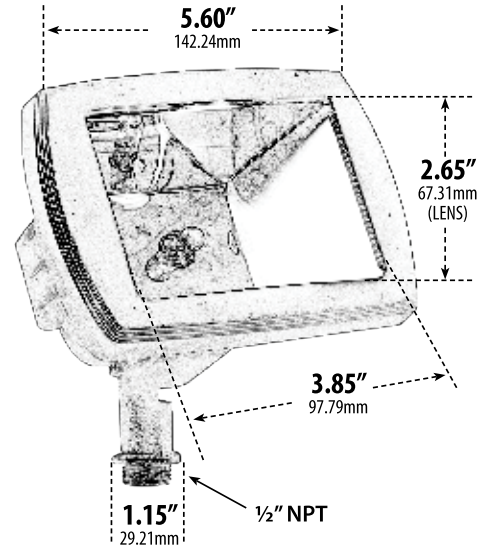


LV105

AREA FLOOD LIGHT



- ▶ **Material:** Powder Coated Cast Aluminum
- ▶ **Lens:** Clear, Heat Resistant, Tempered Glass
- ▶ **Lamp:** JC Bi-Pin Base (50W Maximum) Available in 30K or 64K (LED)

MODEL NUMBER	LAMP TYPE	ILLUMINANT TYPE	WATTS (W)	VOLTS (V)	LAMP(S) INCLUDED?
LV105	JC	HALOGEN	20	12	YES
LV-LED105	JC-LED	LED	4.0	12	YES
LV-LED105-AMB	JC-LED	LED	3.0	12	YES

Pre-wired with UL Listed Direct Burial Wire/Cable

- ▶ **Amber Lamp:** Silicone G4 Bi-Pin (Turtle Friendly)
- ▶ **Adjustable Knuckle with 1/2" NPT**
- ▶ **Ground Spike Included for Installation**
- ▶ **Connector Available:** P-CN01 (sold separately)
- ▶ **Available Finish:** Black, White, Green, Verde Green
- ▶ **ETL Approved**

Overall Dimensions: 6.25"H x 5.60"W x 4.00"D
 Maximum Height: 6.50"
 Minimum Height: 5.25"
 Width: 5.60"
 Maximum Depth: 4.25"
 Minimum Depth: 3.75"

Weight: 0.80 lbs
 Approximate Wire Length: 19.0"
 Box Dimensions: 4.00"H x 8.00"W x 4.00"D



DABMAR LIGHTING INCORPORATED

320 Graves Ave . Oxnard, CA 93030 . 805.604.9090 . f: 805.604.9050 . www.dabmar.com
 4693 19th Street Ct E . Bradenton, FL 34203