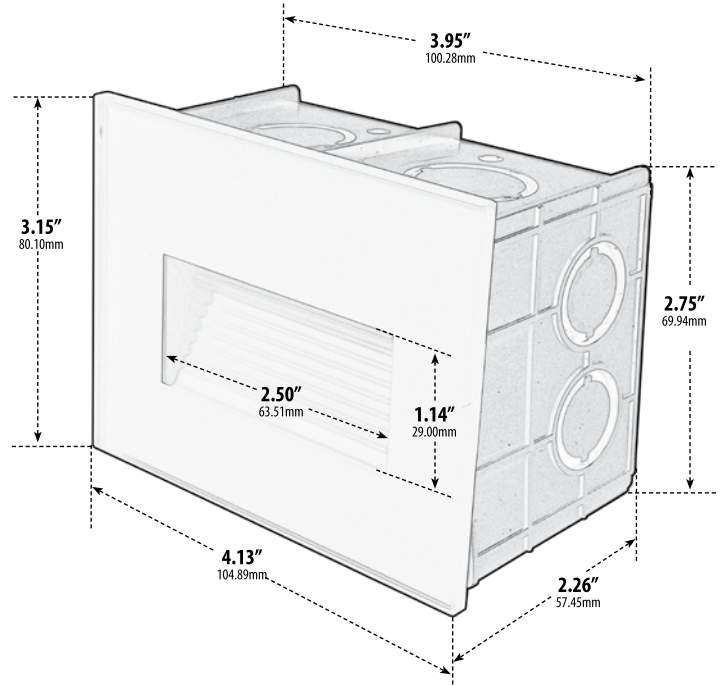


# LV654-LED3.5

## RECESSED BRICK, STEP AND WALL LIGHT



- ▶ **Material:** Glass & Polycarbonate
- ▶ **Lens:** Clear, Heat Resistant, Tempered Glass
- ▶ **Lamp:** Integrated LED 3000K

MODEL NUMBER	LAMP TYPE	ILLUMINANT TYPE	WATTS (W)	VOLTS (V)	LAMP(S) INCLUDED?
LV654-LED3.5	LED BOARD	6 LEDs	3.5	12	YES

- ▶ **Available Color:** Black, Bronze, White
- ▶ **Recessed Mount:** (Concrete)
- ▶ **Connector Available:** P-CN01 (sold separately)
- ▶ **ETL Approval Pending**

Overall Dimensions:  
3.15"H x 4.13"W x 2.26"D

Weight: 8.0oz  
Weight w/Box: 9.5oz  
Box Dimensions: 5.00"L x 3.50"W x 2.50"H

**DABMAR**  
LIGHTING

DABMAR LIGHTING INCORPORATED

320 Graves Ave . Oxnard, CA 93030 . 805.604.9090 . f: 805.604.9050 . www.dabmar.com