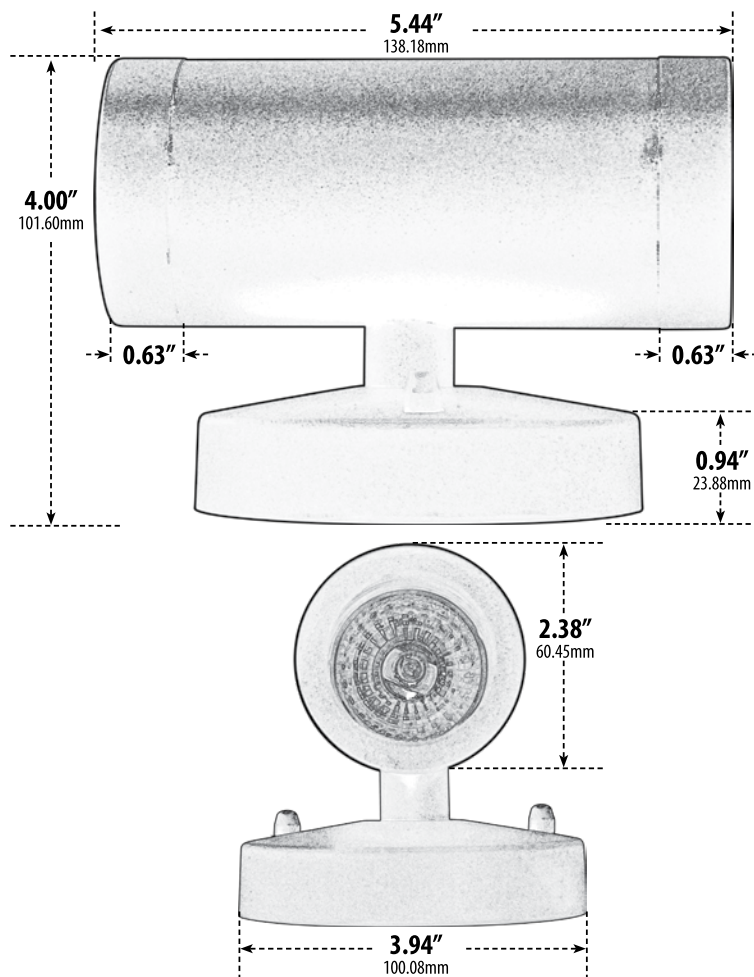


# LV49

## SURFACE MOUNT UP AND DOWN BRICK, STEP, WALL FIXTURE



- ▶ **Material:** Powder Coated Cast Aluminum
- ▶ **Lens:** Clear, Heat Resistant, Tempered Glass
- ▶ **Lamp:** MR16 Bi-Pin Base (2 x 20W Maximum) Available in 27K or 65K (LED)

| MODEL NUMBER   | LAMP TYPE | ILLUMINANT TYPE | WATTS (W) | VOLTS (V) | LAMP(S) INCLUDED? |
|----------------|-----------|-----------------|-----------|-----------|-------------------|
| LV49           | MR16      | HALOGEN         | 2 x 20    | 12        | YES               |
| LV49-LED3      | MR16-LED  | LED             | 2 x 3     | 12        | YES               |
| LV49-LED5      | MR16-LED  | LED             | 2 x 5     | 12        | YES               |
| LV49-LED7      | MR16-LED  | LED             | 2 x 7     | 12        | YES               |
| LV49-LED4-RGBW | MR16-LED  | LED             | 2 x 4     | 12        | YES               |

- ▶ **Available Finish:** Black, Bronze, White, Dabmar Verde Green, Electroplated Stainless Steel
- ▶ **RGBW Lamp Requires/Remote:** P-RMT-MR16-LED-4W-MC (sold separately)
- ▶ **Connector Available:** P-CN01 (sold separately)
- ▶ **ETL Approved**

Overall Dimensions:  
4.00"H x 5.44"W x 4.00"D

Weight: 1.00 lbs  
Approximate Wire Length: 5.00"  
Box Dimensions: 4.25"H x 5.50"W x 4.00"D  
Lamps Included

**DABMAR**  
LIGHTING

DABMAR LIGHTING INCORPORATED

320 Graves Ave . Oxnard, CA 93030 . 805.604.9090 . f: 805.604.9050 . www.dabmar.com  
4693 19th Street Ct E . Bradenton, FL 34203