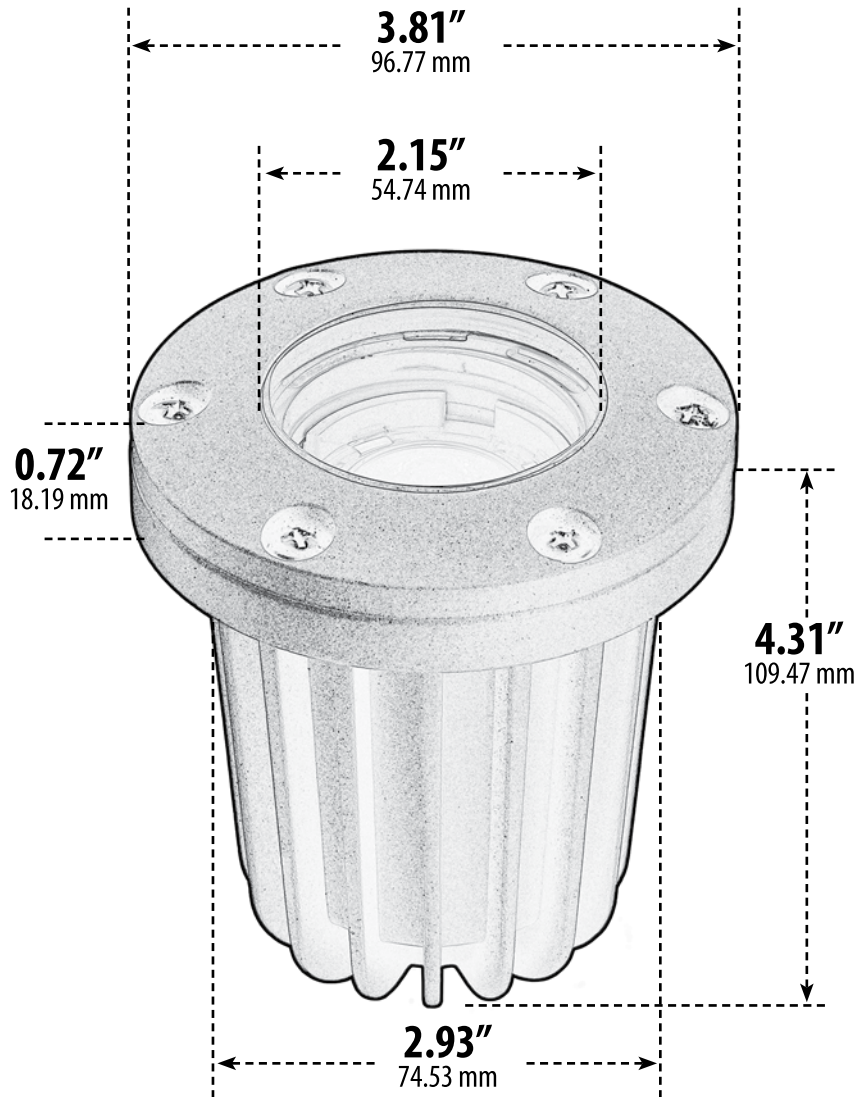


# LV348-LED10

## ADJUSTABLE LED WELL LIGHT



- ▶ **Material:** Cast Aluminum
- ▶ **Lens:** Clear, Heat Resistant, Tempered Glass
- ▶ **Lamp:** Intergrated LED Board

MODEL NUMBER	LAMP TYPE	ILLUMINANT TYPE	WATTS (W)	VOLTS (V)	LAMP(S) INCLUDED?
LV348-LED10	INTEGRATED	LED	10	12	YES

Pre-wired with UL Listed Direct Burial Wire/Cable

- ▶ **Installation Type:** Rated for In-Ground Soil and Concrete Applications
- ▶ **Color Temperature:** 4000K
- ▶ **Beam Angle:** 10° to 70°
- ▶ **Lumens:** 450Lm
- ▶ **Available Finish:** Bronze
- ▶ **UL Listed**



PC Sleeve included  
4.00" O.D. x 5.00"H

Overall Dimensions:  
4.31"H x 3.81"W x 3.81"D

Weight: 1lb 8oz  
Weight w/Box: 1lb 13oz  
Approximate Wire Length: 0"  
Box Dimensions:  
4.25"W x 7.38"H x 4.25"D

**DABMAR**  
LIGHTING

DABMAR LIGHTING INCORPORATED

320 Graves Ave . Oxnard, CA 93030 . 805.604.9090 . f: 805.604.9050 . www.dabmar.com  
4693 19th Street Ct E . Bradenton, FL 34203