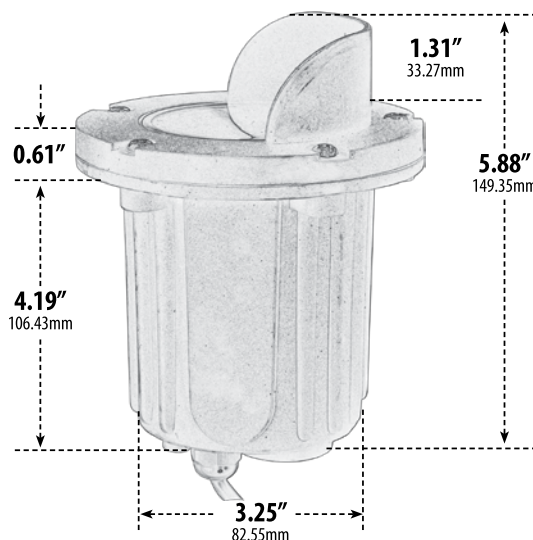
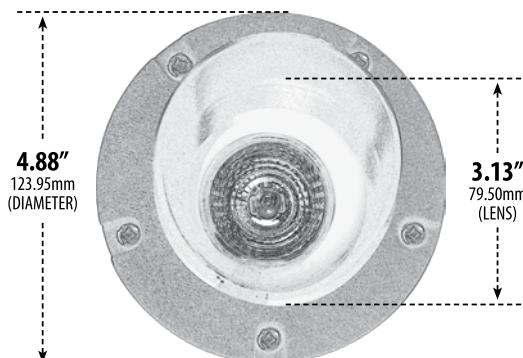


LV347

ADJUSTABLE IN-GROUND WELL LIGHT w/HOOD



- ▶ **Material:** Polybutylene Terephthalate (PBT)
- ▶ **Lens:** Clear, Heat Resistant, Tempered Glass
- ▶ **Lamp:** MR16 Bi-Pin Base (35W Maximum) LED Available in 27K or 65K

MODEL NUMBER	LAMP TYPE	ILLUMINANT TYPE	WATTS (W)	VOLTS (V)	LAMP(S) INCLUDED?
LV347	MR16	HALOGEN	20	12	YES
LV347-LED3	MR16-LED	LED	3	12	YES
LV347-LED5	MR16-LED	LED	5	12	YES
LV347-LED7	MR16-LED	LED	7	12	YES
LV347-LED4-RGBW	MR16-LED	LED	4	12	YES

Pre-wired with UL Listed Direct Burial Wire/Cable

- ▶ **Installation Type:** Rated for In-Ground Soil and Concrete Applications
- ▶ **Available Finish:** Black, Bronze
- ▶ **RGBW Lamp Requires/Remote:** P-RMT-MR16-LED-4W-MC (sold separately)
- ▶ **ETL Approved**

*Corrosion Resistant-Ocean Front Placement

Overall Dimensions: 5.88"H x 4.88"W x 4.88"D

Maximum Height: 5.88"

Width: 4.88"

Maximum Depth: 4.88"

Weight: 1.0 lbs

Approximate Wire Length: 17"

Box Dimensions: 6.63"H x 5.25"W x 5.00"D

DABMAR
LIGHTING

DABMAR LIGHTING INCORPORATED

320 Graves Ave . Oxnard, CA 93030 . 805.604.9090 . f: 805.604.9050 . www.dabmar.com

4693 19th Street Ct E . Bradenton, FL 34203